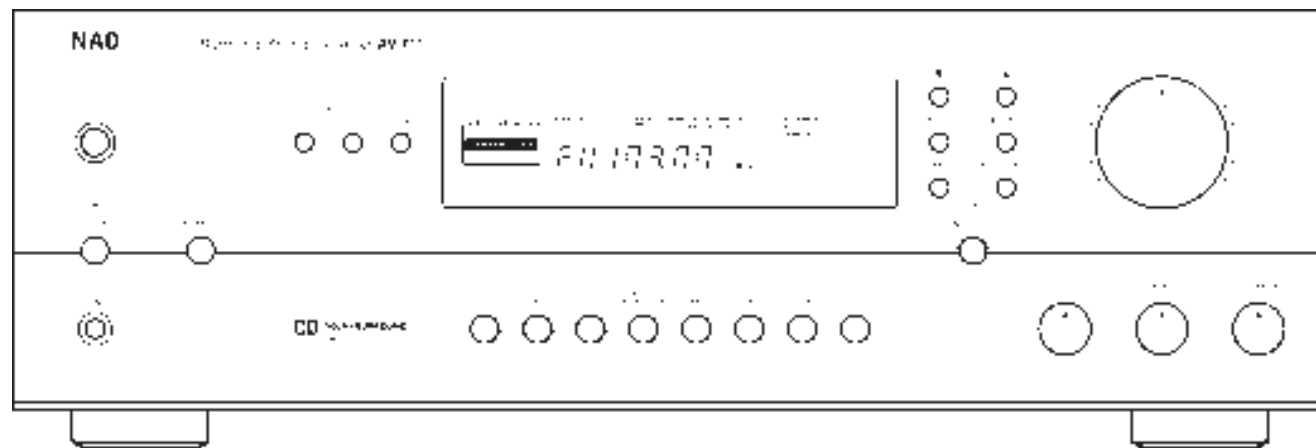


NAD AV 711



- GB • OWNER'S MANUAL**
- F • MANUEL D'INSTALLATION**
- D • BEDIENUNGSANLEITUNG**
- E • MANUAL DEL USUARIO**
- I • MANUALE DELLE ISTRUZIONI**
- S • BRUKSANVISNING**
- P • MANUAL DO PROPRIETÁRIO**

PRECAUTIONS AND SAFETY INSTRUCTIONS



CAUTION: TO REDUCE THE RISK OF ELECTRIC SHOCK, DO NOT REMOVE COVER (OR BACK).
ATTENTION: AFIN DE VITER UN CHOC ELECTRIQUE, ET LES CONSEQUENCES GRAVES QUI POURRAIENT EN RESULTER, TENEZ PAS D'OUVRIR L'APPAREIL ET DE TOUCHER AUX COMPOSANTS INTERNES SANS LA PRESENCE D'UNE SERVICE PERSONNEL.

WARNING: TO REDUCE THE RISK OF FIRE OR ELECTRIC SHOCK, DO NOT EXPOSE THIS UNIT TO RAIN OR MOISTURE.



The graphic symbol of a lightning flash with an arrow point within a triangle signifies that there is dangerous voltage within the unit and it poses a hazard to anyone removing the cover to gain access to the interior of the unit. **Only qualified service personnel should make any such attempt.**



The graphic symbol of an exclamation point within an equilateral triangle warns a user of the device that it is necessary to refer to the instruction manual and its warnings for proper operation of the unit.



Do not place this unit on an unstable cart, stand or tripod, bracket or table. The unit may fall, causing serious injury to a child or adult and serious damage to the unit. Use only with a cart, stand, tripod, bracket or table recommended by the manufacturer or sold with the unit. Any mounting of the device on a wall or ceiling should follow the manufacturer's instructions and should use a mounting accessory recommended by the manufacturer.

An appliance and cart combination should be moved with care. Quick stops, excessive force and uneven surfaces may cause the appliance and cart combination to overturn.

Read and follow all the safety and operating instructions before connecting or using this unit. Retain this notice and the owner's manual for future reference.

All warnings on the unit and in its operating instructions should be adhered to.

Do not use this unit near water; for example, near a bath tub, washbowl, kitchen sink, laundry tub, in a wet basement or near a swimming pool.

The unit should be installed so that its location or position does not interfere with its proper ventilation. For example, it should not be situated on a bed, sofa, rug or similar surface that may block the ventilation openings; or placed in a built-in installation, such as a bookcase or cabinet, that may impede the flow of air through the ventilation openings, there should be at least 20cm (8 in.) of free space behind the unit.

The unit should be situated from heat sources such as radiators, heat registers, stoves or other devices (including amplifiers) that produce heat.

The unit should be connected to a power supply outlet only of the voltage and frequency marked on its rear panel.

The power supply cord should be routed so that it is not likely to be walked on or pinched, especially near the plug, convenience receptacles, or where the cord exits from the unit.

Unplug the unit from the wall outlet before cleaning. Never use benzine, thinner or other solvents for cleaning. Use only a soft damp cloth.

The power supply cord of the unit should be unplugged from the wall outlet when it is to be unused for a long period of time.

Care should be taken so that objects do not fall, and liquids are not spilled into the enclosure through any openings.

This unit should be serviced by qualified service personnel when:

- (1) The power cord or the plug has been damaged; or
- (2) Objects have fallen, or liquid has been spilled into the unit; or
- (3) The unit has been exposed to rain or liquids of any kind; or
- (4) The unit does not appear to operate normally or exhibits a marked change in performance; or
- (5) The device has been dropped or the enclosure damaged.

DO NOT ATTEMPT SERVICING OF THIS UNIT YOURSELF. REFER SERVICING TO QUALIFIED SERVICE PERSONNEL.

Upon completion of any servicing or repairs, request the service shop's assurance that only Factory Authorized Replacement Parts with the same characteristics as the original parts have been used, and that the routine safety checks have been performed to guarantee that the equipment is in safe operating condition.

REPLACEMENT WITH UNAUTHORIZED PARTS MAY RESULT IN FIRE, ELECTRIC SHOCK OR OTHER HAZARDS.

CAUTION: TO PREVENT ELECTRIC SHOCK, MATCH WIDE BLADE OF PLUG TO WIDE SLOT, FULLY INSERT.

ATTENTION: POUR ÉVITER LES CHOC ÉLECTRIQUES INTRODUIRE LA LAME LA PLUS LARGE DE LA FICHE DANS LA BORNE CORRESPONDANTE DE LA PRISE ET POUSSER JUSQU'AU FOND.

If an indoor antenna is used (either built into the set or installed separately), never allow any part of the antenna to touch the metal parts of other electrical appliances such as a lamp, TV set etc.

CAUTION - POWER LINES: ANY OUTDOOR ANTENNA MUST BE LOCATED AWAY FROM ALL POWER LINES.

OUTDOOR ANTENNA GROUNDING

If an outside antenna is connected to your tuner or tuner-preamplifier, be sure the antenna system is grounded so as to provide some protection against voltage surges and built-up static charges. Section 810 of the National Electrical Code, ANSI/NFPA No. 70-1984, provides information with respect to proper grounding of the mast and supporting structure, grounding of the lead-in wire to an antenna discharge unit, size of grounding conductors, location of antenna discharge unit, connection to grounding electrodes and requirements for the grounding electrode.

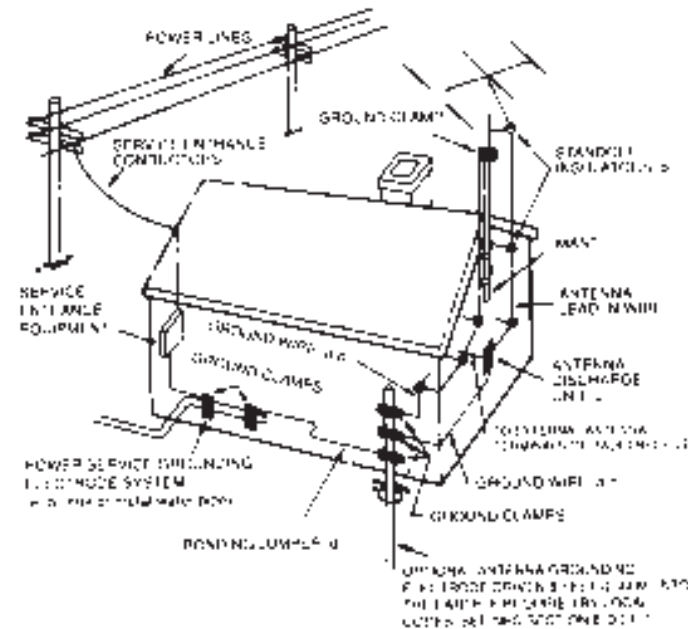
(1) Use No. 10 AWG (5.3mm²) copper, No. 8 AWG (8.4mm²) aluminium, No. 17 AWG (1.0mm²) copper-clad steel or bronze wire, or larger, as a ground wire.

(2) Secure antenna lead-in and ground wires to house with stand-off insulators spaced from 4-6 feet (1.22 - 1.83 m) apart.

(3) Mount antenna discharge unit as close as possible to where lead-in enters house.

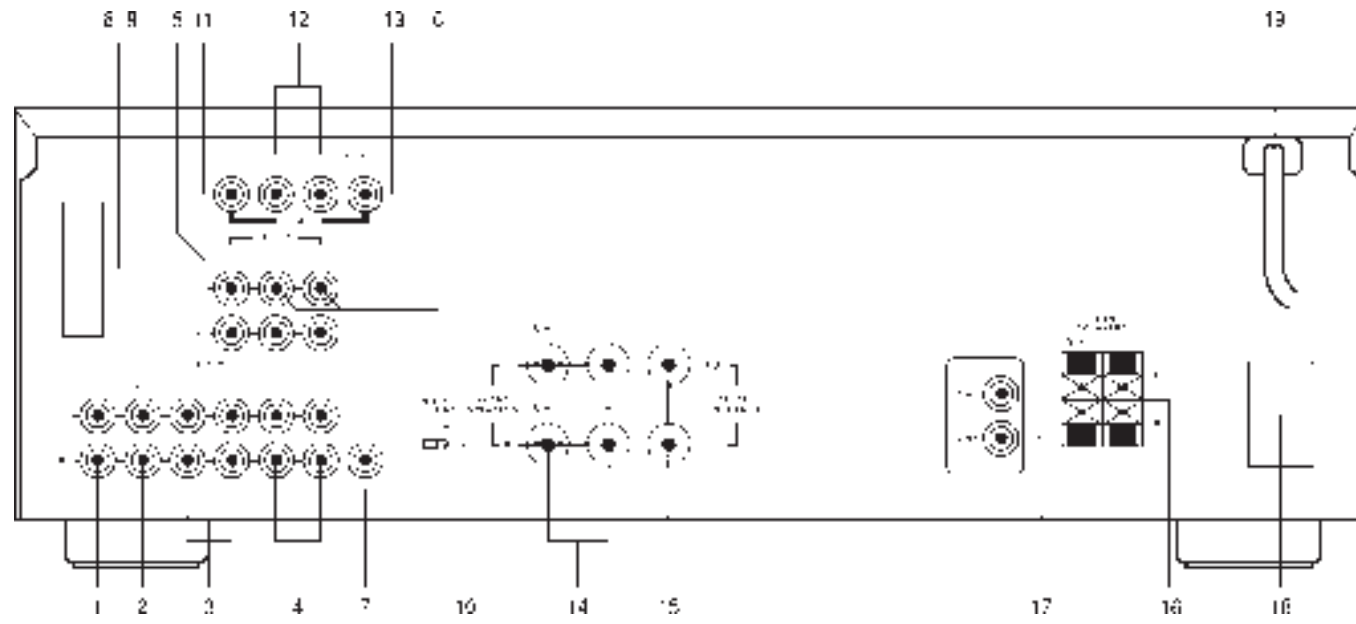
(4) Use jumper wire not smaller than No.6 AWG (13.3mm²) copper, or the equivalent, when a separate antenna-grounding electrode is used. See NEC Section 810-21 (j).

EXAMPLE OF ANTENNA GROUNDING AS PER NATIONAL ELECTRICAL CODE INSTRUCTIONS CONTAINED IN ARTICLE 810 - RADIO AND TELEVISION EQUIPMENT.



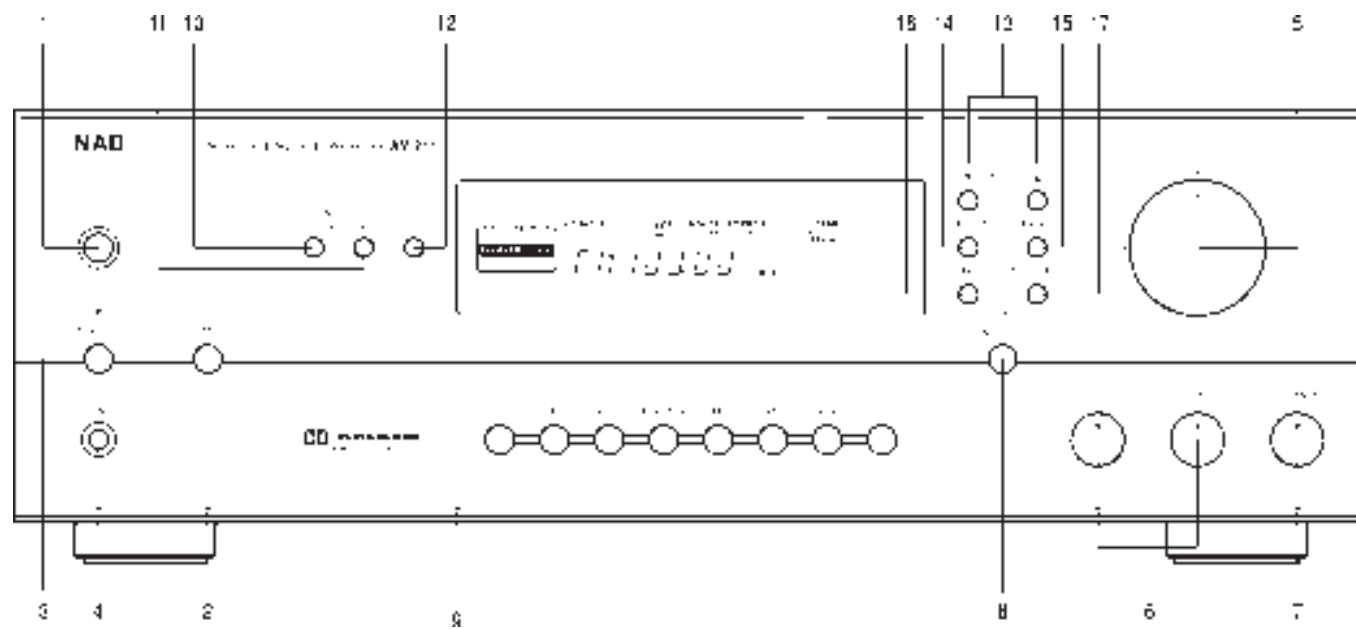
NOTE TO CATV SYSTEM INSTALLER: This reminder is provided to call the CATV system installer's attention to Article 820-22 of the National Electrical Code that provides guidelines for proper grounding and, in particular, specifies that the ground cable ground shall be connected to the grounding system of the building, as close to the point of cable entry as practical.

REAR PANEL CONNECTIONS



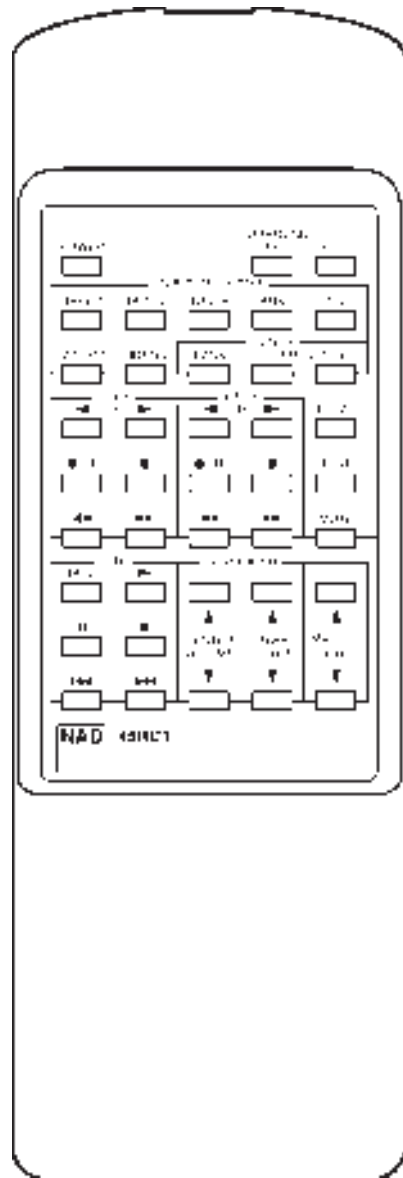
© 1996 NAD ELECTRONICS LTD. AV711

FRONT PANEL CONTROLS



© 1996 NAD ELECTRONICS LTD. AV711

REMOTE CONTROL




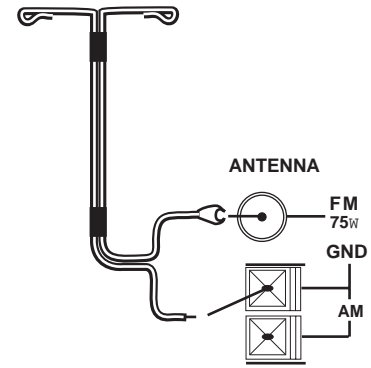
NL Batterij niet weggooien, maar inleveren als KCA 

FIGURE 1.

European and Australian models



U.S.A. and Canadian models

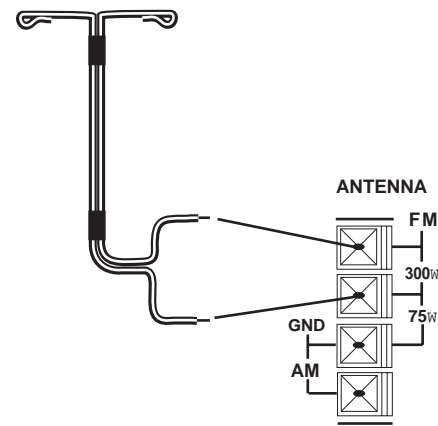


FIGURE 3.

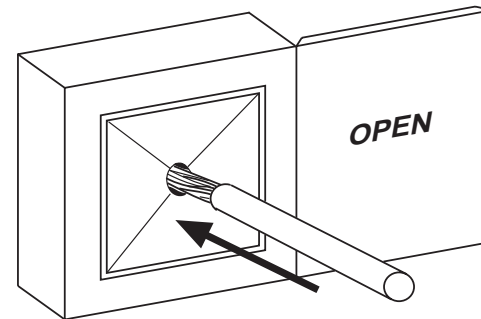
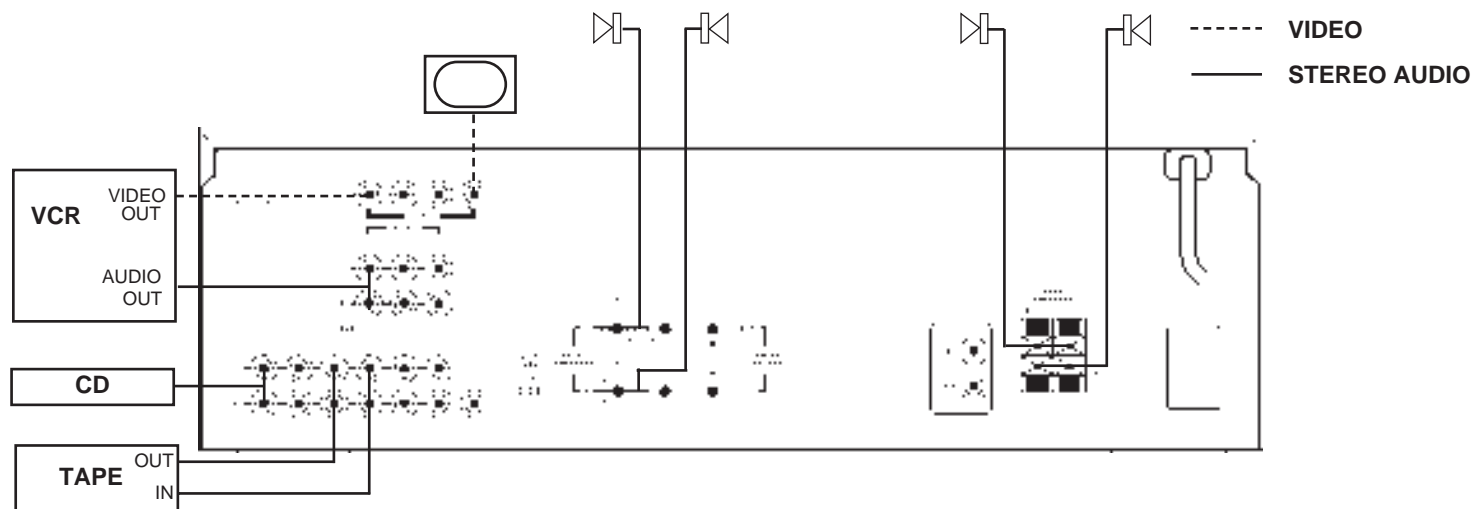


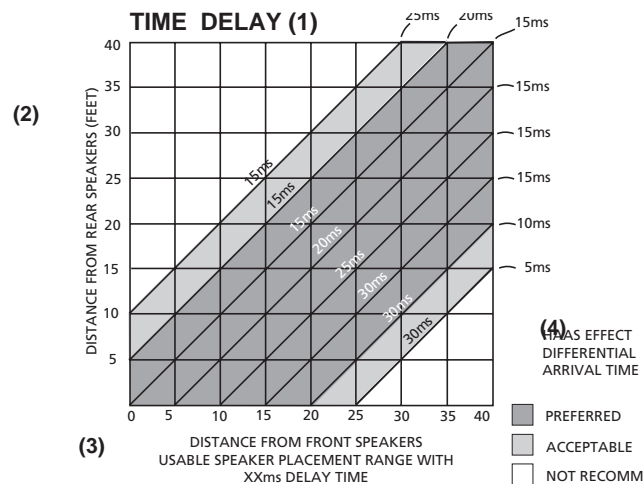
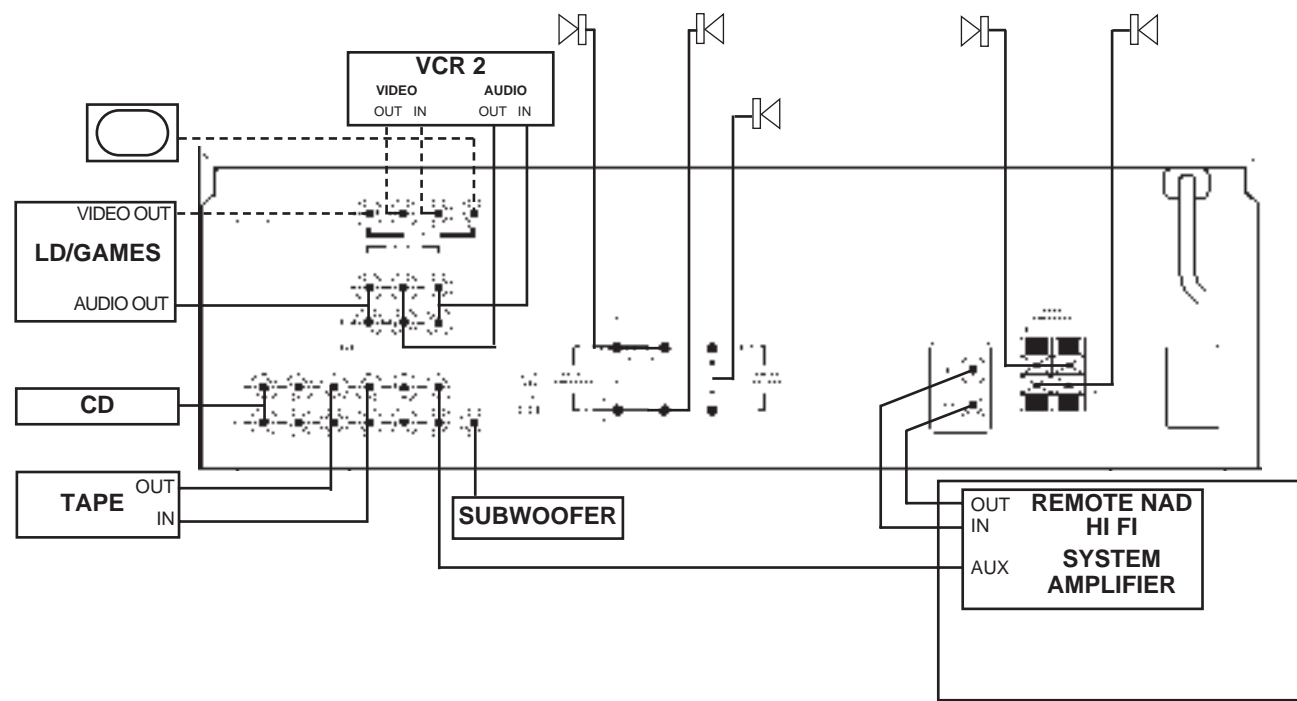
FIGURE 4.


(120V version only)

SIMPLE AV 711 SYSTEM



SOPHISTICATED AV 711 SYSTEM



- (1) RETARD TEMPS – ZEITSCHALLVERZUG – RETARDO TIEMPO – RITARDO TEMPO – TIDSFÖRDRÖJNING.
- (2) DISTANCE DES HAUTS-PARLEURS ARRIERE (PIEDS/METRES) – ABSTAND VON DEM HINTERGRUND-LAUTSPRECHERN – DISTANCIA DESDE ALTAVOCES TRASEROS (PIES) – DISTANZA DAGLI ALTOPARLANTI POSTERIORI (PIEDI) – AVSTÄND TILL SURROUNDHÖGTALRNA MÄTT I FOT (EN FOT = 30 cm).
- (3) DISTANCE DES HAUT-PARLEURS AVANT (PIEDS/METRES) PLAGE UTILISABLE POUR LA DISPOSITION DE HAUT-PARLEURS AVEC UN TEMPS DE RETARDO DE XXms. – ABSTAND VON DEN VORDERGRUND-LAUTSPRESCHERN (FUß) MÖGLICHE LAUTSPRECHERANDORDNUNG MIT SCHALLVERZUG VON XXms. – DISTANCIA DESDE ALTAVOCES DELANTEROS (PIES) GAMA DE COLOCACION DE ALTAVOCES UTILIZABLE CON TIEMPO DE RETARDO DE XXms – DISTANZA DAGLI ALTOPARLANTI ANTERIORI (PIEDEI) CAMPO EFFETTIVO DI PIAZZAMENTO ALTOPARLANTI CON COEFFICIENTE DI RETARDO XXms. – AVSTÄND TILL FRONTHÖFTALARNA MÄTT I FOT. ANDVÄNDBAR HÖGTALARPLACERING INOM XXms TIDSFÖRDRÖJNING.
- (4) TEMPS D'ARRIVEE DIFFERENTIEL AVEC EFFET DE HAAS/PREFERABLE/ACCEPTABLE/A EVITER – HAAS-EFFEKT-SCHALLVERZUG/OPTIMAL/AUSREICHEND/ UNGEEIGNET – EFFEC-TO HAAS TIEMPO DIFERECIAL DE LLEGADA/PREFERIDO/ACCEPTABLE/NO RECOMENDADO – TEMPO DI ARRIVO AIFFERENZIALE EFFETTO HAAS/PREFERITO/ACCET TABILE/NON RACCOMANDATO – ATT FÖREDRA/ACCEPTABELT/INTE ATT REKOMMENDERA



NAD AV 711 SURROUND SOUND RECEIVER

NOTES ON INSTALLATION.

Your AV 711 should be placed on a firm, level surface. Avoid placing the unit in direct sunlight, near sources of heat and damp or in poorly ventilated positions.

Switch the unit to off before making any connections. The phono connectors on your AV 711 are colour coded for convenience. Red and white are Right and Left audio, yellow is composite (line) video and NAD-Link.

Use high quality leads and connectors for optimum performance and reliability of connection. Audio phono leads will function correctly for video signals, although it is recommended to use dedicated video leads where possible. Ensure that leads and connectors are not damaged in any way and all connectors are firmly pushed home.

For best performance use quality speaker leads of at least 16 gauge thickness.

If the unit is not going to be used for some time, disconnect the plug from the AC socket.

Should water get into your AV 711, shut off the power to the unit and remove the plug from the AC socket. Have the unit inspected by a qualified service technician before attempting to use it again.

Do not remove the cover, there are no user-serviceable parts inside.

Use a dry soft cloth to clean the unit. If necessary, lightly dampen the cloth with soapy water. Do not use solutions containing benzol or other volatile agents.

REAR PANEL CONNECTIONS

1. CD INPUT

Input for CD player (analogue audio signal) or other line-level signal source. Use a twin phono-to-phono lead to connect the CD player left and right 'Audio Outputs' to this input.

2 AUX INPUT

Input for audio components. Use a twin phono-to-phono lead to connect the audio component left and right 'Audio Outputs' to this input.

3. TAPE 1

Connections for analogue recording and playback to an audio tape recorder of any type, such as a cassette, reel-reel, DAT, MD or DCC. Using twin phono-to-phono leads, connect to the left and right 'Audio Output' of the tape machine to the TAPE 1 IN connectors for playback. Connect the left and right 'Audio Input' of the tape machine to the TAPE 1 OUT connectors for recording.

4. TAPE 2

Connections for analogue recording and playback to a second audio tape recorder of any type. Using twin phono-to-phono leads, connect to the left and right 'Audio Output' of the tape machine to the TAPE 2 IN connectors for playback. Connect the left and right 'Audio Input' of the tape machine to the TAPE 2 OUT connectors for recording.

5. VIDEO 1 (AUDIO)

Inputs for the audio playback from a VCR or other video device such as a stereo TV, satellite or cable TV receiver or a Laser Disc. Using twin phono-to-phono leads, connect to the left and right 'Audio Out' of the VCR/TV/LD/satellite receiver to these inputs. These audio inputs are used in conjunction with the composite (line) video inputs marked VIDEO 1. VIDEO 1 is used for playback only, use VIDEO 2 if you want to connect a VCR for recording and playback through the AV 711.

6. VIDEO 2 (AUDIO)

Connections for the audio recording and playback to a VCR or other video recorder. Using twin phono-to-phono leads, connect to the left and right 'Audio Out' of the VCR to the VIDEO 2 IN connectors for playback. Connect the left and right 'Audio In' of the VCR to the VIDEO 2 OUT connectors for recording. These audio inputs are used in conjunction with the composite (line) video inputs marked VIDEO 2 IN and the video outputs marked VIDEO 2 OUT.

7. SUB WOOFER OUT

Additional line output for connection to a sub-bass speaker system with its own power amplifier.

8. AM ANTENNA

An AM loop antenna is supplied with the AV 711 and is required for AM reception. Open the clip terminal lever and insert the wire from the antenna. Closing the lever will lock the wire in place (Fig. 2). If your AV 711 is a U.S.A. or Canadian model, while pressing down the lever, insert the wire. Release the lever to lock the wire in place. Test various positions for the antenna, but always ensure the loop is placed vertically for best reception. Placing the antenna close to large metal items such as metal shelves or radiators may interfere with reception.

9. FM ANTENNA

A ribbon wire FM antenna is included and should be connected to the FM connector at the rear of the unit (Fig. 1). The ribbon aerial should be mounted on a vertical surface and placed so that it forms a 'T'.

Experiment with placement of the antenna to find the position that gives the best signal strength and lowest background noise. An inadequate FM signal normally results in high levels of hiss, especially in stereo, and interference from external electrical sources. In areas of poor FM reception, the tuner section's performance can be improved by using an externally mounted FM antenna. A qualified aerial installer will be able to advise and fit a recommended aerial for your reception conditions.

10. SOFT CLIPPING

When an amplifier is driven beyond its specified power output, a hard distorted sound can be heard on very loud sounds. This is caused by the amplifier cutting off or 'hard clipping' the peaks of sound that it was not designed to reproduce. The NAD Soft Clipping circuit gently limits the output of the system to minimize audible distortion if the amplifier is overdriven.

If your listening involves moderate power levels you may leave the Soft Clipping switch off. If you are likely to play at high levels that exceed the amplifier's power capability, then switch Soft Clipping on.

11. VIDEO 1 (VIDEO)

Connection for the Line (Composite) video signal input for VIDEO 1. Using a phono lead, connect the 'Video Out' of the VCR, TV, Laser Disc or satellite/cable unit. VIDEO 1 can be used for video playback only. Use VIDEO 2 if you want to connect a VCR for recording and playback through the AV 711.

12. VIDEO 2 (VIDEO)

Connection for the Line (Composite) video signal input for VIDEO 2. Using a phono lead, connect the 'Video Out' of the VCR to VIDEO 2 IN for playback. Connect VIDEO 2 OUT to the 'Video In' of the VCR to copy video signals from VIDEO 1.

13. MONITOR OUT

Composite (line) video output for connecting a TV or Video Monitor to view video sources connected to VIDEO 1 or VIDEO 2. Using a phono lead, connect the 'Video Line In' on the TV or monitor to the MONITOR OUT. This output can also be used as an additional recording output if required. Video monitoring must then be done via the output of the video recorder.

14. FRONT SPEAKERS

These speaker outputs are switched on and off by using the SPEAKERS button on the front panel.

Connect the right speaker to the terminals marked 'R +' and 'R -' ensuring that the 'R +' is connected to the '+' terminal on your loudspeaker and the 'R -' is connected to the loudspeaker's '-' terminal. Connect the terminals marked 'L +' and 'L -' to the left speaker in the same way.

Always use heavy duty (16 gauge or thicker) stranded wire to connect loudspeakers to your AV 711.

Unscrew the speaker terminal's plastic bushing. Insert the pin or bare cable end into the hole of the terminal and then secure the cable by tightening down the terminal's bushing (Fig. 3).

To avoid any danger of bare metal from the speaker cables touching the back panel or another connector, ensure that there is only 1/2" (1.27cm) of bare cable or pin and no loose strands of speaker wire.

CAUTION: This unit is designed to produce optimum sound quality when speakers with impedances within the set ranges are connected. Please check the following information and choose speakers with the necessary impedances for the connections.

FRONT SPEAKERS: 4 ohms min. per speaker

CENTER SPEAKER: 8 ohms min.

REAR SPEAKERS: 4 ohms min. per speaker

15. CENTER SPEAKER

This connects the center loudspeaker that is used when the AV 711 is operated in Dolby Pro Logic or

Dolby 3 stereo mode. Connect the 'Center +' to the '+' terminal on your center loudspeaker and the 'Center -' to the loudspeaker's '-' terminal.

Strip 15mm of insulation from the end of the speaker cable and twist the bare wires so that there are no loose strands. These terminals operate in the same way as the Front Speaker terminals. These speakers operate in conjunction with the Front Speakers and are switched on and off by using the SPEAKERS button on the front panel.

16. REAR SPEAKERS

This connects the rear loudspeakers that are used when the AV 711 is operated in Dolby™ Pro Logic or Hall modes. Connect the right rear speaker to the terminals marked 'R +' and 'R -' ensuring that the 'R +' is connected to the '+' terminal on your loudspeaker and the 'R -' is connected to the loudspeaker's '-' terminal. Connect the terminals marked 'L +' and 'L -' to the left speaker in the same way. Strip 8mm of insulation from the end of the speaker cable and twist the bare wires so that there are no loose strands. Push down the clip terminal lever and insert the wire. Releasing the lever will lock the wire in place. These speakers operate in conjunction with the Front Speakers and are switched on and off by using the SPEAKERS button on the front panel.

*Manufactured under license from Dolby Laboratories Licensing Corporation. "Dolby", the double-D symbol "D" and "Pro Logic" are trademarks of Dolby Laboratories Licensing Corporation.

17. NAD-LINK IN OUT

The NAD-Link connector is used to pass commands from the remote control to and from other units fitted with NAD-Link connectors. This allows centralised control of a complete system or gives system control from more than one room. To function with other units, connect the AV 711's NAD-Link OUT to NAD-Link IN on the other unit. NAD-Link connectors can be daisy-chained, IN to OUT, so that a whole system can be controlled from the remote control facilities of one unit.

A single NAD-Link connection from a hi-fi system in a second room will allow remote control of Multi Room systems.

18. AC OUTLETS (US & CANADIAN VERSIONS ONLY)

The AC power cords of other units in the audio system can be connected directly to the AV 711's unswitched AC outlets. If another stereo component is plugged into the UNSWITCHED AC outlet, power will be supplied whether your AV711 is on or off.

The unswitched AC outlets should be used with units with a COMBINED power consumption of no more than 120 Watts.

19. AC POWER CORD CONNECTOR

After you have completed all connections to the amplifier, plug the AC line cord into a "live" wall socket or into a heavy-duty extension cord which can be connected to a wall socket.



FRONT PANEL CONTROLS.

POWER, SPEAKERS AND HEADPHONE FUNCTIONS.

1. POWER

Press this button to switch the unit on. To switch the unit off, press this button again.

2. SPEAKERS

The SPEAKERS button turns the speakers connected to the FRONT, CENTER and REAR SPEAKERS terminals on or off. When the speakers are turned on, the SPEAKERS indicator lights up.

3. STANDBY

The green standby indicator shows that power is being supplied to the AV 711, but the system is currently off. Pressing the STANDBY switch turns the unit on and the display panel will indicate AV 711's current settings.

Pressing the STANDBY switch again will turn the AV 711 back into Standby mode. In Standby, the AV 711 stores the current input and mode settings in a non-volatile memory and re-selects these modes when it is next switched on. The AV 711 also uses the non-volatile memory to store pre-set information, both for the tuner and for the Dolby Pro Logic set-up, so that this information is not lost when the unit is switched off or disconnected from AC supply. Note that the information is stored for only two weeks when the unit is switched off or disconnected from the AC supply. During normal operation the standby indicator lights to show when a signal is being received from the Remote Control.

CAUTION: When in standby, power is still supplied to the AV 711. Switch off or disconnect the AV 711 from the AC outlet when it is not being used for long periods of time.

4. HEADPHONE SOCKET

A 1/4" stereo jack socket is supplied for headphone listening. The socket has its own amplifier which will drive conventional headphones of any impedance. It takes its signal from the front left and right channels and works on all inputs, although any surround mode will be heard as two channel stereo. The volume and tone and balance controls are operative for headphone listening. Use a suitable adapter to connect headphones with other types of connectors such as 3.5mm stereo 'personal stereo' jack plugs.

WARNING: Listening at high levels can damage your hearing.

VOLUME, BALANCE AND TONE FUNCTIONS

5. VOLUME

The VOLUME control adjusts the overall loudness of the signals being fed to the loudspeakers. The VOLUME control does not affect recordings made using the Tape or Video line outputs.

6. BASS & TREBLE CONTROLS

The AV 711 is fitted with BASS and TREBLE tone controls to adjust the overall tonality of your system.

The 12 o'clock position is 'flat' with no boost or cut and a detent indicates this position. Rotate the control clockwise to increase the amount of Bass or Treble. Rotate the control anti-clockwise to decrease the amount of Bass or Treble. These controls affect the Left and Right front speakers only. In Dolby Pro Logic, Dolby 3 Stereo or Hall modes, the Center and Surround speakers maintain a 'flat' response, regardless of the tone control settings. The Tone controls do not affect recordings made using the Tape or Video line outputs.

7. BALANCE

The BALANCE control adjusts the relative levels of the Left and Right front speakers. The 12 o'clock position provides equal level to the Left and Right channels. A detent indicates this position.

Rotating the control clockwise moves the balance towards the right. Rotating the control anti-clockwise moves the balance to the left. The BALANCE control does not affect recordings made using the Tape or VCR line outputs.

8. TONE DEFEAT

The TONE DEFEAT switch by-passes the tone control section of the AV 711. If the Tone Controls are not normally used and left in the 12 o'clock position, then it is advisable to switch out the Tone Control section altogether by using this switch. In the 'out' position, the Tone Control circuits are active, pushing the TONE DEFEAT switch in bypasses the Tone Control section. The Display Panel indicates when Tone Defeat is on.

INPUT AND MONITOR SELECTORS

9. VIDEO 1, VIDEO 2, TAPE 1, TAPE 2 MONITOR, FM, AM, AUX, CD

These buttons select the active input to the AV 711 and the signal sent to the loudspeakers and the Tape, Video 2 and TV monitor outputs.

The name of the Input and Surround Mode will be shown in the Display Panel.

VIDEO 1

Selects the signal from stereo TV/Satellite/Cable receiver or Laser Disc connected to VIDEO 1 as the active input.

VIDEO 2

Selects the VCR connected to VIDEO 2 as the active input. Video 1 or 2 is shown in the Display Panel when these are selected.

TAPE 1

Selects Tape 1 as the active input.

TAPE 2 MONITOR

Selects the signal from output of the Tape 2 tape machine. TAPE 2 MONITOR feeds the signal directly to the AV 711's main amplifiers and does not override the current input selection. If the CD is the active input when TAPE MONITOR is selected, then the

CD signal will continue to be sent to the recording outputs of TAPE 1, TAPE 2 and VIDEO 2, whilst the Tape 2 signal will be heard on the loudspeakers and headphones. T-2 Monitor will be shown in the Display Panel when TAPE 2 MONITOR has been selected.

FM

Selects FM radio. This is also automatically selected when an FM Preset is selected.

AM

Selects AM radio. This is also automatically selected when an AM Preset is selected.

AUX

Selects the auxiliary audio component as the active input.

CD

Selects the CD as the active input.

SURROUND FUNCTIONS

10. SURROUND

The SURROUND button selects the AV 711's surround mode. Pressing the SURROUND button pages through the four modes: DOLBY PRO LOGIC, DOLBY 3 STEREO, HALL and BY-PASS (normal Stereo).

DOLBY PRO LOGIC and DOLBY 3 STEREO decodes the surround sound signals encoded in movie sound tracks from video or TV. To decode correctly, the video or TV signal must be of a Dolby Surround or Dolby Stereo soundtrack and coming from a stereo VCR, TV or satellite/cable receiver.

HALL mode produces a surround sound effect from a normal stereo source such as a CD or FM radio.

BY-PASS switches to normal Stereo operation.

The selected mode is displayed in the main area of the Display Panel for 3 seconds and is continuously shown in Surround Mode area of the Display Panel.

As an additional convenience feature, your AV 711 memorizes which surround mode you have used with the given input selection. When you next select that input, your AV 711 will automatically choose the same Surround mode again. If you normally use Dolby Pro Logic mode on the Video 1 and Video 2 inputs, Dolby 3 Stereo mode on the Video 1 input, Hall mode on FM, and By-Pass (Stereo) on the others, pressing the Input Selector will automatically default to the right Surround mode without having to separately press the Surround Mode button.

11. CENTER

Selects the type of centre speaker used on the main speaker system. Pressing the CENTER button pages through the three options: NORMAL, PHANTOM and WIDEBAND. For Dolby Pro Logic use NORMAL, WIDEBAND, PHANTOM and for Dolby 3 Stereo use NORMAL, WIDEBAND.

NORMAL mode is used when the center speaker is smaller than the front left and right speakers. This mode produces a true center image with the very low frequencies (below 70Hz) filtered out.

WIDEBAND mode is used when the center speaker is the same type as the front left and right speakers.

This mode produces a true center image with a full frequency range and no low frequency filtering.

PHANTOM mode is used when there is no center speaker. The AV 711 places the center information equally on the left and right front speakers so producing a 'Phantom' central sound image.

The selected Center Mode is displayed for 3 seconds in the main area of the Display Panel. It is stored in the AV 711's memory and will be automatically recalled each time the unit is switched on. This function can be altered only when the AV 711 is in DOLBY PRO LOGIC or DOLBY 3 STEREO mode.

12. DELAY

Selects the amount of delay applied to the surround speakers when the AV 711 is used in DOLBY PRO LOGIC or HALL modes.

Pressing the DELAY button steps the Delay times in 5mS steps from 5mS to 30mS for Hall mode and from 15mS to 30mS for Dolby Pro Logic mode. Separate delay times can be stored for DOLBY PRO LOGIC and HALL modes and are held in the AV 711's memory. They are automatically recalled each time the DOLBY PRO LOGIC or HALL mode is selected. This function can be altered only when the AV 711 is in DOLBY PRO LOGIC or HALL Mode. (see: SETTING UP THE SURROUND SYSTEM)

TUNER.

9. AM AND FM INPUT

Press the AM or FM button to switch the AV 711 to the required tuner operation. The Display Panel shows the frequency of the tuned station and which Preset and Preset bank (if any) is selected.

13. TUNE ▲▼

For tuning to the required station and to select Preset stations. There are two tuning modes: Manual and Search. Pressing the button repeatedly increases or decreases the tuning frequency in 50kHz steps (or 100kHz for USA and Canada) in FM and 9kHz (or 10kHz for USA and Canada) steps in AM.

Search. Holding the button down for more than 1/2 second puts the tuner section into Search mode. It will search through the tuning frequencies and stop when it finds a broadcast station. When a station is captured, the TUNED indicator will show in the Display Panel.

14. PRESET

Press PRESET to recall or program a Preset radio station. The 30 Presets can be AM or FM stations and are stored in three Preset Banks, which can contain up to 10 Preset stations. The Preset number is shown in the Display Panel.

15. BANK

Press BANK to switch between the three banks (A, B or C) of tuner presets. For convenience you could use two Banks for FM stations and one Bank for AM, although a mix of FM and AM stations can be stored in any single Bank of presets. The selected Bank is shown in the Display Panel.



16. MEMORY

Used for storing new Preset stations.

17. FM MUTE/MODE

Switches the FM tuner section between Mute On/Stereo and Mute Off/Mono operation. In normal (FM MUTE ON) operation, during the tuning process the tuner will mute when there is little or no signal present, giving silence until a station with a reasonably strong signal is found. Pressing FM MUTE/MODE will switch off the mute function so that very weak stations can be located. FM MUTE OFF also switches off the FM stereo function.

When a stereo FM signal is being received, your AV 711 will automatically switch to Stereo FM operation, which will be shown by STEREO indicator in the Display Panel. Weak stereo signals may have a high level of background hiss. Switching the AV 711 to FM MUTE OFF will switch the tuner to mono and cancel the background noise.

The status of the FM MUTE function is shown in the Display Panel.

FINDING AND STORING AM & FM STATIONS

You can use the Manual tune to select a known station's frequency or Search mode to automatically look for stations that are transmitting in your area, and then use the MEMORY button to store them into the AV 711's memory.

First select the AM or the FM band using the AM or FM Input buttons. Press TUNE ▲ or ▼ button for 1/2 second to start the tuner searching through the frequency band. When the tuner finds a broadcast signal of adequate strength, the automatic search stops at that station. To store that station as a Preset, press the MEMORY button. The MEMORY and PRESET indicator lights and preset number lights flash for 8 seconds or whilst you are entering Preset information.

Press the BANK button to select which Bank of Presets you wish to store the station. Press the TUNE ▲ or ▼ button to select which Preset number you wish to assign to the station. The current Preset number is shown in the Display Panel.

Press the MEMORY button again to store the station's frequency as the chosen Preset. The AV 711 will then revert to normal operation.

The Preset information will be held in the AV 711's memory until you actively clear the Preset.

RECALLING PRESET STATIONS.

To recall any of the Preset stations press the PRESET button. The PRESET Indicator will light and the most recently used tuner Preset will be recalled. To select another Preset station, first select the Bank that the station is stored in by pressing the BANK button. Then press TUNE or ▼ button to page through the available settings until the required Preset number is shown in the Display Panel. The AV 711 only pages through Presets that are tuned to stations and will skip past empty Presets.

Using the remote control; press the BANK button and choose the bank group, and then press the PRESET (+ or – button).

CLEARING PRESETS.

First select the Preset station. Hold down the MEMORY button and press the FM MUTE/MODE button. The Preset number will then disappear from the Display Panel and the Preset will be emptied.

SLEEP AND MUTE FUNCTIONS

Buttons for the SLEEP and MUTE functions only appear on the Remote control.

SLEEP

Press SLEEP to make the AV 711 automatically switch off after a preset number of minutes. Pressing the SLEEP button once will set the sleep time to 90 minutes, after which the AV 711 will automatically switch off into Standby mode. Sleep mode and the Sleep delay is shown on the Display Panel. To adjust the Sleep Delay, hold down the SLEEP button. This will reduce the sleep time in 10 minute increments, as shown in the Display Panel. To cancel the Sleep mode, continue pressing the SLEEP button until the source name appears in the Display Panel. Pressing the POWER or STANBY button will also cancel the Sleep mode.

MUTE

Press the MUTE button to temporarily switch off the sound to the speakers and headphones. AUDIO MUTE indicator will flash in the Display Panel when the unit is in Mute mode. Press MUTE again to restore sound.

SETTING UP THE SURROUND SYSTEM.

To work at its best, the output levels of the AV 711's surround facilities need to be adjusted so that there is an even balance of sound from all the speakers in the system. The Delay time for the Surround speakers also needs to be correctly set for your normal listening position.

The adjustment of speaker levels is done using the Test and Speaker Level adjust functions on the Remote Control.

It is important first to correctly phase all the speakers in the system. Check that the positive (+) terminals of the amplifier speaker outputs are connected to the positive (+) connector on the each of the speakers.

Before starting the set-up procedure, ensure that the CENTER mode is set correctly for your speaker configuration. TONE DEFEAT should be ON and the BALANCE control set to the position normally used for stereo sources (usually the 12 o'clock position).

USING TEST TO SET UP THE SURROUND SYSTEM LEVELS.

With the speakers connected and the VOLUME turned down to zero, select DOLBY PRO LOGIC or DOLBY 3 STEREO mode and press TEST on the

Remote Control. This generates a test signal that is fed to each of the speaker channels in turn (left, center, right and surround for Dolby Pro Logic, left, center, right for Dolby 3 Stereo), so that each can be adjusted for equal loudness at your listening position. The Display Panel shows which speaker is being fed with the test signal.

Turn the VOLUME up until the signal is moderately loud through the left and right speakers. When the Test signal reaches the Center speaker, press the CENTER VOLUME ▲ or ▼ button on the Remote Control to adjust the Center speaker's loudness so that it matches the levels being produced by the left and right speakers. The relative level of the Center channel is shown in the Display Panel and can be changed in dB steps. Below -20dB the increments become progressively coarser.

When you have finished adjusting the level of the Center channel, the Test signal will automatically continue switching between the speakers. If you are unhappy with your initial setting, repeat the procedure until the levels match.

Repeat the operation to set the surround speaker level using the REAR VOLUME ▲ or ▼ button on the Remote Control. When selecting Dolby Pro Logic modes, the adjustment will affect the level of both surround speakers simultaneously.

A more accurate adjustment can be made using a sound level meter, if available. Set the meter to 'Slow' and 'C-weighted' modes and re-check the settings with the meter placed in several different positions in the general listening area.

If a Sub-Woofer is used on the system, adjust the Sub-Woofer's level control so that it is audible, but does not dominate the sound. Sub-Woofer levels can be later fine-tuned using programme material.

SETTING THE SURROUND DELAY.

Because the Surround speakers are usually closer to the listener than the Front speakers, there is a tendency for the ear to localise sounds to the rear, because the ear takes most notice of the sounds that arrive at the head first. To resolve this problem, the Dolby Pro Logic circuit includes a Surround delay. This ensures sound coming from the surround speakers always arrives at the listener's ears after the sound from the front speakers.

The exact amount of delay required depends on the relative distances between the Front and surround speakers and the listening position in the room.

First make a note of the distance between the surround speakers and the listening position. Now make a note of the distance between the front speakers and the listening area. Note where the two distances intersect this will give the correct Delay setting (see Page 5).

To adjust the Delay setting, put the AV 711 into Dolby Pro Logic mode and press DELAY on the front panel or the Remote Control. Continue pressing DELAY until the correct value is shown in the Display Panel.

Level and Delay settings are stored in the AV 711's memory. They are automatically recalled when the unit is switched on.

For your reference, use the boxes overleaf to make a note of your settings. If they are accidentally altered, you can reset them without having to run the Test procedure.

REMOTE CONTROL

The 45RC1 Remote Control handles all the key functions of the AV 711 and has additional controls to remotely operate NAD Cassette and CD machines. It will operate up to a distance of 16ft (5m).

The subsidiary mode, and set-up functions have black buttons. Power, Master Volume and Record (for an associated NAD cassette deck) are in red.

Refer to previous sections of the manual for descriptions of individual functions.

POWER Switches the AV 711 between On and Standby.

SURROUND MODE Selects Dolby Pro Logic, Dolby 3 Stereo, Hall or By-Pass modes.

SLEEP Sets the AV 711 into SLEEP mode.

INPUT SELECTOR

TAPE 1 Selects Tape 1 as the active input.

TAPE 2 Selects Tape 2 monitor.

TUNER Tuner as the active input.

AUX Selects audio source as the active input.

CD Selects CD as the active input.

VIDEO 1 Selects VIDEO 1 as the active input.

VIDEO 2 Selects VIDEO 2 as the active input.

TUNER

BANK Selects a Tuner Preset Bank

PRESET + - Selects a Tuner Preset

CASSETTE DECK CONTROL

(for use with NAD Cassette Deck)

DECK A, DECK B When only one Tape deck is connected, use Deck B controls.

◀ Reverse Play

▶ Forward Play

●/|| Record & Pause

■ Stop

◀◀ Rewind

▶▶ Fast Forward

Date:	SURROUND	CENTER	DELAY (ms)
DOLBY PRO LOGIC			
DOLBY 3 STEREO	_____		_____
HALL		_____	



CD PLAYER CONTROL (for use with NAD CD Player)

DISC	Next disc (for NAD CD changers)
▶	Play
	Pause
■	Stop
⏮	Previous Track
⏭	Next Track
DELAY	To set Delay time.
TEST	Starts the Surround Set-up Test procedure.
MUTE	Mutes all audio.
CENTER VOLUME ▲▼	Adjusts the relative level of the Center channel speaker.
REAR VOLUME ▲▼	Adjusts the relative level of the Surround speakers.
MASTER VOLUME ▲▼	Increases or decreases the Volume setting, using the motorised front panel Volume control.

BATTERIES

Alkaline batteries are recommended for maximum operating life. The two AA (R6) batteries are contained in the battery compartment at the rear of the Remote Control. When replacing batteries, check that they have been put in the right way round, as shown on the base of the battery compartment.

APPENDIX

A SHORT GUIDE TO SURROUND SOUND.

Since the middle of the 1970's, film companies have been making movies in increasing numbers in Dolby Stereo, the four channel surround sound system available in most movie theaters today.

Fortunately it is a simple operation to take the film's Dolby Stereo soundtrack and place it on a stereo VHS video tape, Laser Disc or Video-CD. The sound track does require some conversion for home use, and the domestic version of Dolby Stereo is called Dolby Surround.

Today, most video copies of movies also contain this surround information originally designed for the movie theater. As well as videos, Dolby Surround is also being used on TV programmes and on music CDs, and all of these can be decoded using your AV 711.

Unlike the quadraphonic systems which tried to produce pin-point sounds coming from all directions, Dolby Surround is designed to give you a clear front image with the Surrounds filling the room with atmospheric sound.

For best results, the Surround loudspeakers should not beam the sound directly at the listener. One way of achieving this is to use 'dipole' Surround speakers which aim the sound down the walls rather than directly into the room. An alternative is to use standard small loudspeakers for Surrounds, but not to point them directly at the listening position. It is always worth experimenting with various Surround speaker positions to see which works best in your room.

SPEAKER PLACEMENT

Placement of the speakers in a Dolby Pro Logic surround system plays an important role in the performance of the system.

FRONT SPEAKERS

The front speakers should be placed with the left and right speakers evenly spaced either side of the TV screen. The centre speaker should be placed underneath or above the TV monitor so that dialogue is localised close to the TV image.

SURROUND SPEAKERS

The surround speakers are used to create a diffuse room-filling atmospheres rather than pin-point sound effects. Surround speakers should be wall or shelf mounted fairly high up either on the side walls, rear wall or in the rear corners. Speakers can be mounted facing sideways or upwards to increase the diffusing effect by bouncing the sound off the walls and ceiling before it reaches the listener.

SUB-WOOFER

The very low frequency sounds produced by the sub-woofer are difficult to localise so the Sub-woofer can be placed virtually anywhere in the room. Placing Sub-woofers against walls or in corners will increase the amount of bass produced in the room.

WHY HAVE A CENTER SPEAKER?

The Dolby Pro Logic decoder produces three separate outputs for the Front signals - left, center and right. On most soundtracks, the sound effects and music are spread across all three front channels but the dialogue is mainly fed to the center channel only.

Using a separate center channel speaker will allow the dialogue to cut through even the biggest sound effects and musical scores. Having the sound spread across three front speakers also stabilises the stereo image, making the usable listening area much bigger.

If you are using the AV 711 with only two front speakers, setting the CENTER mode to PHANTOM will place the center information on both the left and right speakers. This creates the impression of a center channel sound source.

For best results, you should consider using a center speaker. Ideally it should be the same type as the left and right speakers, although there are now many new speakers, such as the NAD 808CC, which are specifically designed as center channel add-ons for existing stereo systems.

CAUTION: Ensure that any speaker that is to be used near a TV or monitor is of the magnetically shielded type (see loudspeaker's instruction manual). It is not normally possible to modify an unshielded speaker to work very close to a TV or monitor.

WHY HAVE A SUB-WOOFER?

Many film soundtracks rely heavily on very low frequency sound effects which are difficult for normal hi-fi speakers to reproduce. To faithfully reproduce these low frequencies you can use a specially designed low frequency loudspeaker with its own built-in amplifier. Because it is difficult to hear which direction very low frequencies are coming from, you only normally need one sub-woofer and this can be placed virtually anywhere in the room. The SUB WOOFER output of the AV 711 is designed specifically to drive a sub-woofer system.

SPEAKER PHASE

In a home theatre system it is important that the three front speakers are all in phase compared to each other. Incorrect phase will produce a poor stereo image and an apparent lack of bass. If you are using speakers all from one manufacturer and power amplifiers all from one manufacturer then to ensure correct phasing of the system, just make sure that all the red + connectors on the power amplifier speaker outputs are connected to the red + connector on the loudspeaker.

If you are using a mix of amplifiers or speakers from different manufacturers, or using amplifiers in 'bridge' mode, then it is possible that the phase can be internally reversed in some of the amplifiers or speakers, so you must check for correct phase by listening.

To check phase by listening, set the AV 711 to DOLBY PRO LOGIC and MUTE OFF and select a FM radio station. This will give you the same sound on all three front speakers. Disconnect the surround speakers and the right front speaker. A stable sound image should be heard as though it comes from a single point between the centre and left front speakers. If the signal sounds diffuse and not as though it is coming from a single point in space, reverse the connections to the center loudspeaker. The signal should now appear to come from a single point between the left and centre speakers.

Reconnect the right front speaker and disconnect the left front speaker and repeat the procedure for the right and center front speakers, changing the connection only on the right front speaker if the phase needs correction.

Surrounds will normally be in phase with each other if they have been correctly connected.

There is no absolute rule regarding the relative phase between the front speakers and the surround speaker pair or the Sub-Woofer (if used). Connecting these using the red + connector from the amplifier to the red + connector on the speakers should produce correct results. But in some rooms reversing the connections may produce a noticeable increase in bass response or an improvement in overall stereo imagery, so you may wish to experiment with revers-

ing the connections on both the surrounds or reversing the connections to the sub-woofer.

SYSTEM EXAMPLES

The AV 711 can be used at the heart of a broad range of surround sound systems. Here are two possible systems configurations; one basic and one advanced.

A SIMPLE SET-UP USING THE AV 711

This system uses the AV 711 with a video, CD, cassette deck and TV stereo front speakers and surrounds such as the NAD 805RC.

The CD and Cassette deck are connected to CD and TAPE 1 (IN & OUT) respectively.

The VCR machine is connected to VIDEO 2, as it will be used for playback-only through the system, with video recording from the VCR's internal tuner.

The TV's Video Line Input is connected to MONITOR OUT.

Since there are Surrounds but no Center channel speaker, the CENTER mode is set to PHANTOM.

A MORE COMPLEX SET-UP USING THE AV 711

This set-up uses the AV 711 as the center-piece of a sophisticated Home Theater system. As well as the standard audio sources, this system has also a VCR, a Laser Disc player or a games console connected as A/V sources. The SUB WOOFER OUT is connected to a self-powered sub-woofer. The AV 711 is also connected to a second audio system in another room.

The CD and Cassette deck are connected to CD and TAPE 1 (IN & OUT) respectively.

The playback only Laser Disc/Games console is connected to the VIDEO 1 audio and video inputs.

The VCR machine is connected to VIDEO 2 which has audio/video INPUTS and OUTPUTS to enable recording from the other video sources.

The TAPE 2 output is connected via high quality phono leads to the Aux Input on the hi-fi system in the second room, feeding a hi-fi system in a second room, which uses the amplifier's NAD-Link to send remote control information back to the AV 711. The NAD-Link OUT connector on the second hi-fi amplifier is connected to NAD-Link IN on the AV 711 so that it can be remotely controlled from the second room.

The TV's Video Line Input is connected to MONITOR OUT.



TROUBLESHOOTING

SYMPTOM	POSSIBLE CAUSE
No Sound	Power AC lead unplugged or power not switched on. <i>Check AC lead.</i> Tape Monitor on. <i>De-select Tape Monitor mode.</i> Speakers not switched on. <i>Press the Speakers switch to on.</i> Mute on. <i>Switch off Mute.</i> Internal fuse blown. <i>Consult dealer.</i>
No Sound one Channel	Balance control not centered. <i>Center Balance control.</i> Speaker not properly connected or damaged. <i>Check connections and speakers.</i> Input or speakers leads disconnected or damaged. <i>Check leads and connections.</i>
No sound on surround channels	A surround mode has not be selected. <i>Select Dolby Pro Logic or Hall modes.</i> Sound source is in Mono. <i>Test system with known stereo or Dolby Surround material.</i> Speakers not properly connected or damaged. <i>Check speakers and connections.</i> Surround level set too low. <i>Increase surround level.</i>
No sound on center channels	Phantom Center mode has been selected. <i>Select Normal or Wide modes.</i> By-Pass mode has been selected. <i>Select Dolby Pro Logic or Dolby 3 Stereo modes.</i> Center level set too low. <i>Increase center level.</i>
Weak bass/ diffuse stereo image	Speakers wired out of phase. <i>Check connections to all speakers in the system.</i>
Test signal position does not match test signal indicator lights	Speakers connected to the wrong outputs. <i>Check connections to all amplifier and speaker channels.</i>
Remote control not working	Batteries flat or incorrectly inserted. <i>Check or replace batteries.</i> IR transmitter or receiver window obstructed. <i>Remove obstruction.</i>
Tuner noise	Hiss - Weak signal. <i>Check station tuning. Adjust or replace antenna.</i> Distortion - Multipath signals. <i>Check station tuning. Adjust or replace antenna.</i> Whistles or buzzes on FM & AM: Interference from other electrical sources - computers, games consoles. <i>Check station tuning. Switch off or move the source of the electrical noise.</i> Whistles or buzzes on AM. Interference from fluorescent lighting or electrical motors. <i>Check station tuning. Adjust or replace AM antenna.</i>

RECEPTEUR AM/FM NAD AV 711 A SONORITE ENVELOPPANTE

F

NOTES CONCERNANT L'INSTALLATION

Poser l'AV-711 sur une surface stable, plane et horizontale. Eviter les rayons directs du soleil et les sources de chaleur et d'humidité, ainsi que les endroits où une ventilation correcte ne peut pas être assurée.

Mettre l'appareil en mode veille avant de réaliser les connexions. Les connecteurs phono de votre AV-711 comportent des codes couleurs afin d'en faciliter le branchement. Le Rouge et le Blanc correspondent à l'audio Gauche et Droite, le Jaune correspond à la vidéo composite (ligne) et l'Orange sert à repérer la Liaison-NAD.

N'utiliser que des câbles et des connecteurs de très bonne qualité de manière à obtenir un branchement dont la fiabilité est parfaite et les performances optimales.

Les câbles phono audio fonctionnent très bien avec les signaux vidéo, mais il est néanmoins recommandé d'utiliser de véritables câbles vidéo dans la mesure du possible. Vérifier que les câbles et les connecteurs ne présentent aucune détérioration, et que tous les connecteurs sont bien enfoncés jusqu'en butée.

Pour obtenir les meilleures performances, utiliser des câbles de haut-parleurs d'une épaisseur égale ou supérieure au "calibre 16".

Si l'appareil doit rester inutilisé pendant un certain temps, débrancher le cordon d'alimentation de la prise de secteur murale. Si de l'eau pénètre à l'intérieur de l'AV-711, couper l'alimentation de l'appareil et retirer la fiche de la prise secteur. Faire contrôler l'appareil par un technicien de service après vente qualifié, avant toute tentative de remise en service.

Ne pas retirer le couvercle. A l'intérieur, il n'y a aucun élément sur lequel l'utilisateur peut intervenir.

Utiliser un chiffon doux sec et propre pour nettoyer l'appareil. Si nécessaire, humecter le chiffon avec un peu d'eau savonneuse. Ne pas utiliser de solution contenant du benzol ou tout autre agent volatil.

BRANCHEMENTS SUR LA FACE ARRIERE

1. CD INPUT [ENTREE DISQUE AUDIONUMERIQUE (CD)]

Entrée pour un lecteur de disques audionumériques (CD) (signal audio analogique) ou pour une autre source de signal de niveau ligne. Utiliser un câble double phono-à-phono pour relier les "Sorties Audio" gauche et droite du lecteur de CD à cette entrée.

2. AUX INPUT

Sélectionne le module audiophonique auxiliaire comme entrée active.

3. TAPE 1 [MAGNETOPHONE 1]

Branchements pour enregistrement et lecture analogique sur un magnétophone audio de n'importe

quel type (à cassette, à bobines, DAT, MD ou DCC). A l'aide de câbles doubles phono-à-phono, relier les connecteurs de "Sortie Audio" gauche et droit du magnétophone aux connecteurs de LECTURE MAGNETOPHONE 1 [TAPE 1 IN] pour la lecture. Relier les connecteurs "d'Entrée Audio" gauche et droit du magnétophone aux connecteurs d'ENREGISTREMENT MAGNETOPHONE 1 [TAPE 1 OUT] pour l'enregistrement.

4. TAPE 2 [MAGNETOPHONE 2]

Branchements pour enregistrement et lecture analogique sur un deuxième magnétophone audio de n'importe quel type. A l'aide de câbles doubles phono-à-phono, relier les connecteurs de "Sortie Audio" gauche et droit du magnétophone aux connecteurs de LECTURE MAGNETOPHONE 2 [TAPE 2 IN] pour la lecture. Relier les connecteurs "d'Entrée Audio" gauche et droit du magnétophone aux connecteurs d'ENREGISTREMENT MAGNETOPHONE 2 [TAPE 2 OUT] pour l'enregistrement.

5. VIDEO 1 (AUDIO)

Entrées pour la lecture audio en provenance d'un magnétoscope ou de tout autre appareil vidéo tel qu'un téléviseur stéréo, un décodeur télévision câble ou satellite, ou un Disque Audionumérique (Laser). A l'aide de câbles doubles phono-à-phono, relier les connecteurs de "Sortie Audio" gauche et droit du magnétoscope, du téléviseur, du disque laser ou du décodeur satellite à ces entrées. Ces entrées audio sont utilisées en combinaison avec les entrées vidéo composite (ligne) repérées "VIDEO 1". L'entrée [VIDEO 1] ne peut être utilisée que pour la lecture; pour connecter un magnétoscope pour l'enregistrement et la lecture à travers le NAD 711, utiliser l'entrée MAGNETOSCOPE 2 [VIDEO 2].

6. VIDEO 2 (AUDIO)

Branchements pour l'enregistrement et la lecture audio sur un magnétoscope ou tout autre appareil enregistreur vidéo. A l'aide de câbles doubles phono-à-phono, relier les connecteurs de "Sortie Audio" gauche et droit du magnétoscope aux connecteurs d'ENTREE VIDEO 2 [VIDEO 2 IN] pour la lecture. Relier les connecteurs "d'Entrée Audio" gauche et droit du magnétoscope aux connecteurs de SORTIE VIDEO 2 [VIDEO 2 OUT] pour l'enregistrement. Ces entrées audio sont utilisées en combinaison avec les entrées vidéo composite (ligne) repérées "VIDEO 2 IN" et avec les sorties repérées "VIDEO 2 OUT".

7. SUB-WOOFER OUT

Sortie ligne supplémentaire pour connexion à un système de haut-parleurs super-boomers équipé de son propre amplificateur de puissance.

8. ANTENNE AM

Une antenne cadre AM est livrée avec l'AV-711, et permet de recevoir les stations émettant sur la bande AM. Ouvrir la borne à l'aide du levier, insérer le fil en provenance de l'antenne, puis fermer et verrouiller la borne et le fil à l'aide du levier (Fig. 2).

Si votre AV 711 est un modèle USA ou Canada, insérer le câble tout en maintenant le levier enfoncé. Relâcher le levier pour brider le câble.

Faire des essais en mettant l'antenne dans différentes positions, mais en s'assurant que le cadre est toujours vertical afin que la réception soit optimale. Le fait de positionner l'antenne à proximité d'éléments métalliques de taille importante, comme des étagères en métal ou des radiateurs par exemple, peut affecter la réception.

9. ANTENNE FM

Une antenne filaire FM, sous forme de câble plat, est livrée avec l'AV-711. Cette antenne se branche à l'arrière de l'appareil (Fig. 1). L'antenne câble plat doit être fixée sur une surface verticale, et doit former un "T".

Faire des essais en mettant l'antenne dans différentes positions, de manière à obtenir le meilleur signal possible avec un minimum de bruit de fond. Un signal FM insuffisant entraîne un sifflement, surtout en réception stéréophonique, et permet au tuner de capter des interférences en provenance de sources électriques extérieures. Dans les endroits où la réception FM est mauvaise, il est possible d'améliorer les performances du tuner en utilisant une antenne FM montée à l'extérieur du bâtiment. Un installateur d'antennes qualifié pourra donner les conseils appropriés, et poser une antenne adaptée aux conditions de réception locales.

10. SOFT CLIPPING [ECRÉTAGE DOUX]

Lorsqu'un amplificateur est poussé au delà de sa puissance de sortie spécifiée, on entend un son dur et déformé lors des passages à sonorité forte. Cela provient du fait que l'amplificateur coupe ou "écrête de façon dure" les pointes sonores pour lesquelles sa conception ne permet pas la reproduction. Le circuit d'écrêtage doux de NAD limite en douceur la forme d'onde à la sortie, pour minimiser la distorsion audible lorsque l'amplificateur est poussé au delà de ses limites. Si votre écoute comporte des niveaux modérés de puissance, l'Ecrêtage Doux peut être laissé sur ARRÊT [OFF]. Si, par contre, vous pensez passer de la musique à des niveaux très élevés, susceptibles de dépasser la capacité de puissance de l'amplificateur, nous préconisons de mettre l'Ecrêtage Doux sur MARCHÉ [ON].

11. VIDEO 1 (VIDEO)

Branchement pour l'entrée du signal vidéo Ligne (Composite) pour VIDEO 1. A l'aide d'un câble phono, relier la "Sortie Vidéo" du magnétoscope, du téléviseur, du lecteur de disques laser ou du décodeur satellite/câble. [VIDEO 1] ne peut être utilisée que pour la lecture vidéo. Utiliser [VIDEO 2] pour brancher un magnétoscope destiné à l'enregistrement et à la lecture via l'AV 711.

12. VIDEO 2 (VIDEO)

Branchement pour l'entrée du signal vidéo Ligne (Composite) pour VIDEO 2. A l'aide d'un câble phono, relier la "Sortie Vidéo" du magnétoscope à l'ENTRÉE VIDEO 2 [VIDEO 2 IN] pour la lecture.

Brancher la SORTIE VIDEO 2 [VIDEO 2 OUT] à "l'Entrée Vidéo" du magnétoscope pour copier les signaux en provenance de [VIDEO 1].

13. MONITOR VIDEO OUTPUT [SORTIE MONITEUR VIDEO]

Sorties vidéo composite (ligne) permettant de brancher un téléviseur ou un moniteur, afin de visionner des sources vidéo reliées à VIDEO 1 ou à VIDEO 2. A l'aide d'un câble phono, relier "l'Entrée Vidéo Ligne" du téléviseur ou du moniteur à la SORTIE MONITEUR VIDEO [MONITOR VIDEO OUTPUT]. On peut aussi utiliser cette sortie comme sortie d'enregistrement supplémentaire, le cas échéant. Dans ce cas, le contrôle du signal vidéo devra être effectué en branchant le moniteur sur la sortie de l'enregistreur vidéo.

14. FRONT SPEAKERS [HAUT-PARLEURS AVANT]

Ces sorties haut-parleurs sont alimentées et mises hors tension à l'aide du bouton HAUT-PARLEURS [SPEAKERS] sur la face parlante.

Brancher le haut-parleur droit sur les bornes repérées "R +" et "R -", en s'assurant que le "R +" est relié à la borne "+" de votre haut-parleur et que "R -" est relié à la borne "-" de votre haut-parleur. Brancher les bornes repérées "L +" et "L -" au haut-parleur gauche en procédant de la même manière.

N'utiliser que du fil torsadé haute puissance (calibre 16 ou plus), pour brancher les haut-parleurs à votre AV 711.

Desserrer la bague en plastique de la borne de haut-parleur. Insérer la broche ou le fil nu dans le trou, puis fixer le câble en vissant la bague de la borne (Fig. 3).

Afin d'éviter tout risque que le métal nu des câbles de haut-parleurs ne touche le panneau arrière ou un autre connecteur, veiller à ce que la longueur dénudée ou la longueur de la broche ne dépasse pas 1/2" (1,27 cm), et qu'il n'y ait pas de brins libres.

ATTENTION : Cet appareil a été conçu pour délivrer une qualité sonore optimale en pilotant des haut-parleurs dont l'impédance est comprise dans les limites précisées. Vérifier les données suivantes, et choisissez des haut-parleurs dont l'impédance correspond aux exigences relatives aux sorties concernées.

HAUT-PARLEURS AVANT : 4 ohms mini par haut-parleur.

HAUT-PARLEUR CENTRAL : 8 ohms mini.

HAUT-PARLEURS ARRIERE : 4 ohms mini par haut-parleur.

15. CENTER SPEAKER [HAUT-PARLEUR CENTRAL]

Cette sortie permet de brancher le haut-parleur central lorsque l'AV 711 fonctionne en mode Dolby* Pro Logic ou Dolby 3 Stereo. Brancher "Centre +" à la borne "+" de votre haut-parleur central et "Centre -" à la borne "-" du haut-parleur.

Dénuder l'extrémité du câble du haut-parleur sur

une longueur de 8 mm et torsader ensemble les brins de fil dénudés afin qu'aucun brin ne soit libre. Ouvrir la borne à l'aide du levier, et insérer le fil. Refermer la borne à l'aide du levier, qui serrera alors le fil. Ce haut-parleur fonctionne avec les haut-parleurs avant, et se met en circuit ou hors circuit grâce au bouton HAUT-PARLEURS [SPEAKERS] sur la face parlante.

* Fabriqué sous licence de la Dolby Laboratories Licensing Corporation. "Dolby", le symbole double-D "D" et "Pro Logic" sont des marques de fabrique de la Dolby Laboratories Licensing Corporation.

16. REAR SPEAKERS [HAUT-PARLEURS ARRIERE]

Cette sortie permet de brancher les haut-parleurs arrière lorsque l'AV 711 fonctionne en mode Dolby Pro-logic ou Hall. Brancher le haut-parleur arrière droit sur les bornes repérées "R +" et "R -" en s'assurant que le "R +" est relié à la borne "+" de votre haut-parleur et que "R -" est relié à la borne "-" de votre haut-parleur. Brancher les bornes repérées "L +" et "L -" au haut-parleur gauche en procédant de la même manière. Les bornes de serrage à levier fonctionnent de la même manière que pour le Haut-Parleur Central.

Dénuder l'extrémité du câble du haut-parleur sur une longueur de 8 mm et torsader ensemble les brins de fil dénudés afin qu'aucun brin ne soit libre. Enfoncer le levier de la borne à enclipser et insérer le câble. Le fait de relâcher le levier assure le bridage du câble.

Ces haut-parleurs fonctionnent en conjugaison avec les Haut-Parleurs Avant, et se mettent en ou hors circuit à l'aide du bouton HAUT-PARLEURS [SPEAKERS] sur la face parlante.

17. NAD-LINK OUT [SORTIE LIAISON-NAD]

Le connecteur de Liaison-NAD [NAD-Link] sert à relayer les commandes émises par la télécommande vers et en provenance d'autres appareils équipés de connecteur de Liaison-NAD. Cela permet d'assurer une commande centralisée pour tout un réseau, ou permet de télécommander la chaîne depuis plusieurs pièces. Pour assurer le relais vers d'autres appareils, relier le connecteur de SORTIE Liaison-NAD [NAD-Link OUT] de l'AV-711 à l'ENTREE NAD-Link de l'autre appareil. Il est possible de relier les connecteurs de Liaison-NAD en chaîne, ENTREE vers SORTIE, et donc de commander tout un réseau d'appareils à l'aide de la télécommande d'un seul d'entre eux.

Un simple branchement de Liaison-NAD en provenance d'une chaîne Hi-fi située dans une autre pièce permettra de télécommander les réseaux Multi-Salles.

18. SORTIES SECTEUR (VERSIONS US ET CANADIEN UNIQUEMENT)

Il est possible de brancher les câbles secteur d'autres appareils directement sur les sorties secteur commutées de l'AV 711.

Si l'on branche un autre module stéréo sur la sortie secteur NON COMMUTEE [UNSWITCHED], l'alimentation de ce module sera assurée que votre AV 711 soit allumé ou éteint.

Les sorties secteur non commutées peuvent être utilisées pour une consommation de puissance COMBINEE ne dépassant pas 120 Watts.

19. CORDON D'ALIMENTATION SECTEUR

Après avoir réalisé tous les branchements de l'amplificateur, brancher le cordon d'alimentation secteur à une prise secteur murale active, ou à une rallonge haute puissance elle-même branchée à une prise murale.

COMMANDES SUR LA FACE PARLANTE

POWER [FONCTIONS MARCHE/ARRET], SPEAKERS [HAUT-PARLEURS] ET HEADPHONES [CASQUE]

1. POWER [MARCHE/ARRET]

Appuyer sur ce bouton pour mettre l'appareil sous tension. Pour le mettre hors tension, réappuyer sur ce bouton.

2. HAUT-PARLEURS [SPEAKERS]

Le bouton HAUT-PARLEURS [SPEAKERS] met en circuit ou hors circuit les haut-parleurs branchés sur les bornes AVANT [FRONT], CENTRAL [CENTRE] et ARRIERE [REAR]. Lorsque les haut-parleurs sont en circuit, le témoin HAUT-PARLEURS [SPEAKERS] s'allume.

3. STANDBY

Le témoin vert de veille indique que l'AV-711 est alimenté avec de l'électricité, mais que la chaîne est actuellement hors tension. Une impulsion sur l'interrupteur de marche/arrêt met l'appareil sous tension et alimente les prises secteur commutées. Le Panneau d'affichage indique les réglages actuels de l'AV-711.

Une deuxième impulsion sur le bouton de marche/arrêt remet l'AV-711 en mode Veille. Lorsqu'il a été mis en veille, l'AV-711 conserve la configuration courante des entrées et des modes dans une mémoire non volatile et revient à ces réglages dès sa remise sous tension. L'AV-711 utilise aussi une mémoire non volatile pour stocker les informations concernant les stations préréglées, aussi bien pour le tuner que pour la configuration Dolby Pro Logic, ce qui évite de perdre ces informations lors de la mise en veille de l'appareil ou lorsque celui-ci est débranché du secteur (pendant une période ne dépassant pas deux semaines ; après deux semaines, le contenu de la mémoire est perdu). En fonctionnement normal, le témoin de veille s'allume chaque fois que l'AV 711 reçoit un signal de la télécommande.

ATTENTION : Lorsque l'AV 711 est en mode veille, il reste toujours sous tension. Eteindre ou débrancher l'AV 711 au niveau de la prise secteur s'il doit rester inutilisé pendant une longue période.

4. HEADPHONE [PRISE CASQUE]

Une prise jack 1/4" est prévue pour permettre l'écoute sur casque. Cette prise comporte son propre amplificateur, capable de piloter tout type de casque

conventionnel, quelle que soit son impédance. Il tire son signal des voies gauche et droite, et fonctionne avec toutes les entrées, mais le mode de sonorisation enveloppante ne sera perçu que comme une écoute stéréophonique à deux voies. Les commandes de volume sonore, de tonalité et de balance agissent aussi sur l'écoute sur casque. Utiliser un adaptateur approprié pour brancher des casques équipés d'un autre type de connecteur, tel qu'un jack stéréophonique de 3,5 mm du type "baladeur stéréo". Attention: L'écoute à des niveaux sonores élevés peut entraîner des dommages auditifs permanents.

FONCTIONS VOLUME, BALANCE ET TONALITE

5. VOLUME

La commande de VOLUME sonore règle le volume global des signaux envoyés aux haut-parleurs. La commande de VOLUME n'affecte pas les enregistrements réalisés sur les sorties ligne Magnétophone ou Vidéo.

6. BASS [COMMANDES DES GRAVES] ET TREBLE [DES AIGUS]

L'AV-711 est équipé de commandes de GRAVES [BASS] ET d'AIGUS [TREBLE], qui permettent de régler la tonalité globale de votre chaîne.

La position médiane (12 heures) correspond à une courbe plate, sans amplification ni atténuation; un léger déclic peut être ressenti dans le mouvement du bouton à cet endroit. Tourner le bouton en sens horaire pour amplifier les Graves ou les Aigus. Tourner le bouton en sens anti-horaire pour atténuer les Graves ou les Aigus. Ces commandes n'affectent que les haut-parleurs avant Gauche et Droit. En mode Pro Logic ou Hall, les haut-parleurs Central et de Sonorisation Enveloppante continuent à assurer une réponse "plate", quelle que soit la position des commandes de tonalité. Les commandes de tonalité n'affectent pas les enregistrements réalisés à partir des sorties Magnétophone ou Vidéo.

7. BALANCE

La commande de BALANCE règle les niveaux relatifs des haut-parleurs avant Gauche et Droit. La position centrale (12 heures) assure un niveau égal pour les voies Gauche et Droite. Un léger déclic peut être ressenti dans le mouvement du bouton à cet endroit.

En tournant le bouton en sens horaire, on déporte la balance vers la droite. En tournant le bouton en sens anti-horaire, on déporte la balance vers la gauche. La commande de BALANCE n'affecte pas les enregistrements réalisés sur les sorties ligne magnétophone ou magnétoscope.

8. TONE DEFEAT [TONALITE NEUTRE]

Les circuits de tonalité de l'AV-711 sont contournés lorsque la fonction TONALITE NEUTRE [TONE DEFEAT] est activée. Si l'on n'utilise pas les commandes de tonalité, c'est à dire qu'elles restent toujours en position médiane (12 heures), il est conseillé de mettre les circuits de réglage de la tonalité complètement hors circuit à l'aide de ce bouton. En

position "sortie", les circuits de tonalité sont actifs; le fait d'enfoncer le bouton TONALITE NEUTRE [TONE DEFEAT] contourne les circuits de réglage de la tonalité. Le panneau d'affichage indique l'état actif ou inactif de la fonction Tonalité Neutre.

INPUT [SELECTEURS ENTREE] ET MONITOR [MONITEUR]

9. VIDEO 1, VIDEO 2, [MAGNETOPHONE 1] TAPE 1, [MONITEUR MAGNETOPHONE 2] TAPE 2 MONITOR, FM, AM, AUX ET CD

Ces boutons permettent de sélectionner l'entrée active de l'AV 711 ainsi que le signal envoyé aux haut-parleurs et aux sorties Magnétophone, Vidéo 2 et Moniteur TV.

Le nom de l'entrée et le Mode de Sonorisation Enveloppante seront affichés sur le Panneau d'Affichage.

VIDEO 1

Sélectionne le signal en provenance d'un téléviseur stéréo, d'un décodeur satellite ou d'un disque vidéo-laser connecté à l'entrée VIDEO 1 comme entrée active.

VIDEO 2

Sélectionne le magnétoscope connecté à l'entrée VIDEO 2 comme entrée active. Le Panneau d'Affichage indique Vidéo 1 ou 2, en fonction de l'entrée vidéo sélectionnée.

TAPE 1 [MAGNETOPHONE 1]

Sélectionne le Magnétophone 1 comme entrée active.

TAPE 2 MONITOR [MONITEUR MAGNETOPHONE 2]

Sélectionne le signal de sortie du Magnétophone 2. MONITEUR MAGNETOPHONE 2 [TAPE 2 MONITOR] envoie le signal directement dans les amplificateurs principaux de l'AV 711, sans affecter la sélection d'entrée actuelle. Si le lecteur CD est l'entrée active lors de la sélection du MONITEUR MAGNETOPHONE, le signal du lecteur CD continue à être envoyé aux sorties d'enregistrement MAGNETOPHONE 1 [TAPE 1], MAGNETOPHONE 2 [TAPE 2] ET [VIDEO 2], alors que le signal Magnétophone 2 est entendu sur les haut-parleurs et dans le casque. Lorsque MONITEUR MAGNETOPHONE 2 [TAPE 2 MONITOR] a été sélectionné, le Panneau d'Affichage indique "T-2 Monitor" (Moniteur M-2)

FM

Sélectionne la radio FM. Cette entrée est sélectionnée automatiquement lorsque l'on appuie sur une touche de présélection FM.

AM

Sélectionne la radio AM. Cette entrée est sélectionnée automatiquement lorsque l'on appuie sur une touche de présélection AM.

AUX

Sélectionne le module audiophonique auxiliaire comme entrée active.

CD

Sélectionne le lecteur de disques numériques comme entrée active.

**FONCTIONS SONORISATION
ENVELOPPANTE ET PLAGE
DYNAMIQUE CONTROLEE**
10. SURROUND**[SONORISATION ENVELOPPANTE]**

Le bouton SONORISATION ENVELOPPANTE [SURROUND] sélectionne le mode sonorisation enveloppante de l'AV 711. Une impulsion sur SONORISATION ENVELOPPANTE fait défiler trois modes : DOLBY PRO-LOGIC, HALL et BY-PASS (Stéréo normale).

DOLBY PRO-LOGIC décode les signaux de sonorisation enveloppante encodés sur les bandes son des films sur cassettes vidéo ou à la télévision. Pour pouvoir être correctement décodé, le signal vidéo ou télévision doit provenir d'une bande sonore Dolby Surround ou Dolby Stereo, et doit être reproduit par un magnétoscope, un téléviseur ou un décodeur satellite stéréophoniques. Le mode HALL génère un effet de sonorisation enveloppante à partir d'une source stéréophonique normale telle qu'un lecteur de compact disques ou la radio FM.

BY-PASS passe en mode de fonctionnement stéréophonique normal.

Le mode choisi est indiqué pendant 3 secondes dans la zone principale du Panneau d'Affichage, et s'affiche en permanence dans la zone Sonorisation Enveloppante du Panneau d'Affichage.

A titre de fonction supplémentaire, votre AV 711 mémorise le mode de sonorisation enveloppante que vous avez utilisé avec la sélection d'entrée donnée. La prochaine fois que vous sélectionnez cette entrée, votre AV 711 choisira automatiquement le même mode de sonorisation enveloppante qu'auparavant. Si vous avez l'habitude d'utiliser le mode Dolby Pro Logic sur les entrées Vidéo 1 et Vidéo 2, le Mode Hall sur la FM et By-Pass (Stéréo) sur les autres, le fait d'appuyer sur le sélecteur d'entrée active automatiquement le mode de Sonorisation Enveloppante correct par défaut, sans que vous ayez à appuyer sur le bouton de Mode de Sonorisation Enveloppante correspondant.

11. CENTRE [CENTER]

Sélectionne le type de haut-parleur central utilisé sur le système des haut-parleurs principaux. Les impulsions successives sur le bouton CENTRE [CENTER] font défiler les trois options : [NORMAL], FANTOME [PHANTOM] et BANDE LARGE [WIDE-BAND]. Pour le mode Dolby Pro Logic, utiliser NORMAL, BANDE LARGE [WIDE-BAND] ou FANTOME [PHANTOM], et pour le mode Dolby 3 Stereo utiliser NORMAL ou BANDE LARGE [WIDE-BAND].

On utilise le mode [NORMAL] lorsque le haut-parleur central est plus petit que les haut-parleurs avant gauche et droit. Ce mode génère une image centrale vraie, après avoir éliminé les très basses fréquences (en deçà de 70 Hz).

On utilise le mode BANDE LARGE [WIDE-BAND] lorsque le haut-parleur central est du même type que les haut-parleurs avant gauche et droit. Ce mode génère une image centrale vraie avec une plage de fréquence complète, sans filtrage des basses fréquences.

On utilise le mode FANTOME [PHANTOM] lorsqu'il n'y a pas de haut-parleur central. Dans ce cas, l'AV 711 répartit les informations "centrales" entre les haut-parleurs avant droit et gauche, et ce de façon égale, ce qui a pour effet de générer une image sonore centrale "Fantôme".

Le Mode Centre sélectionné s'affiche pendant trois secondes dans la partie principale du Panneau d'Affichage. Il est stocké dans la mémoire de l'AV 711, pour être rappelé chaque fois que l'on met l'appareil sous tension. Il n'est possible de modifier cette fonction que lorsque l'AV 711 est en mode DOLBY PRO-LOGIC.

12. DELAY [RETARD]

Sélectionne la durée du retard appliquée aux haut-parleurs de sonorisation enveloppante, lorsque l'AV 711 est utilisé en mode DOLBY PRO-LOGIC ou HALL.

Une impulsion sur le bouton RETARD [DELAY] règle les temps de retard de 5 ms à 30 ms (Mode Hall) ou de 15 ms à 30 ms (Mode Dolby Pro Logic), par intervalles de 5 ms. Il est possible de définir et de mettre en mémoire des retards différents pour les modes DOLBY PRO-LOGIC et HALL. Ces retards sont rappelés de façon automatique lors de chaque sélection du mode DOLBY PRO-LOGIC ou du mode HALL. Il n'est possible de modifier cette fonction que lorsque l'AV 711 est en mode DOLBY PRO-LOGIC ou HALL. (Se reporter au REGLAGE DU SYSTEME DE SONORISATION ENVELOPPANTE).

TUNER**9. ENTREE AM ET FM**

Appuyer sur le bouton AM ou FM pour activer le mode tuner requis sur l'AV 711. Le Panneau d'Affichage indique la fréquence de la station accordée, ainsi que le numéro de la station pré-réglée et de la banque de mémoire utilisée (le cas échéant).

13. TUNE [ACCORDAGE]

Permet d'accorder les stations voulues, et de choisir les stations Pré-sélectionnées. Il existe deux modes d'accordage: Manuel et Recherche. Des impulsions répétées sur le bouton augmentent ou diminuent la fréquence d'accordage par incréments de 50 kHz sur la bande FM, ou par incréments de 10 kHz (9 kHz en Europe) sur la bande AM.

Recherche. le fait de maintenir le bouton enfoncé pendant plus d'une demie-seconde met la section Tuner en mode Recherche. Il balaye alors les fréquences d'accordage et s'arrête lorsqu'il tombe sur une station émettrice. Dès qu'une station a été captée, l'indicateur ACCORDE [TUNED] s'allume sur le Panneau d'Affichage. Le mode recherche ne fonctionne que sur la bande FM.

14. PRESET [STATION PREREGLEE]

Appuyer sur STATION PREREGLEE [PRESET] pour rappeler ou programmer une station de radio pré-réglée. Les 30 Stations Pré-réglées peuvent être des stations AM ou FM, et sont stockées dans trois Banques de Stations, chaque banque pouvant contenir jusqu'à 10 stations pré-réglées. Le numéro de la station pré-réglée est indiqué sur le Panneau d’Affichage.

15. BANK [BANQUE]

Appuyer sur BANQUE [BANK] pour commuter entre les trois banques (A, B ou C) de stations pré-réglées du tuner. Pour des raisons de commodité, on pourrait utiliser deux des banques pour des stations FM, et une pour les stations AM, bien qu’il soit possible de stocker un panachage de stations AM et FM dans n’importe laquelle des Banques de Stations Pré-réglées. La Banque choisie est indiquée sur le Panneau d’Affichage.

16. MEMORY [MEMOIRE]

Ce bouton est utilisé pour mettre en mémoire de nouvelles stations pré-réglées.

17. FM MUTE/MODE [SILENCE FM/MODE]

Commute la section tuner FM entre les modes de fonctionnement “Silence FM Actif / Stéréo” et “Silence FM Inactif / Mono”. En mode normal (SILENCE FM ACTIF [FM MUTE ON]), le tuner coupe le son lorsque le signal capté est faible ou inexistant, et reste donc silencieux jusqu’à ce qu’il ait capté une station émettant un signal raisonnablement puissant. Le fait d’appuyer sur SILENCE FM/MODE [FM MUTE/MODE] désactive la fonction de coupure, et permet donc de capter des stations très faibles. SILENCE FM INACTIF [FM MUTE OFF] coupe aussi la fonction stéréo FM.

Lorsque le tuner capte un signal FM, votre AV 711 se met automatiquement en mode stéréo, ce qui est indiqué sur le Panneau d’Affichage par l’allumage de l’indicateur STEREO. Les signaux stéréo faibles peuvent comporter un sifflement de fond d’un niveau important. La fonction SILENCE FM INACTIF [FM MUTE OFF] de l’AV 711 met le tuner en mode mono, et supprime le bruit de fond.

L’état de la fonction SILENCE FM [FM MUTE] est indiqué sur le Panneau d’Affichage.

RECHERCHE ET MISE EN MEMOIRE DES STATIONS AM ET FM

On peut utiliser l’accordage Manuel pour afficher la fréquence d’une station que l’on connaît déjà, ou le mode de RECHERCHE [SEARCH] pour rechercher automatiquement les stations qui émettent dans le secteur, puis se servir du bouton MEMOIRE [MEMORY] pour les enregistrer dans la mémoire de l’AV 711.

Choisir d’abord la bande de fréquences AM ou FM à l’aide des boutons d’Entrée AM ou FM. Appuyer sur les boutons TUNE ▲ ou ▼ pendant 1/2 seconde pour lancer la recherche du tuner dans la bande de fréquences. Dès que le tuner s’accorde sur un signal

d’émission suffisamment fort, la recherche automatique s’arrête sur la station correspondante. Pour mettre cette station en mémoire en tant que Station Pré-réglée, appuyer sur le bouton MEMOIRE [MEMORY]. Les témoins MEMOIRE [MEMORY] et STATION PREREGLEE [PRESET] clignotent, tout comme les numéros des stations pré-réglées, pendant 8 secondes ou pendant le temps qu’il faut pour entrer les informations de définition de la Station Pré-réglée.

Appuyer sur le bouton BANQUE pour sélectionner la banque de stations pré-réglées dans laquelle doit être stockée la station. Appuyer sur les boutons d’ACCORDAGE ▲ ou ▼ [TUNE ▲ ou ▼] pour sélectionner le numéro de station pré-réglée qui sera affecté à la station. Le numéro de Station Pré-réglée actuel est indiqué sur le Panneau d’Affichage.

Appuyer encore sur le bouton MEMOIRE [MEMORY], pour stocker la fréquence de la station sous le numéro de Station Pré-réglée choisi. L’AV 711 revient alors en mode de fonctionnement normal.

Les informations concernant les Stations Pré-réglées resteront stockées dans la mémoire de l’AV 711 jusqu’à ce que vous les effaciez volontairement.

RAPPEL DES STATIONS PRE-REGLEES

Pour rappeler une Station Pré-réglée quelconque, appuyer sur le bouton STATION PREREGLEE [PRESET]. L’indicateur de Pré-réglage s’allume, et le tuner rappelle la Station Pré-réglée la plus récemment écoutée. Pour sélectionner une autre station pré-réglée, sélectionner d’abord la Banque dans laquelle est enregistrée cette station, en appuyant sur le bouton BANQUE [BANK]. Appuyer ensuite sur le bouton STATION PREREGLEE [PRESET]. Appuyer sur ACCORDAGE ▲ ou ▼ [TUNE ▲ ou ▼] pour faire défiler les réglages disponibles, jusqu’à ce que le numéro de Station Pré-réglée souhaité soit affiché sur le Panneau d’Affichage. L’AV 711 ne fait défiler que les Stations Pré-réglées qui ont été affectées à des stations accordées; il saute les numéros non affectés.

Sur la télécommande, appuyer sur le bouton BANQUE [BANK] et choisir le groupe de banques, puis appuyer sur le bouton RAZ [RESET] (+ ou -).

EFFACEMENT DES STATIONS PREREGLEES

Sélectionner la Station Pré-réglée à effacer. Appuyer sur le bouton MEMOIRE [MEMORY] et, sans relâcher ce dernier, appuyer sur le bouton SILENCE FM/MODE [FM MUTE/MODE]. Le numéro de Station Pré-réglée disparaît du Panneau d’Affichage, et le numéro n’est plus affecté.

SLEEP [FONCTIONS SOMMEIL] ET MUTE [MUET]

Les boutons correspondant aux fonctions SOMMEIL [SLEEP] et MUET [MUTE] n’existent que sur la Télécommande.

SLEEP [SOMMEIL]

Appuyer sur le bouton SOMMEIL [SLEEP] pour programmer l'extinction automatique de l'AV 711 après un nombre prédéterminé de minutes. Une seule impulsion sur le bouton SOMMEIL [SLEEP] règle la minuterie sur 90 minutes, après quoi l'AV 711 se met automatiquement en mode Veille. Le mode Sommeil et le temps restant avant l'extinction sont indiqués sur le Panneau d’Affichage. Pour régler la valeur de la minuterie, maintenir le bouton SOMMEIL [SLEEP] enfoncé. Cela a pour effet de diminuer le temps de sommeil par tranches de 10 minutes, ce qui sera indiqué sur le Panneau d’Affichage. Pour annuler le mode Sommeil, continuer à appuyer sur le bouton SOMMEIL [SLEEP] jusqu’à ce que “Source Name” (Nom de Source) apparaisse sur le Panneau d’Affichage. Une impulsion sur le bouton MARCHE/ARRET [POWER] annule aussi le mode Sommeil.

MUTE [MUET]

Appuyer sur le bouton MUET [MUTE] pour couper provisoirement le son des haut-parleurs et du casque. “Audio Mute” (Silence Audio) est affiché sur le Panneau d’Affichage lorsque l’appareil est en mode Muet. Réappuyer sur MUET [MUTE] pour rétablir le son.

CONFIGURATION DU SYSTEME DE SONORISATION ENVELOPPANTE

De manière à obtenir un fonctionnement optimal, il est nécessaire de régler les paramètres de sonorisation enveloppante de l'AV-711 de manière à ce qu'il y ait un bon équilibre de sonorité entre les différents haut-parleurs de la chaîne. Il est nécessaire, aussi, de régler le temps de Retard des haut-parleurs de sonorisation enveloppante en fonction de la position d’écoute. Le réglage des niveaux sonores des différents haut-parleurs s'effectue à l'aide des fonctions Test et Réglage Haut-Parleurs [Speaker Adjustment] prévues sur la Télécommande.

Il est important de commencer par mettre en phase tous les haut-parleurs de la chaîne. Vérifier que les bornes positives (+) des sorties HP de l'amplificateur sont bien branchées aux connecteurs positifs (+) respectifs de chaque haut-parleur.

Avant de commencer la séquence de configuration, vérifier que le Mode CENTRE [CENTER] est réglé correctement en fonction de votre configuration de haut-parleurs.

La fonction TONALITE NEUTRE [TONE DEFEAT] doit être active et la commande de BALANCE doit être dans la position normalement utilisée pour les sources stéréophoniques (en principe la position médiane - 12 heures).

UTILISATION DE LA FONCTION TEST POUR CONFIGURER LES NIVEAUX DU SYSTEME DE SONORISATION ENVELOPPANTE

Les haut-parleurs étant connectés et le VOLUME étant réglé sur zéro, choisir le MODE DOLBY PRO LOGICou DOLBY 3 STEREO et appuyer sur TEST sur la Télécommande. Ceci a pour effet de générer un signal de test et de l'envoyer successivement à chaque voie de haut-parleur (gauche, centrale, droite et enveloppante), ce qui permet de régler chaque voie pour que son volume sonore soit identique depuis la position d’écoute. Le Panneau d’Affichage indique le haut-parleur qui reçoit le signal de test.

Augmenter le VOLUME jusqu’à ce que le signal soit modérément fort dans les haut-parleurs gauche et droit. Lorsque le signal arrive sur le haut-parleur Central, régler les boutons VOLUME CENTRE ▲ ou ▼ [CENTER VOLUME ▲ ou ▼] de la Télécommande pour régler le niveau sonore du haut-parleur central afin qu’il corresponde aux niveaux générés par les haut-parleurs gauche et droit. Le niveau relatif de la voie Centrale est indiqué sur le Panneau d’Affichage, et il est possible de le régler par pas de 1 dB. En dessous de -20 dB, les incréments deviennent progressivement plus importants.

Une fois le réglage de la voie centrale terminé, le signal de Test continue automatiquement à passer d’un haut-parleur à l’autre. Si le réglage initial ne convient pas, reprendre le processus jusqu’à ce que tous les niveaux correspondent.

Refaire la même opération pour régler le niveau des haut-parleurs de Sonorisation Enveloppante, à l'aide des boutons VOLUME ARRIERE ▲ ou ▼ [REAR VOLUME ▲ ou ▼] de la télécommande. Lors de la sélection des modes Dolby Pro Logic, le réglage affectera simultanément le niveau sonore des deux haut-parleurs de sonorisation enveloppante.

Pour obtenir un réglage plus précis, il est possible d'utiliser un sonomètre. Activer les modes “Lent” et “Pondération-C” du sonomètre, et vérifier les réglages en positionnant le sonomètre à plusieurs endroits différents à l’intérieur de la zone d’écoute générale.

Si la chaîne comporte un Super-Boomer, régler le niveau du Super-Boomer de manière à ce que celui-ci soit audible mais ne domine pas la sonorité. Il sera possible d'affiner les niveaux de Super-Boomer plus tard, en écoutant des enregistrements programmés.

REGLAGE DU RETARD DE SONORISATION ENVELOPPANTE

Etant donné que les haut-parleurs de Sonorisation Enveloppante sont habituellement plus près de l'auditeur que les haut-parleurs Avant, l'oreille a tendance à considérer que les sons viennent de l'arrière,

Date:	SON. ENVELOPP	CENTRAL	RETARD (ms)
DOLBYPRO LOGIC			
DOLBY 3 STEREO	_____		_____
HALL		_____	

puisqu'elle porte plus d'attention aux sons qui l'atteignent en premier. Pour résoudre ce problème, le circuit Dolby Pro Logic comporte un retard de Sonorisation Enveloppante. De cette manière, les sons provenant des haut-parleurs de Sonorisation Enveloppante atteignent toujours les oreilles de l'auditeur après les sons provenant des haut-parleurs Avant.

La valeur exacte du retard nécessaire dépend des distances relatives entre les haut-parleurs Avant et de Sonorisation Enveloppante et la position de l'auditeur dans la pièce.

Commencer par noter la distance entre les haut-parleurs de Sonorisation Enveloppante et la position d'écoute. Noter ensuite la distance entre les haut-parleurs Avant et la zone d'écoute. Utiliser la courbe ci-dessous et noter le point où les deux distances se croisent. Ce point indique le Retard préconisé à régler sur l'appareil.

Pour régler le Retard, mettre l'AV-711 en mode Dolby Pro Logic et appuyer sur RETARD [DELAY] sur la face parlante ou sur la télécommande. Continuer à appuyer sur RETARD [DELAY] jusqu'à ce que la valeur requise apparaisse sur l'afficheur.

Les réglages du Niveau et du Retard sont stockés dans la mémoire de l'AV-711.

Les valeurs correspondantes sont rappelées automatiquement à chaque mise sous tension de l'appareil.

Pour référence, utiliser les cases ci-dessous pour noter vos réglages personnels. En cas de modification accidentelle, il sera possible de reproduire ces réglages sans avoir recours à la procédure de Test.

TELECOMMANDE

La Télécommande 45RC1 reproduit toutes les fonctions clés de l'AV-711, et comporte aussi des commandes supplémentaires permettant de télécommander les lecteurs de cassettes et de disques numériques (CD) NAD, depuis une distance pouvant aller jusqu'à 5 mètres.

Les fonctions subsidiaires, de mode et de configuration sont assurées à l'aide de boutons noirs. Les commandes de Marche/Arrêt [Power] et d'Enregistrement [Record] (destinées à une platine cassettes NAD) sont de couleur rouge.

Se reporter aux sections précédentes du manuel pour des descriptions détaillées des différentes fonctions.

POWER [MARCHE/ARRET]

Commute l'AV-711 entre les modes Marche et Veille.

SURROUND MODE [MODE SONORITE ENVELOPPANTE]

Sélectionne les modes Dolby Pro Logic, Dolby 3 Stereo Hall ou By-Pass.

SLEEP [SOMMEIL]

Met l'AV 711 en mode SOMMEIL [SLEEP].

TAPE 1 [MAGNETOPHONE 1]

Sélectionne le Magnétophone 1 comme entrée active.

TAPE 2 [MAGNETOPHONE 2]

Sélectionne le moniteur Magnétophone 2.

TUNER

Sélectionne le Tuner comme entrée active.

PHONO

Sélectionne Phono comme entrée active.

CD

Sélectionne le lecteur de Disques Numériques (CD) comme entrée active.

VIDEO 1

Sélectionne VIDEO 1 comme entrée active.

VIDEO 2

Sélectionne VIDEO 2 comme entrée active.

TUNER BANK [BANQUE TUNER]

Sélectionne une Banque de Stations Préréglées du Tuner.

PRESET + - [STATION PREREGLEE + -]

Sélectionne une Station Préréglée du Tuner.

CASSETTE DECK CONTROL [COMMANDE DE LA PLATINE A CASSETTES] (pour utilisation avec une Platine à Cassettes NAD).

DECK A, DECK B [PLATINE A, PLATINE B]

Si une seule platine est connectée, utiliser les commandes de la Platine B.



Lecture en Arrière.



Lecture en Avant.



Enregistrement et Pause.



Arrêt.



Rembobinage.



Avance Rapide.

CD PLAYER CONTROL

[COMMANDE DU LECTEUR DE CD]

(pour utilisation avec un Lecteur de CD NAD).

DISC [DISQUE]

Disque suivant (Pour les Lecteurs CD multi-disques NAD).



Lecture.



Pause.



Arrêt.



Piste précédente.



Piste suivante.

DELAY [MINUTERIE]

Réglage de la minuterie.

TEST

Lance la procédure de Test de Configuration de la Sonorisation Enveloppante.

MUTE [COUPURE SON]

Coupe le son sur toutes les sorties.

CENTRE VOLUME [VOLUME CENTRE ▲ ▼]

Règle le niveau sonore relatif du haut-parleur Central.

REAR VOLUME [VOLUME ARRIERE ▲ ▼]

Règle le niveau sonore relatif des haut-parleurs de Sonorisation Enveloppante.

VOLUME ▲ ▼

Augmente ou diminue le réglage du Volume sonore, en activant la commande de Volume sonore motorisée sur la face parlante.

PILES

Afin d'obtenir une durée de fonctionnement satisfaisante, il est recommandé d'utiliser des piles alcalines. Le compartiment des piles, à l'arrière de la télécommande, est prévu pour deux piles de type R6 (AA). Lors du remplacement des piles, s'assurer de leur bonne orientation conformément au dessin dans le fond du compartiment des piles.

ANNEXE

PETIT GUIDE DE LA SONORISATION ENVELOPPANTE.

Depuis le milieu des années 70, les sociétés productrices de films fabriquent de plus en plus de films en Dolby Stéréo, le système de sonorisation enveloppante à quatre voies que l'on trouve aujourd'hui dans la plupart des salles de cinéma.

Heureusement, il est très facile de prendre la piste sonore Dolby Stéréo du film et de l'enregistrer sur une bande vidéo VHS stéréophonique, un Disque Laser ou un CD-Vidéo. Il est néanmoins nécessaire d'adapter quelque peu la piste sonore pour qu'elle soit exploitable chez soi, et la version domestique du Dolby Stéréo s'appelle le Dolby Surround.

Aujourd'hui, la plupart des copies vidéo des films contiennent aussi ces informations de sonorisation enveloppante conçues à l'origine pour les salles de cinéma. Comme pour les enregistrements vidéo, la sonorisation Dolby Surround est aussi utilisée pour les programmes télévisés ainsi que pour les disques audionumériques musicaux, et tous ces supports peuvent être décodés avec votre AV-711.

Contrairement aux chaînes quadrophoniques, qui tentaient de reproduire des sons ponctuels provenant de toutes les directions, la sonorisation Dolby Surround est conçue pour donner une image frontale claire avec un remplissage de la pièce grâce aux sons "atmosphériques" transmis par les haut-parleurs de Sonorisation Enveloppante.

Pour obtenir les meilleurs résultats, les haut-parleurs de sonorisation enveloppante ne doivent pas diriger le son directement sur l'auditeur. L'une des façons d'éviter cela est d'utiliser des haut-parleurs dipôles pour la Sonorisation Enveloppante, car ils envoient le son le long du mur plutôt que directement dans la pièce. Un autre moyen consiste à utiliser de petits haut-parleurs standards pour la Sonorisation Enveloppante, mais à ne pas les diriger directement vers la position d'écoute. Il est toujours utile d'expérimenter plusieurs positions pour les haut-parleurs de Sonorisation Enveloppante, afin de trouver celle qui marche le mieux dans votre pièce.

POSITIONNEMENT DES HAUT-PARLEURS

Dans un système de sonorisation enveloppante, le positionnement des haut-parleurs joue un rôle très important dans l'obtention de bonnes performances du système.

HAUT-PARLEURS AVANT

Il est important de positionner les haut-parleurs avant de manière à ce que le gauche et le droit soient

à égale distance de l'écran du téléviseur. Le haut-parleur central doit être placé en dessous ou au dessus de l'écran TV, de manière à ce que les dialogues soient positionnés près de l'image télévisée.

HAUT-PARLEURS DE SONORISATION ENVELOPPANTE

Les haut-parleurs de sonorisation enveloppante sont utilisés pour créer des atmosphères de remplissage diffus de la pièce, plutôt que des effets sonores précisément localisés dans l'espace. Ces haut-parleurs doivent être montés en hauteur, sur le mur ou sur des étagères (sur les murs latéraux, le mur du fond, ou dans les coins du fond de la pièce). On pourra les monter latéralement ou vers le haut, de manière à augmenter l'effet de diffusion par rebondissement du son sur les murs ou sur le plafond, avant qu'il ne parvienne oreilles de l'auditeur.

SUPER-BOOMER

Les sons de très basses fréquences produits par le super-boomer sont difficiles à localiser ; de ce fait, la position de ce haut-parleur dans la pièce n'a pratiquement pas d'importance. Le fait de placer les super-boomers contre les murs ou dans les coins a pour effet d'augmenter la quantité de graves obtenus dans la pièce.

POURQUOI UTILISER UN HAUT-PARLEUR CENTRAL ?

Le décodeur Dolby Pro Logic génère trois sorties distinctes pour les signaux avant : gauche, centrale et droite. Sur la plupart des bandes sonores, les effets sonores et la musique sont répartis entre les trois voies avant, mais le dialogue est envoyé presque exclusivement sur la voie centrale.

Le fait d'utiliser un haut-parleur distinct pour la voie centrale permet au dialogue de traverser clairement même les effets sonores les plus importants et les musiques les plus fortes. La répartition du son sur trois haut-parleurs avant permet aussi de stabiliser l'image stéréophonique, ce qui agrandit considérablement la zone d'écoute.

Si l'on utilise l'AV-711 avec seulement deux haut-parleurs avant, le réglage du mode CENTRE [CENTER] en position FANTOME [PHANTOM] a pour effet de répartir le signal central sur les haut-parleurs gauche et droit. Cela donne l'impression d'avoir une source sonore sur une voie centrale.

Pour obtenir les meilleurs résultats, il est recommandé d'envisager l'utilisation d'un haut-parleur central. Dans l'idéal, ce haut-parleur doit être du même type que celui des haut-parleurs gauche et droit, mais il existe maintenant de nombreux haut-parleurs nouveaux tels que le NAD 808CC, qui ont été conçus spécifiquement en tant que voie centrale complémentaire pour les chaînes stéréophoniques existantes.

ATTENTION: Faire attention à ce que tout haut-parleur utilisé à proximité d'un téléviseur ou d'un moniteur comporte un blindage magnétique (consulter le manuel d'instructions du haut-parleur). En principe, il n'est pas possible de modifier un haut-par-



leur non blindé pour qu'il puisse fonctionner très près d'un téléviseur ou d'un moniteur.

POURQUOI UTILISER UN SUPER-BOOMER ?

La bande sonore de nombreux films compte énormément sur les effets sonores de très basse fréquence, que les haut-parleurs classiques de chaînes hi-fi ont bien du mal à reproduire. Afin de reproduire fidèlement ces basses fréquences, on peut utiliser un haut-parleur basses fréquences de conception spéciale, avec son propre amplificateur intégré. Comme il est difficile de localiser la source des très basses fréquences, en principe on n'a besoin que d'un seul super-boomer, et celui-ci trouvera sa place à peu près n'importe où dans la pièce. La sortie SUB WOOFER de l'AV 711 est conçue spécialement pour piloter un système super-boomer.

MISE EN PHASE DES HAUT-PARLEURS

Dans une chaîne de Salle Audio-visuelle à Domicile, les trois haut-parleurs avant sont tous en phase les uns par rapport aux autres. Une mise en phase incorrecte donne une mauvaise image stéréo et un manque apparent de graves. Si l'on utilise des haut-parleurs provenant tous du même fabricant, et des amplificateurs de puissance eux aussi tous du même fabricant, il suffira, pour assurer une mise en phase correcte, de s'assurer que tous les connecteurs rouges (+) des sorties HP des amplificateurs de puissance sont bien reliés aux connecteurs rouges (+) des haut-parleurs respectifs.

Si l'on utilise des amplificateurs provenant de fabricants différents, ou des amplificateurs configurés en mode "ponté", il est possible que la phase soit inversée de façon interne dans certains des amplificateurs ou des haut-parleurs, et il faudra alors contrôler la mise en phase correcte "à l'oreille".

Pour contrôler la mise en phase à l'oreille, activer les modes DOLBY PRO LOGIC et MUET DESACTIVE [MUTE OFF] de l'AV-711 et sélectionner une station de radio FM. Cela aura pour effet de produire le même son sur chacun des trois haut-parleurs avant. Débrancher les haut-parleurs de Sonorisation Enveloppante et le haut-parleur avant droit. On doit entendre une image sonore stable comme si elle provenait d'un point unique situé entre les haut-parleurs gauche et central. Si le signal semble être diffus, et ne paraît pas provenir d'un point unique dans l'espace, inverser les fils branchés sur le haut-parleur central. Le signal doit maintenant sembler provenir d'un point unique situé entre les haut-parleurs gauche et central.

Rebrancher le haut-parleur avant droit et débrancher le haut-parleur avant gauche, puis reprendre les mêmes opérations pour les haut-parleurs avant central et droit ; s'il est nécessaire de changer la mise en phase de ces deux haut-parleurs, inverser le branchement du haut-parleur avant droit uniquement.

Si les haut-parleurs de Sonorisation Enveloppante ont été branchés correctement, ils seront normalement en phase. Il n'existe aucune règle absolue concernant la phase relative entre les haut-parleurs Avant et la paire de haut-parleurs de Sonorisation Enveloppante ou le Super-Boomer (si utilisé).

En principe, on obtiendra de bons résultats si l'on connecte la borne rouge de l'amplificateur sur la borne rouge (+) de ces haut-parleurs. Néanmoins, le fait d'inverser ces branchements peut, dans certaines pièces, donner une amélioration sensible dans la réponse des graves, ou même une amélioration globale de l'image stéréophonique; il se peut donc que l'on ait envie de faire des essais en inversant les branchements sur les deux haut-parleurs de Sonorisation Enveloppante ou en inversant le branchement du Super-Boomer.

EXEMPLES DE CHAINES

L'AV-711 peut être utilisé au coeur d'une très large gamme de chaînes de sonorisation enveloppante. Voici deux configurations de chaînes possibles, l'une simple, l'autre plus perfectionnée.

CONFIGURATION SIMPLE COMPRENANT L'AV-711

Cette chaîne utilise l'AV-711 avec un système vidéo, une platine tourne-disques, un lecteur de disques audionumériques (CD), une platine cassettes et des haut-parleurs stéréophoniques avant et de sonorisation enveloppante pour téléviseur, tels que des NAD 805RC.

La platine tourne-disques, le lecteur de CD et la platine cassettes sont reliés aux connecteurs [PHONO], [CD], et MAGNETOPHONE 1 [TAPE 1] (ENTREE ET SORTIE), respectivement.

Le magnétoscope est relié à [VIDEO 1], car il sera utilisé uniquement pour la lecture au travers de la chaîne ; les enregistrements vidéo seront réalisés à l'aide du tuner interne du Magnétoscope.

L'Entrée Ligne Vidéo du Téléviseur est reliée à MONITEUR [MONITOR].

Etant donné que des haut-parleurs de Sonorisation Enveloppante sont prévus, mais qu'il n'y a aucun haut-parleur de voie centrale, le sélecteur de Mode CENTRE est réglé sur FANTOME [PHANTOM].

CONFIGURATION PLUS COMPLEXE COMPRENANT L'AV-711

Cette chaîne utilise l'AV-711 comme élément clé d'une chaîne de Salle Audio-visuelle à Domicile. En plus des sources audio standards, cette chaîne comporte aussi un magnétoscope, un lecteur de Disques Laser et une console de jeux, tous connectés en tant que sources audio-visuelles. La sortie MONO est connectée à un super-boomer auto-alimenté. L'AV 711 est aussi relié à un deuxième système audio situé dans une autre pièce.

La platine tourne-disques, le lecteur de CD et la platine cassettes sont reliés aux connecteurs [PHONO], [CD], et MAGNETOPHONE 1 [TAPE 1] (ENTREE ET SORTIE), respectivement.

Le lecteur de disques vidéolaser / la console de jeux sont reliés aux entrées audio et vidéo de [VIDEO 1].

Le magnétoscope est connecté à MAGNETOSCOPE 2 [VIDEO 2], qui possède des ENTREES et des SORTIES audio et vidéo, permettant d'effectuer des enregistrements à partir d'autres sources vidéo.

La sortie MAGNETOPHONE 2 [TAPE 2] est reliée, via des câbles phono de bonne qualité, à l'Entrée Aux de la chaîne hi-fi de l'autre pièce, qui alimente la chaîne hi-fi dans une autre pièce, et qui utilise la Liaison-NAD de l'amplificateur pour renvoyer des informations de télécommande à l'AV-917. Le connecteur de SORTIE Liaison-NAD [NAD-Link OUT] du second amplificateur hi-fi est relié à l'ENTREE Liaison-NAD [NAD-Link IN] de l'AV-711, de manière à permettre de télécommander celui-ci depuis l'autre pièce.

L'Entrée Ligne Vidéo du téléviseur est reliée à MONITEUR [MONITOR].



DEPANNAGE

PROBLEME	CAUSE PROBABLE
Aucun Son	Câble secteur débranché, ou alimentation coupée. <i>Vérifier le câble secteur.</i> Moniteur Bande sélectionné. <i>Désélectionner le Mode Moniteur de Bande.</i> Aucun haut-parleur n'a été sélectionné. <i>Sélectionner les haut-parleurs A ou B.</i> Fonction Coupure du Son active. <i>Désactiver la fonction Coupure du Son.</i> Fusible interne grillé. <i>Consulter le revendeur.</i>
Pas de son sur une voie	Commande de balance non centrée. <i>Centrer la commande de balance.</i> Haut-parleurs incorrectement branchés ou détériorés. <i>Vérifier les branchements des haut-parleurs.</i> Câbles d'entrée ou câbles des haut-parleurs débranchés ou détériorés. <i>Vérifier les câbles et les branchements.</i>
Les modes DOLBY PRO LOGIC et HALL ne fonctionnent pas	Haut-parleur B sélectionné. <i>Sélectionner le jeu de haut-parleurs A.</i>
Aucun son sur les voies de sonorisation enveloppante	Aucun mode de sonorisation enveloppante n'a été sélectionné. <i>Sélectionner les modes Dolby Pro Logic ou Hall.</i> La source sonore est monophonique. <i>Tester la chaîne avec des enregistrements stéréophoniques ou Dolby Surround reconnus.</i> Haut-parleurs incorrectement branchés ou détériorés. <i>Vérifier les haut-parleurs et leur branchement.</i> Le niveau de la sonorisation enveloppante a été réglé trop bas. <i>Augmenter le niveau sonore de la sonorisation enveloppante.</i>
Aucun son sur les voies centrales	Le mode Centre Fantôme a été sélectionné. <i>Sélectionner les modes Normal ou Large.</i> Le mode By-Pass a été sélectionné. <i>Sélectionner les modes Dolby Pro Logic ou Hall.</i> Le niveau de la voie centrale est trop faible. <i>Augmenter le niveau sonore de la voie centrale.</i>
Graves faibles / image stereo diffuse	Haut-parleurs câblés en déphasé. <i>Vérifier le branchement de tous les haut-parleurs de la chaîne.</i>
La position du signal de test ne correspond pas aux indications des témoins lumineux des signaux de test	Haut-parleurs branchés sur des sorties incorrectes. <i>Vérifier le branchement de tous les amplificateurs et de toutes les voies de haut-parleurs.</i>
La télécommande ne fonctionne pas	Piles usées ou incorrectement insérées. <i>Vérifier ou remplacer les piles.</i> Fenêtre d'émission ou de réception IR obstruées. <i>Retirer les obstructions.</i>
Bruit dans le tuner	Sifflement - Signal faible. <i>Vérifier l'accordage de la station. Régler ou remplacer l'antenne.</i> Distorsion - Signaux reçus sous plusieurs angles. <i>Vérifier l'accordage de la station. Régler ou remplacer l'antenne.</i> Sifflements ou bourdonnements sur la bande FM et sur la bande AM : Interférences en provenance d'autres sources électriques - ordinateurs, consoles de jeux. <i>Vérifier l'accordage de la station. Eteindre ou déplacer la source du bruit électrique.</i> Sifflements ou bourdonnements sur la bande AM : Interférences en provenance d'éclairages ou de moteurs électriques. <i>Vérifier l'accordage de la station. Régler ou remplacer l'antenne AM.</i>

HINWEIS ZUM AUFSTELLEN.

Das AV 711 auf einer festen, ebenen Fläche aufstellen. Das Gerät vor Sonneneinwirkung, Wärme und Feuchte schützen und an einem gut belüfteten Ort aufstellen.

Das Gerät auf Betriebsbereitschaft schalten. Die Phono-Anschlüsse am AV 711 sind übersichtlich farblich gekennzeichnet: Die roten und weißen Anschlüsse sind jeweils für Audio rechts bzw. links, der gelbe Anschluß ist für Video und NAD-LINK.

Für optimale Leistung und Zuverlässigkeit der Verbindungen sind hochwertige Leitungen und Anschlüsse zu verwenden. Audio-Phonoleitungen funktionieren einwandfrei für Videosignale, obwohl Videoleitungen zu empfehlen sind. Leitungen und Anschlüsse dürfen auf keine Weise beschädigt und müssen fest eingesteckt sein.

Für optimale Leistung sind hochwertige Lautsprecherleitungen mit einer Drahtstärke von mindestens 16 zu verwenden.

Soll das Gerät über einen längeren Zeitraum nicht benutzt werden, den Netzstecker aus der Steckdose ziehen.

Gelangt Wasser in das AV 711, den Netzschalter sofort abschalten und den Netzstecker ziehen. Das Gerät vor Wiederinbetriebnahme vom Kundendienst überprüfen lassen.

Geräteabdeckung nicht entfernen; im Inneren befinden sich keine vom Benutzer zu reparierenden Teile.

Das Gerät mit einem trockenen, weichen Tuch reinigen. Gegebenenfalls das Tuch leicht mit Seifenlauge befeuchten. Keine Benzollösungen oder sonstigen flüchtigen Mittel verwenden.

ANSCHLÜSSE AUF DER RÜCKSEITE

1. CD INPUT (ANSCHLUß FÜR CD-PLAYER)

Anschluß für CD-Player (Analog-Tonsignal) oder sonstige Hochpegel-Signalquelle. Den linken und den rechten AUDIO OUTPUT (Tonausgang) des CD-Players mit einer Phono-an-Phono-Doppelleitung an diesen Eingang anschließen.

2. AUX INPUT

Wählt das angeschlossene Audiogerät als aktiven Eingang.

3. TAPE 1 (BAND 1)

Anschlüsse für Analogaufnahme und -wiedergabe an ein beliebiges Tonbandgerät wie z.B. Cassettenrecorder, Spulentonbandgerät, DAT, MD oder DCC. Den linken und den rechten AUDIO OUTPUT des Tonbandgerätes mit Phono-an-Phono-Doppelleitungen an die Wiedergabeanschlüsse TAPE 1 IN anschließen. Den linken und den rechten AUDIO INPUT des Tonbandgerätes an die Aufnahmeanschlüsse TAPE 1 OUT anschließen.

4. TAPE 2 (BAND 2)

Anschlüsse für Analogaufnahme und -wiedergabe an ein beliebiges zweites Tonbandgerät. Den

linken und den rechten AUDIO OUTPUT des Tonbandgerätes mit Phono-an-Phono-Doppelleitungen an die Wiedergabeanschlüsse TAPE 2 IN anschließen. Den linken und den rechten AUDIO INPUT des Tonbandgerätes an die Aufnahmeanschlüsse TAPE 2 OUT anschließen.

5. VIDEO 1 (AUDIO)

Eingänge für die Tonwiedergabe von einem Videocassettenrecorder bzw. einem sonstigen Videogerät wie beispielsweise ein Stereo-Fernsehgerät, Satelliten- oder Kabelfernsehempfänger oder ein Laserdiskettengerät. Den linken und den rechten AUDIO OUT an Videocassettenrecorder/Fernsehgerät/Laserdiskettengerät/Satellitenempfänger mit Phono-an-Phono-Doppelleitungen an diese Eingänge anschließen. Diese Toneingänge werden in Verbindung mit den Videoeingängen mit der Bezeichnung VIDEO 1 verwendet. VIDEO 1 dient ausschließlich zur Wiedergabe; zum Anschluß eines Videocassettenrecorders für Aufnahme und Wiedergabe durch Ihren AV 711 VIDEO 2 verwenden.

6. VIDEO 2 (AUDIO)

Anschlüsse für die Tonaufnahme und -wiedergabe an einen Videocassettenrecorder oder an einen anderen Videorecorder. Zur Wiedergabe den linken und den rechten AUDIO OUT am Videocassettenrecorder mit Phono-an-Phono-Doppelleitungen an VIDEO 2 IN anschließen. Zur Aufnahme den linken und den rechten AUDIO IN am Videocassettenrecorder an VIDEO 2 OUT anschließen. Diese Toneingänge werden in Verbindung mit den Videoeingängen mit der Bezeichnung VIDEO 2 IN und den Videoausgängen mit der Bezeichnung VIDEO 2 OUT verwendet.

7. SUB WOOFER OUT (SUBWOOFER AUSGANG)

Zusätzlicher Leitungsausgang zum Anschluß an eine Tieftonlautsprecheranlage mit eigenem Leistungsverstärker.

8 AM-ANTENNE (MW-ANTENNE)

Für den Mittelwellenempfang (AM) ist eine Antenne erforderlich; zu diesem Zweck ist dem AV 711 eine MW-Ringantenne beige packt. Den Clip-Klemmenhebel öffnen und den Antennendraht einführen. Durch Schließen des Hebels wird der Draht festgeklemmt (Abb. 2).

Bei in den USA oder in Kanada gekauften AV 711-Geräten: den Hebel gedrückt halten und den Draht einlegen. Den Hebel loslassen, um den Draht festzuklemmen.

Die Antenne versuchsweise ausrichten. Für den besten Empfang ist jeweils sicherzustellen, daß die Schleife vertikal steht. Die Antenne nicht neben große Metallobjekte (z.B. Metallregale oder Heizkörper) stellen, da diese den Empfang stören können.

9. FM-ANTENNE (UKW-ANTENNE)

Eine UKW-Drahtantenne ist im Lieferumfang enthalten; diese ist an den FM-Anschluß an der

Geräterückseite (Abb. 1). Die Drahtantenne ist so auf einer vertikalen Fläche zu montieren, daß sie ein "T" bildet.

Die Antenne versuchsweise ausrichten, um Signalstärke und Hintergrundgeräusch zu optimieren. Ein zu schwaches UKW-Signal hat normalerweise besonders bei Stereowiedergabe hohe Rauschpegel und Störungen von externen Elektroeinrichtungen zur Folge. In Gegenden mit schwachem UKW-Empfang kann die Leistung des Tuners durch eine im Freien angebrachte UKW-Antenne verbessert werden. Ein Antennenfachmonteur wird Sie bei der Auswahl und Montage der für Ihre Empfangsbedingungen richtigen Antenne beraten.

10. SOFT CLIPPING (IMPULSBEGRENZUNG)

Ein Verstärker, der über die spezifizierte Ausgangsleistung hinaus beansprucht wird, erzeugt bei lauten Tönen deutlich hörbare Verzerrungen. Diese werden dadurch hervorgerufen, daß der Verstärker die Spitzentöne, für deren Wiedergabe er nicht ausgelegt ist, abschneidet bzw. hart begrenzt. Die NAD-SOFT-CLIPPING-Schaltung rundet das Ausgangssignal ab und verringert hörbare Verzerrungen erheblich, wenn der Verstärker überbeansprucht wird.

Wenn Sie bei mäßiger Lautstärke hören, ist Einschalten der SOFT-CLIPPING-Schaltung nicht erforderlich. Wenn Sie jedoch mit hoher Lautstärke wiedergeben, bei der die Leistungsgrenze des Verstärkers überschritten wird, schalten Sie die SOFT-CLIPPING-Schaltung ein.

11. VIDEO 1 (VIDEO)

Anschluß für den Videosignaleingang für VIDEO 1. VIDEO OUT an Videocassettenrecorder, Fernsehgerät, Laserdiskettengerät oder Satelliten-/Kabelempfänger mit einer Phonoleitung anschließen. VIDEO 1 kann ausschließlich für die Video-Wiedergabe angewendet werden. Soll ein Videocassettenrecorder zur Aufnahme und zur Wiedergabe über ein AV 711 angeschlossen werden, VIDEO 2 verwenden.

13. VIDEO 2 (VIDEO)

Anschluß für den Videosignaleingang für VIDEO 2. Zur Wiedergabe VIDEO OUT am Videocassettenrecorder mit einer Phonoleitung an VIDEO 2 IN anschließen. Zum Kopieren von VIDEO 1 Videosignalen VIDEO 2 OUT an VIDEO IN des Videocassettenrecorders anschließen.

13. MONITOR VIDEO OUTPUT (MONITOR-VIDEOAUSGANG)

Videoausgang zum Anschluß an ein Fernsehgerät bzw. Videomonitor zum Ansehen von an VIDEO 1 oder VIDEO 2 angeschlossenen Videoquellen. VIDEO LINE IN an Fernsehgerät oder Monitor mit einer Phonoleitung an den MONITOR VIDEO OUTPUT anschließen. Dieser Ausgang kann u.U. auch als zusätzlicher Aufnahmeausgang benutzt werden. Die Videoüberwachung erfolgt dann über den Ausgang des Videorecorders.

14. FRONT SPEAKERS (VORDERGRUNDLAUTSPRECHER)

Diese Lautsprecherausgänge werden über den Knopf SPEAKERS (Lautsprechern) am Bedienfeld ein- bzw. ausgeschaltet.

Den rechten Lautsprecher an die Klemme mit der Bezeichnung 'R +' und 'R -' anschließen; achten Sie darauf, daß 'R +' an die Plusklemme '+' Ihres Lautsprechers und 'R -' an die Minusklemme '-' des Lautsprechers angeschlossen ist. Die Klemmen mit der Bezeichnung 'L +' und 'L -' analog an den linken Lautsprecher anschließen.

Zum Anschluß der Lautsprecher an Ihren AV 711 verseiltes Hochleistungskabel (mit einer Stärke von mindestens 16) verwenden.

Das Loch im Schraubenschaft durch Abschrauben der Kunststoffbuchse der Lautsprecherklemme freilegen. Den Stift bzw. das bloße Kabelende in das Loch einführen und das Kabel durch Anziehen der Klemmenbuchse sichern (Abb. 4).

Achten Sie darauf, kann keine bloßen Drähte von den Lautsprecherkabeln die Rückseite oder einen anderen Anschluß berühren. Stellen Sie sicher, daß nur 1.27 cm Kabel oder Stift freiliegen und keine losen Lautsprecherdrähte vorhanden sind.

VORSICHT: Eine optimale Tonqualität wird mit Lautsprecherboxen im vorgeschriebenen Impedanzbereich erzielt. Bitte gemäß folgenden Angaben Lautsprecher mit entsprechender Impedanz wählen:

VORDERE LAUTSPRECHER: mindestens 4 Ohm je Lautsprecher

MITTLERER LAUTSPRECHER :mindestens 8 Ohm

HINTERE LAUTSPRECHER: mindestens 4 Ohm je Lautsprecher

15. CENTER SPEAKER (ZENTRALLAUTSPRECHER)

Dient zum Anschluß der Zentrallautsprecher, der benutzt wird, wenn das AV 711 im DOLBY PRO LOGIC- oder Dolby 3 Stereo-Modus verwendet wird. 'CENTER +' an die Plusklemme '+' Ihres Zentrallautsprechers und 'CENTER -' an die Minusklemme '-' des Lautsprechers anschließen.

Das Lautsprecherkabelende 15 mm abisolieren und die bloßen Drähte verdrehen, so daß keine Einzeldrähte abstehen. Den Clip-Klemmenhebel öffnen und den Draht einführen. Durch Schließen des Hebels wird der Draht festgeklemmt. Dieser Lautsprecher arbeitet in Verbindung mit den vorderen Lautsprechern und wird mit Hilfe der Taste SPEAKERS an der Frontplatte ein- und ausgeschaltet.

16. REAR SPEAKERS (HINTERGRUNDLAUTSPRECHER)

Dient zum Anschluß der Hintergrundlautsprecher, die benutzt werden, wenn das AV 711 im DOLBY PRO LOGIC- bzw. im HALL-Modus verwendet wird. Den rechten Hintergrundlautsprecher an die Klemmen mit der Bezeichnung 'R +' und 'R -' anschließen; achten Sie darauf, daß 'R +' an die Plusklemme '+' Ihres

Lautsprechers und 'R -' an die Minusklemme '-' des Lautsprechers angeschlossen ist. Die Klemmen mit der Bezeichnung 'L +' und 'L -' analog an den linken Lautsprecher anschließen.

Das Lautsprecherkabelende 15 mm abisolieren und die bloßen Drähte verdrehen, so daß keine Einzeldrähte abstecken. Den Klemmenhebel nach unten drücken und den Draht einlegen. Den Hebel loslassen, um den Draht festzuklemmen.

Diese Lautsprecher funktionieren in Verbindung mit den Vordergrund- Lautsprechern und werden über den Knopf SPEAKERS an der Bedienleiste ein- und ausgeschaltet.

*Hergestellt unter Lizenzvertrag mit der Dolby Laboratories Licensing Corporation. "Dolby", das Doppel-D-Symbol "DD" und "Pro Logic" sind Warenzeichen der Dolby Laboratories Licensing Corporation.

17. NAD-LINK IN/OUT (NAD-VERBINDUNG EIN/AUS)

Der Anschluß NAD-LINK dient zur Übertragung von Fernbefehlen von mit NAD-LINK-Anschlüssen ausgestatteten Geräten. Hierdurch kann die komplette Anlage zentral bzw. von mehreren Räumen aus gesteuert werden. Zur Funktion mit anderen Geräten die Buchse NAD-LINK OUT des AV 711 an die Buchse NAD-LINK IN am anderen Gerät anschließen. Die NAD-LINK-Anschlüsse können in Reihe angeschlossen werden, IN an OUT, so daß die gesamte Anlage über die Fernbedienung eines Gerätes gesteuert werden kann.

Ein NAD-LINK-Anschluß von einer HiFi-Anlage in einem Nebenraum ermöglicht die Fernbedienung einer Mehrraum-Anlage.

18. Wechselstrom-Ausgänge (nur bei in den USA oder in Kanada gekauften Modellen)

Die Netzkabel der anderen Geräte in der Tonanlage können direkt an die unschaltbaren Netzausgänge des AV 711 angeschlossen werden. Wird ein anderes Stereogerät in den Wechselstrom-Ausgang UNSWITCHED eingesteckt, so wird es auch bei ausgeschaltetem AC711-Gerät mit Strom versorgt.

Die gesamte Leistungsaufnahme der an Wechselstrom-Ausgänge UNSWITCHED an-geschlossenen Geräte darf 120 Watt nicht übersteigen.

19. AC POWER CORD CONNECTOR (NETZSTROMKABELANSCHLUß)

Nachdem Sie alle Anschlüsse an den Verstärker vorgenommen haben, das Netzkabel in eine stromführende Netzsteckdose stecken bzw. an ein Hochleistungs-Verlängerungskabel anschließen.

BEDIENLEISTE

DIE FUNKTION VON STROM-, LAUTSPRECHER- UND KOPFHÖRERTASTEN

1. POWER (STROM)

Durch Drücken dieser Taste das Gerät einschalten; durch erneutes Drücken das Gerät ausschalten.

2. LAUTSPRECHERTASTE SPEAKERS

Mit der Taste SPEAKERS werden die an die Klemmen FRONT, CENTRE und REAR angeschlossen Lautsprecher ein- und ausgeschaltet. Bei eingeschalteten Lautsprechern leuchtet die Meldeleuchte SPEAKERS.

3. BETRIEBSBEREITSCHAFTSMODUS STANDBY

Die grüne Bereitschaftslampe zeigt an, daß das AV 711 mit Strom versorgt wird, die Anlage jedoch ausgeschaltet ist. Über die Taste POWER wird das Gerät eingeschaltet und die schaltbaren Netzausgänge werden mit Strom versorgt. In der Anzeige werden die derzeitigen Einstellungen des AV 711 angezeigt.

Durch abermaliges Drücken der Taste POWER schaltet das AV 711 auf Bereitschaft. Im Bereitschaftsbetrieb speichert das AV 711 die aktuellen Eingaben und Betriebseinstellungen in einem nichtflüchtigen Speicher; beim nächsten Einschalten werden diese Modi automatisch wiedergewählt. Im nichtflüchtigen Speicher speichert das AV 711 außerdem die Vorgaben für den Tuner und die DOLBY PRO LOGIC-Einstellungen, damit diese bei Umschalten auf Bereitschaft bzw. Ausschalten nicht verlorengehen (bis zu zwei Wochen; nach zwei Wochen wird der Speicher gelöscht). Im Normalbetrieb zeigen die Bereitschaftslampen an, wenn ein Signal von der Fernbedienung empfangen wird.

VORSICHT: Im Betriebsbereitschaftsmodus STANDBY steht das AV711 noch unter Strom. Wird das AV711 längere Zeit nicht benutzt, das Gerät vom Netz trennen.

4. HEADPHONE SOCKET (KOPFHÖRERANSCHLUß)

Ein 1/4" Stereo-Stecker für Kopfhörer ist im Lieferumfang enthalten. Der Stecker ist mit eigenem Verstärker ausgestattet, der Antriebssignale für herkömmliche Kopfhörer beliebiger Impedanz liefert. Signalaufnahme erfolgt von den vorderen linken und rechten Kanälen und funktioniert mit allen Eingängen; Raumton-Betrieb wird jedoch als Zweikanal-Stereobetrieb wiedergegeben. Lautstärke, Ton- und Balanceregulierung funktionieren für die Kopfhörer. Die Kopfhörer über einen passenden Adapter an andere Anschlüsse wie beispielsweise 3,5 mm Buchsen eines Stereo-Walkman anschließen.

Warnung: Abhören bei hohen Lautstärken schadet Ihrem Gehör.

DIE FUNKTIONEN VON LAUTSTÄRKE-, BALANCE- UND TONREGLER

5. VOLUME (LAUTSTÄRKE)

Mit dem Lautstärkereglern VOLUME wird die Lautstärke der an die Lautsprecher gespeisten Signale eingestellt. Der Regler VOLUME hat keinen Einfluß auf über Band- bzw. Videoleitungsausgänge angefertigte Aufnahmen.



6. BASS & TREBLE CONTROLS (TIEFTON- UND HÖHENSTELLER)

Das AV 711 ist mit Tiefton- und Höhenstellern BASS und TREBLE zur Einstellung des Klangbildes ausgestattet.

In der Mittelstellung (gerastet bei 12 Uhr) werden die hohen und tiefen Frequenzen linear übertragen. Drehung nach rechts (im Uhrzeigersinn) hebt die Lautstärke der tiefen bzw. hohen Töne an. Drehung nach links (gegen den Uhrzeigersinn) setzt die Lautstärke der tiefen und hohen Töne herab. Die Regler wirken nur auf den linken und den rechten Vordergrundlautsprecher. Im DOLBY PRO LOGIC- bzw. HALL-Modus sprechen Zentral- und Raumton-Lautsprecher linear an; die Tonregeleinstellungen bleiben wirkungslos. Die Tonregler haben keinen Einfluß auf über Band- bzw. Videoleitungsausgänge angefertigte Aufnahmen.

7. BALANCE

Mit dem BALANCE-Steller wird die relative Lautstärke des linken und des rechten Vordergrundlautsprechers eingestellt. In der gerasteten 12-Uhr-Mittelstellung ist die Lautstärke an den linken und den rechten Kanal gleich.

Durch Drehung des Balancestellers nach rechts (im Uhrzeigersinn) wird die Balance nach rechts verlagert. Durch Drehen des Balancestellers nach links (gegen den Uhrzeigersinn) wird die Balance nach links verlagert. Der Balancesteller hat keinen Einfluß auf über Band- bzw. Videoleitungsausgänge angefertigte Aufnahmen.

8. TONE DEFEAT

Der Schalter TONE DEFEAT umgeht die Tonregelung des AV 711. Wenn die Tonregler normalerweise nicht benutzt und in der 12-Uhr-Mittelstellung belassen werden, wird die Tonregelung am besten über diesen Schalter ausgeschaltet. In der AUS-Stellung sind die Tonregelkreise aktiv; durch Eindrücken des Schalters TONE DEFEAT wird die Tonregelung übergangen. In der Anzeige wird angezeigt, wenn TONE DEFEAT eingeschaltet ist.

INPUT UND MONITOR WÄHLER (EINGANGS- UND MONITOR-WÄHLER)

9. VIDEO 1, VIDEO 2, TAPE 1, TAPE 2, MONITOR, FM, AM, AUX, CD (VIDEO 1, VIDEO 2, BAND 1, BAND 2, MONITOR, UKW, MW, AUX, CD)

Mit diesen Tasten wird der aktive Eingang an das AV 711 gewählt und das Signal an die Ausgänge für Lautsprecher, Band, Video 2 und Fernseh-Monitor gesandt.

Der Name des Eingangs- und Raumton-Modus erscheint in der Anzeige.

VIDEO 1

Wählt das Signal des an VIDEO 1 angeschlossenen Stereo-/Fernseh-/Satelliten-/Kabelempfängers bzw. Laserdiskettengeräts als aktiven Eingang.

VIDEO 2

Wählt den an VIDEO 2 angeschlossenen Videocassettenrecorder als aktiven Eingang. Bei Anwahl erscheint Video 1 oder 2 in der Anzeige.

TAPE 1 (BAND 1)

Wählt Band 1 als aktiven Eingang.

TAPE 2 MONITOR (BAND 2-MONITOR)

Wählt das Signal vom Ausgang TAPE 2 des Tonbandgerätes. TAPE 2 MONITOR speist das Signal direkt an den Hauptverstärker des AV 711 und übersteuert die aktuelle Eingangswahl nicht. Ist bei Wahl von TAPE MONITOR CD der aktive Eingang, dann wird das CD-Signal weiterhin an die Aufnahmeausgänge von TAPE 1, TAPE 2 und VIDEO 2 gesandt, während das Signal von TAPE 2 in den Lautsprechern und Kopfhörern gehört wird. Bei Anwahl von TAPE 2 MONITOR erscheint T-2 Monitor in der Anzeige.

FM

Wählt UKW-Radiosender. Bei Wahl einer UKW-Vorgabe wird diese auch automatisch gewählt.

AM

Wählt MW-Radiosender. Bei Wahl einer AM-Vorgabe wird diese auch automatisch gewählt.

AUX

Wählt das angeschlossene Audiogerät als aktiven Eingang.

CD

Wählt den CD-Player als aktiven Eingang.

SURROUND- UND CDR-FUNKTIONEN (RAUMTON- UND CDR-FUNKTIONEN)

10. SURROUND (RAUMTON)

Über die Taste SURROUND wird der Raumton-Betrieb des AV 711 gewählt. Durch Drücken der Taste SURROUND wird durch die drei Modi geschaltet : DOLBY PRO LOGIC, DOLBY 3 STEREO, HALL und BY-PASS (normaler Stereobetrieb)

DOLBY PRO LOGIC and DOLBY 3 STEREO dekodiert die Raumton-Signale, die in den Tonspuren von Video- und Fernsehfilmen encodiert sind. Zur korrekten Dekodierung muß das Video- bzw. Fernsehsignal von einer Dolby-Surround- bzw. einer Dolby Stereo-Tonspur kommen und von einem Stereo-videocassettenrecorder, Fernsehgerät bzw. Satelliten/Kabelempfänger stammen.

Der HALL-Modus produziert einen Raumton-Effekt von einer normalen Stereoquelle wie beispielsweise ein CD-Player oder ein UKW-Radio.

BY-PASS schaltet auf normalen Stereobetrieb.

Der angewählte Betrieb erscheint 3 Sekunden lang im Hauptteil der Anzeige; im Raumtonbetriebsbereich der Anzeige wird er kontinuierlich angezeigt.

Als zusätzliches Merkmal speichert das AV 711 den von Ihnen für einen bestimmten Eingang gewählten Raumton-Modus. Bei der nächsten Anwahl dieses Eingangs wählt das AV 711 automatisch den gleichen Raumton-Modus. Wenn Sie normalerweise den DOLBY PRO LOGIC-Modus für die Eingänge

Video 1 und Video 2, den HALL, DOLBY 3 STEREO-Modus für FM, und By-Pass-Modus (Stereobetrieb) für die anderen Eingänge verwenden, dann stellt sich das Gerät bei Drücken des Eingangswahlschalters automatisch auf den richtigen Raumton-Modus ein, ohne daß Sie die Taste SURROUND drücken müssen.

11. CENTER

Wählt die Zentrallautsprecherart, die für die Hauptlautsprecheranlage (SPEAKER A) benutzt wird. Durch Drücken der Taste CENTER werden die drei Optionen durchblättert: NORMAL, PHANTOM und WIDEBAND. Bei Dolby Pro Logic die Einstellungen NORMAL, WIDEBAND, PHANTOM und bei Dolby 3 Stereo die Einstellungen NORMAL, WIDEBAND benutzen.

NORMAL-Modus wird angewandt, wenn der Zentrallautsprecher kleiner ist als der linke und rechte Vordergrundlautsprecher. Dieser Modus erzeugt ein echtes mittiges Klanggeschehen, bei dem die sehr niedrigen Frequenzen (unter 70 Hz) ausgefiltert werden.

WIDEBAND wählen, wenn der Zentrallautsprecher dem vorderen linken und rechten Vordergrundlautsprecher ähnlich ist. Hierbei wird das Klanggeschehen mit vollem Frequenzbereich und ohne Niederfrequenzfiltrierung mittig abgebildet.

PHANTOM-Modus (Scheintonmodus) wählen, wenn kein Zentrallautsprecher vorhanden ist. Das AV 711 verteilt die zentralen Signale gleichmäßig auf den linken und den rechten Vordergrundlautsprecher, wobei eine mittige Scheintonquelle geschaffen wird.

Der angewählte CENTER-Modus wird im Hauptbereich des Anzeigefeldes 3 Sekunden lang angezeigt. Er wird abgespeichert und bei jedem Einschalten des AV 711 automatisch abgerufen. Diese Funktion läßt sich nur im DOLBY PRO-LOGIC-Modus ändern.

12. DELAY (SCHALLVERZUGSREGELUNG)

Im DOLBY PRO-LOGIC- oder HALL-Modus wird der Schallverzug entsprechend der Aufstellung der Raumton-Lautsprecher wie folgt eingestellt.

Durch Drücken der Taste DELAY die Verzögerungszeit im HALL-Modus im Bereich 5 ms bis 30 ms und im DOLBY PRO LOGIC-Modus im Bereich 15 ms bis 30 ms jeweils um 5 ms erhöhen. Verschiedene Verzögerungszeiten können für DOLBY PRO-LOGIC- und HALL-Modi abgespeichert und jedesmal abrufen werden, wenn diese Modi gewählt werden. Diese Funktion läßt sich nur im DOLBY PRO-LOGIC- bzw. HALL-Modus ändern. (Siehe Abschnitt: EINRICHTEN DER RAUMTONANLAGE).

TUNER.

9. AM UND FM INPUT (MW- UND UKW-EINGANG)

Durch Drücken der Taste AM bzw. FM den gewünschten Tuner-Betrieb wählen. Im Anzeigefeld erscheint die Frequenz des aktuellen Senders und die gewählte Vorgabe und gegebenenfalls die Vorgabe-Speicherbank.

13. TUNE (ABSTIMMUNG)

Mit den Abstimmungstasten können Sie Sender bzw. Sendervorgaben entweder im MANUAL- oder im SEARCH-Modus wählen. MANUAL: Die Taste wiederholt drücken, um die Frequenz zu erhöhen bzw. zu senken (Stufenwert im UKW-Bereich 50 kHz und im MW-Bereich 10 kHz (oder 9 kHz in Europa).

SEARCH-Modus: Die Taste länger als eine halbe Sekunde gedrückt halten; der Tuner schaltet auf Sendersuchlauf und stoppt beim nächsten Sender. Nach Empfang eines Senders leuchtet im Anzeigefeld die Meldung TUNED. Die Sendersuchlauf-Einrichtung gilt nur bei FM (MW).

14. PRESET (VORGABE-WAHLTASTE)

Durch Drücken der Vorgabe-Wahltaste PRESET eine Sendervorgabe anrufen bzw. programmieren. Die 30 Sendervorgaben können wahlweise MW- oder UKW-Sender sein; es werden bis zu 10 Sendervorgaben in 3 Vorgabe-Speicherbanken gespeichert. Die Vorgabenummer erscheint im Anzeigefeld.

15. BANK (SPEICHERBANK)

Mit der Taste BANK zwischen den drei Speicherbanken (A, B oder C) der Tuner-Vorgaben schalten. Sinnvollerweise können Sie zwei Speicherbanken für UKW-Sender und eine Speicherbank für MW-Sender benutzen; UKW- und MW-Sender können jedoch auch zusammen in einer Vorgaben-Speicherbank gespeichert werden. Die angewählte Speicherbank erscheint in der Anzeige.

16. MEMORY (SPEICHER)

Im Speicher werden neue Sendervorgaben gespeichert.

17. FM MUTE/MODE (UKW-DÄMPFUNG/MODUS)

Die Taste FM MUTE/MODE schaltet zwischen Dämpfung Ein/Stereo- und Dämpfung Aus/Mono-Betrieb. Im normalen Betrieb (FM MUTE ON - UKW-Dämpfung eingeschaltet) wird der Tuner bei schwachem bzw. keinem Signal stumm gehalten, bis ein Sender mit angemessen starkem Signal gefunden wird. Durch Drücken der Taste FM MUTE/MODE die Dämpfung ausschalten, damit auch schwach einfallende Sender aufgeschaltet werden können. Über FM MUTE OFF wird auch die UKW-Stereoeinrichtung ausgeschaltet.

Bei UKW-Stereoempfang schaltet das AV 711 automatisch auf UKW-Stereobetrieb; im Anzeigefeld leuchtet die STEREO-Meldelampe. Bei schwachen Stereosignalen entsteht gegebenenfalls starkes Sirren. Durch Drücken der Taste FM MUTE OFF am AV 711 den Tuner auf Monobetrieb schalten, um das Sirren auszuschalten.

Der Schaltzustand der Funktion FM MUTE erscheint im Anzeigefeld.

MW- UND UKW-SENDER SUCHEN UND SPEICHERN

Eine schon bekannte Senderfrequenz kann manuell gewählt werden; vorhandene Sender können

im Sendersuchlauf-Modus automatisch gewählt und mit der Taste MEMORY gespeichert werden.

Zuerst den MW- bzw. UKW-Wellenbereich über die Eingabetaste AM oder FM wählen. Die entsprechende Taste TUNE ▲ oder ▼ 1/2 Sekunde lang drücken, um den Sendersuchlauf auszulösen. Die Sendersuchautomatik stoppt beim ersten angemessen starken Signal. Den Sender gegebenenfalls durch Drücken der Taste MEMORY als Vorgabe abspeichern. Die Meldelampen MEMORY und PRESET und die Vorgabenummer blinken 8 Sekunden lang oder solange Sie Vorgabeinformationen eingeben.

Durch Drücken der Taste BANK die Vorgabe-Speicherbank zum Abspeichern des Senders wählen. Die gewünschte Vorgabenummer mit den Tasten TUNE ▲ oder ▼ für den Sender wählen. Die aktuelle Vorgabenummer erscheint im Anzeigefeld.

Die Taste MEMORY erneut drücken, um diese Frequenz als die gewählte Vorgabe abzuspeichern. Das AV 711 schaltet wieder auf Normalbetrieb.

Die Vorgabeinformationen bleiben erhalten, bis Sie den Vorgabespeicher aktiv löschen.

ABRUF DER SENDERVORGABEN

Eine Sendervorgabe durch Drücken der Taste PRESET abrufen. Die Vorgabe-Meldelampe leuchtet und die zuletzt gewählte Sendervorgabe wird abgerufen. Um eine andere Sendervorgabe zu wählen, gehen Sie wie folgt vor: Die Taste BANK drücken, um die gewünschte Senderspeicherbank zu wählen. Die Taste PRESET drücken. Die Taste TUNE drücken, um die vorhandenen Vorgaben durchzublättern, bis in der Anzeige die gewünschte Vorgabenummer erscheint; freie Vorgaben werden hierbei übersprungen.

Mit der Taste BANK an der Fernbedienung die Speicherbankgruppe wählen; die Taste RESET (die Taste + bzw. -) drücken.

SENDERVORGABEN LÖSCHEN

Zuerst die Sendervorgabe wählen. Die Taste MEMORY gedrückt halten und die Taste FM MUTE/MODE drücken. Die Vorgabe sowie die Vorgabenummer im Anzeigefeld wird gelöscht.

SLEEP- UND MUTE-FUNKTIONEN

Die Steuertasten für die SLEEP- und MUTE-Funktionen stehen nur an der Fernbedienung zur Verfügung.

SLEEP

Durch Drücken der Taste SLEEP das AV 711 automatisch nach einer vorgegebenen Anzahl Minuten ausschalten lassen. Wird die Taste SLEEP einmal gedrückt so schaltet Ihr AV 711 nach 90 Minuten automatisch auf Bereitschaft. Im Anzeigefeld werden SLEEP-Betrieb sowie die Schaltdauer angezeigt. Zur Änderung der Schaltdauer, die Taste SLEEP gedrückt halten, wobei die angezeigte Schaltdauer um jeweils 10 Minuten reduziert wird. Zum Löschen des SLEEP-Modus, die Taste SLEEP

so lange heruntergedrückt halten, bis im Anzeigefeld der Quellename erscheint. Wahlweise SLEEP-Modus durch Drücken der Taste POWER löschen.

MUTE

Durch Drücken der Taste MUTE die Tonwiedergabe an Lautsprecher und Kopfhörer vorübergehend stummschalten. Im Anzeigefeld erscheint die Meldung AUDIO MUTE. Tonwiedergabe durch abermaliges Drücken der Taste MUTE wiederherstellen.

EINRICHTEN DER RAUMTONANLAGE

Zur Leistungsoptimierung ist die Ausgangslautstärke der Raumtonanlage des AV 711 so einzustellen, daß der Ton aus allen Lautsprechern gleichmäßig gestreut wird. Die Zeitverzögerung der Raumton-Lautsprecher ist auch auf Ihren normalen Abhörstandpunkt einzustellen.

Die Lautsprecher-Lautstärken werden über die Prüf- und Lautsprecher-Lautstärkeregler an der Fernbedienung eingestellt.

Zuerst sind alle Lautsprecher der Anlage phasenrichtig einzustellen. Die Plusklemmen (+) der Lautsprecherausgänge des Verstärkers an die Plusanschlüsse (+) der entsprechenden Lautsprecher anschließen.

Vorab den CENTER-Modus auf Ihre Lautsprecheranordnung einstellen. Die Tonreglersperre TONE DEFEAT auf ON stellen und den Balance-regler auf die normale Position für Stereoquellen (normalerweise die 12-Uhr-Stellung) stellen.

MIT DER PRÜFEINRICHTUNG DIE RAUMTON-LAUTSTÄRKEN EINSTELLEN

Die Lautsprecher anschließen und die Lautstärke (VOLUME) auf Null herabregeln. PRO LOGIC, DOLBY 3 STEREO-Modus wählen und an der Fernbedienung die Taste TEST drücken. Darauf wird ein Testsignal an jeden Lautsprecherkanal der Reihe nach (links, Mitte, rechts für Dolby 3 Stereo) gesendet, wobei jeder Kanal vom Abhörbereich aus auf gleiche Lautstärke eingeregelt werden kann. Im Anzeigefeld wird der jeweils angesprochene Lautsprecher angezeigt.

Die Lautstärke (VOLUME) an den linken und den rechten Lautsprecher mäßig einstellen. Wenn das Prüfsignal am Zentrallautsprecher anlangt, die Tasten CENTER VOLUME ▲ oder ▼ an der Fernbedienung drücken, um die Lautstärke auf die der linken und rechten Lautsprecher einzuregulieren. Die relative Lautstärke des mittigen Kanals erscheint im Anzeigefeld und der dB-Wert wird stufenweise geändert. Unter -20 dB werden die Stufen immer größer.

Nach Einregeln des mittigen Kanals schaltet das Prüfsignal automatisch abwechselnd unter den Lautsprechern. Den Vorgang wiederholen, bis Sie zufrieden sind, daß die Lautstärken ausgewogen sind.

Den Vorgang wiederholen, um die Lautstärke der Raumton-Lautsprecher mit den Tasten REAR VOLUME ▲ oder ▼ an der Fernbedienung einzustellen. Einstellungen in den Betriebsarten Dolby Pro Logic beeinflussen gleichzeitig die Lautstärke der beiden Raumtonlautsprecher.

Mit einem Schallstärkenmesser läßt sich die Einstellung noch genauer vornehmen. Den Schallstärkenmesser auf die Modi 'Slow' und 'C-weighted' stellen und die Einstellungen in mehreren verschiedenen Positionen im Abhörbereich nachprüfen.

Bei vorhandenem Sub-Woofers diesen herabregeln, bis er noch hörbar ist, jedoch den Schall nicht übertönt. Die Lautstärke des Sub-Woofers kann hinterher mit Programmmaterial nachgestellt werden.

EINSTELLUNG DER RAUMTON-ZEITVERZÖGERUNG.

Die Raumton-Lautsprecher sind normalerweise dem Zuhörer näher als die Vordergrundlautsprecher; die empfundene Tonquelle liegt folglich hinten, weil die zuerst am Kopf anlangenden Tonsignale vorrangig vom Ohr aufgenommen werden. Zum Ausgleich ist im DOLBY PRO LOGIC-Schaltkreis eine Raumton-Zeitverzögerung eingebaut, wodurch der Ton aus den Raumton-Lautsprechern immer mit Verzögerung nach dem Ton von den Vordergrundlautsprechern beim Zuhörer ankommt.

Die Zeitverzögerung hängt vom relativen Abstand zwischen den Vordergrund- und Raumton-Lautsprechern und dem Abhörbereich ab.

Den Abstand zwischen den Raumton-Lautsprechern und dem Abhörbereich aufschreiben. Den Abstand zwischen den Vordergrund-Lautsprechern und dem Abhörbereich aufschreiben. Aufgrund der nachfolgenden Kurve den Schnittpunkt der beiden Abstände merken; dieser Wert entspricht der gewünschten Zeitverzögerung.

Zur Einstellung der Zeitverzögerung auf DOLBY PRO LOGIC-Modus schalten und an der Bedienleiste bzw. an der Fernbedienung die Taste DELAY drücken. Die Taste DELAY so lange drücken, bis im Anzeigefeld der richtige Wert erscheint.

Lautstärke und Zeitverzögerungswerte werden gespeichert und bei Wiedereinschalten automatisch abgerufen.

Schreiben Sie in den nachfolgenden Kästchen Ihre Einstellungswerte auf. Wenn sie unbeabsichtigt geändert werden, können sie ohne den Prüfvorgang neu eingestellt werden.

FERNBEDIENUNG

Über die Fernbedienung RC711 werden alle Hauptfunktionen des AV 711 sowie NAD-Cassettenrecorder und CD-Geräte gesteuert. Die Reichweite der Fernbedienung beträgt 5 m.

Die Modus- und Einricht-Nebenfunktionen haben schwarze Tasten. Die Einschalt- und Aufnahmetasten (letzte für NAD-Cassettenrecorder) sind rot.

Einzelne Funktionen sind in den vorstehenden Abschnitten erklärt.

- POWER** Schaltet das AV 711 ein bzw. auf Bereitschaft.
- SURROUND MODE** Wählt DOLBY PRO LOGIC-, HALL- oder By-Pass-Modus
- SLEEP** Schaltet das AV 711 auf SLEEP-Modus.
- TAPE 1** Wählt Band 1 als aktiven Eingang.
- TAPE 2** Wählt Band 2-Monitor.
- TUNER** Wählt den Tuner als aktiven Eingang.
- AUX** Wählt als aktiven Eingang.
- CD** Wählt CD als aktiven Eingang.
- VIDEO1** Wählt VIDEO 1 als aktiven Eingang.
- VIDEO2** Wählt VIDEO 2 als aktiven Eingang.
- TUNER BANK** Wählt eine Sendervorgabenbank.
- PRESET ▲ ▼** Wählt eine Sendervorgabe.

CASSETTE DECK CONTROL

(für Anwendung mit NAD-Cassettenrecorder)

- DECK A, DECK B** Wenn nur ein Cassettenrecorder angeschlossen ist, die Bedienelemente für Tonbandgerät B verwenden).
- ◀ Rückwärts abspielen
- ▶ Vorwärts abspielen
- /|| Aufnahme und Pause
- Stopp
- ◀◀ Zurückspulen
- ▶▶ Schnellvorlauf

CD PLAYER CONTROL

(zur Anwendung mit dem NAD CD-Player)

- DISC** Nächste CD.(für NAD CD-Wechsler)
- ▶ Abspielen
- || Pause
- Stopp
- I◀◀ Vorherige Spur
- ▶▶I Nächste Spur.

- DELAY** Zeitverzögerung einstellen
- TEST** Löst den Raumton-Prüfvorgang aus.
- MUTE** Dämpft alle Tonsignale.
- CENTER ▲ ▼** Stellt die relative Lautstärke des mittigen Lautsprechers ein.
- VOLUME**
- REAR ▲ ▼** Stellt die relative Lautstärke des Raumton-Lautsprechers ein.
- VOLUME ▲ ▼** Erhöht bzw. mindert die Lautstärke über den motorisierten Regler an der Bedienleiste.

BATTERIEN

Für maximale Lebensdauer werden Alkali-Zellen empfohlen. Im Batteriefach hinten in der Fernbedienung befinden sich zwei Mignon-Zellen. Die

Datum:	RAUMTON	MITTE	VERZÖGERUNG (ms)
PRO-LOGIC			
DOLBY 3 STEREO	_____		_____
HALL		_____	



Zellen immer lagerichtig gemäß der Abbildung im Boden des Batteriefaches einlegen.

ANHANG

EINE KURZE EINFÜHRUNG IN DEN RAUMTON.

Seit Mitte der siebziger Jahre wurden zunehmend Filme mit Dolby Stereo-Tonspur gedreht, dem Vierkanalstereo-Raumtonsystem, das in den meisten Kinos heutzutage eingebaut ist.

Die Dolby Stereo-Tonspur läßt sich problemlos auf VHS-Videocassette, Laserdiskette oder Video-CD übertragen. Das auf den Hausgebrauch abgestimmte Dolby-Stereosystem heißt Dolby Surround.

Bei den meisten Videofilmen sind diese Dolby Surround-Informationen mitcodiert. Dolby Surround wird auch bei Fernsehprogrammen und Musik-CDs eingesetzt, die alle mit Ihrem AV 711 dekodiert werden können.

Im Gegensatz zu Vierkanalstereo, wobei Töne gezielt aus allen Richtungen ausgestrahlt werden, wird bei Dolby Surround ein klangreines Vordergrund-Tonbild mit begleitendem Raumton erzeugt.

Optimal beim Raumton ist eine indirekte Schallausstrahlung. Dies wird beispielsweise durch Dipol-Lautsprecher erzielt, die nach vorne und nach hinten die Wände entlang strahlen. Es können wahlweise auch kleine Standard-Lautsprecher eingesetzt werden, die aber nicht direkt auf den Abhörbereich zeigen dürfen. Die Lautsprecher immer versuchsweise in verschiedenen Positionen aufstellen, bis Sie die optimale Anordnung feststellen.

AUFSTELLUNG DER LAUTSPRECHER

Die Aufstellung der Lautsprecher im Pro Logic-Surround-System ist für die Leistung des Systems ausschlaggebend.

VORDERGRUNDLAUTSPRECHER

Der linke und der rechte Vordergrundlautsprecher im gleichen Abstand beidseitig vom Fernseher aufstellen. Den Zentrallautsprecher entweder unter- oder oberhalb des Fernsehgerätes - also in enger Verbindung mit dem Bildschirmgeschehen - aufstellen.

RAUMTON-LAUTSPRECHER

Mit den Raumton-Lautsprechern werden keine richtungsgezielten Töne sondern eine diffuse Stereoabbildung erzeugt. Die Raumton-Lautsprecher sind am besten hoch an der Wand bzw. auf dem Regal an den Seitenwänden, an der rückwärtigen Wand oder in den hinteren Ecken aufzustellen. Die Lautsprecher können zur Erhöhung der Tonstreuung auf der Seite bzw. Rückseite liegend angeordnet werden, wobei der Ton von der Decke und den oberen Wänden dem Zuhörer zurückgestrahlt wird.

SUB-WOOFER

Der Sub-Woofers kann beliebig im Zimmer aufgestellt werden, weil die von Sub-Woofers erzeugten Tieftöne richtungsdiffus sind. Wenn Sub-

Woofers neben der Wand oder in der Ecke stehen, so wird die Baßfülle erhöht.

WOZU EIN ZENTRALLAUTSPRECHER?

Der DOLBY PRO LOGIC-Decoder hat drei Vordergrund-Tonsignalausgänge: links, Mitte, rechts. Bei den meisten Tonspuren werden die Stimmen nur über den mittigen Kanal und die Nebentöne und die Musik über alle drei Vordergrundkanäle übertragen.

Mit Hilfe des Mittelkanal-Lautsprechers werden die Stimmen auch bei den stärksten Nebenton- und -musikeinlagen verständlich. Das Stereobild wird mit drei Vordergrundlautsprechern auch beständiger, wodurch der Abhörbereich größer wird.

Wenn Sie das AV 711 mit nur zwei Vordergrundlautsprechern betreiben, stellen Sie den CENTER-Modus auf PHANTOM (Scheinton), wobei die Informationen des mittigen Lautsprechers auf den linken und rechten Lautsprecher verlegt werden. Hierdurch entsteht eine mittige Schallquelle.

Optional ist ein Zentrallautsprecher zu verwenden, und zwar gleicher Art wie der linke und rechte Lautsprecher. Wahlweise stehen neue Lautsprecher - wie beispielsweise der NAD 808CC - die für den Einsatz als Zentrallautsprecher bei bestehenden Stereoanlagen konstruiert sind - zur Verfügung.

VORSICHT: Geschirmten Lautsprechers in der Nähe des Bildschirms können die Farben des Bildes verzerrt werden (siehe Lautsprecher-Anweisungen). Ungeschirmte Lautsprecher können in der Regel nicht für den Einsatz in nächster Nähe eines Bildschirms abgeändert werden.

WOZU EIN SUB-WOOFER?

In der Filmttonspur ist häufig ein hoher Anteil von Niederfrequenz-Nebentönen vorhanden, die normale Stereolautsprecher nur bedingt wiedergeben. Zur Wiedergabe dieser Tieffrequenzen können Sie einen für diesen Zweck konstruierten Tieftöner mit eingebautem Verstärker verwenden. Weil die Tonquelle bei Tieftönen diffus ist, wird normalerweise nur ein Sub-Woofers benötigt, der beliebig im Zimmer aufgestellt werden kann. Der SUBWOOFER-Ausgang des AV 711 ist für den Anschluß eines Sub-Woofers ausgelegt.

PHASENRICHTIGER ANSCHLUSS DER LAUTSPRECHER

Die drei Vordergrundlautsprecher eines Heimkinosystems müssen unbedingt phasenrichtig angeschlossen sein, um eine gute Stereoabbildung oder ein Auslöschen tiefer Frequenzen zu erzielen. Bei Lautsprechern und Leistungsverstärkern aus einer Hand wird phasenrichtiger Anschluß durch Anschluß der roten Klemme (Pluspol) am Verstärker an die rote Klemme (Pluspol) des Lautsprechers sichergestellt.

Bei Verstärkern bzw. Lautsprechern verschiedener Fabrikate- und Überbrückungsmodus des Verstärkers - kann die Phase in manchen Verstärkern oder Lautsprechern intern verpolt sein. Es gilt also einen Phasentest durchzuführen.

Den Phasentest wie folgt durchführen: Das AV 711 auf DOLBY PRO LOGIC und MUTE OFF stellen und

einen UKW-Sender wählen. Es steht jetzt das gleiche Tonsignal an allen drei Vordergrundlautsprechern an. Die Raumton-Lautsprecher und den rechten Vordergrundlautsprecher abhängen. Ein Tonbild mit Quelle zwischen dem mittigen und dem linken Vordergrundlautsprecher müßte jetzt zu hören sein. Ist das Klangbild diffus und richtungsunabhängig, die Anschlüsse an den Zentrallautsprecher umpolen. Die Tonquelle müßte jetzt zwischen dem linken und dem mittigen Lautsprecher liegen.

Den rechten Vordergrundlautsprecher wieder anschließen und den linken Vordergrundlautsprecher abhängen. Mit dem mittigen und rechten Vordergrundlautsprecher den obigen Vorgang wiederholen. Bei Phasenberichtigung den Anschluß nur am rechten Lautsprecher umpolen.

Raumton-Lautsprecher sind normalerweise phasenrichtig, wenn sie richtig angeschlossen wurden.

Die relative Phase zwischen Vordergrundlautsprechern und den beiden Raumton-Lautsprechern bzw. dem Sub-Woofer läßt sich nicht eindeutig bestimmen. Wenn die rote Plusklemme (+) des Verstärkers an den roten Plusanschluß (+) des Lautsprechers angeschlossen ist, müßte das Ergebnis stimmen. In manchen Zimmern jedoch erzeugt eine Verpolung der Anschlüsse eine merkliche Erhöhung der Baßleistung oder eine Optimierung des gesamten Stereoklanggeschehens; es lohnt sich also, die Anschlüsse an beiden Raumton-Lautsprechern oder an den Sub-Woofer versuchsweise umzutauschen.

ANLAGENBEISPIELE

Aufgrund des AV 711 lassen sich zahlreiche Raumtonanlagen gestalten. Nachstehend werden eine Grundanordnung und eine anspruchsvolle Anordnung angeführt.

EINE GRUNDANORDNUNG BASIEREND AUF DEM AV 711

Diese Anordnung umfaßt das AV 711 mit Videogerät, Plattenspieler, CD-Player, Cassettenrecorder und Fernsehstereo-Vordergrundlautsprecher und Raumton-Lautsprecher wie beispielsweise NAD 805RC.

Plattenspieler, CD-Player und Cassettenrecorder werden jeweils an die Anschlüsse PHONO, CD und TAPE 1 (IN & OUT) angeschlossen.

Das Videogerät wird an VIDEO 1 angeschlossen, weil Videoaufnahmen über den internen Tuner des Videogerätes aufgenommen werden und das Videogerät folglich nur zum Abspielen durch die Anlage benutzt wird.

Der Leitungsausgang des Fernsehgerätes wird an MONITOR angeschlossen.

Weil bei Raumton-Lautsprechern aber kein Zentrallautsprecher vorhanden ist, wird der CENTER-Modus auf PHANTOM geschaltet.

EINE AUFWENDIGERE ANLAGE MIT DEM AV 711

In dieser Anlage ist das AV 711 das Kernstück eines aufwendigen Heimkinosystems. Dieses System enthält die Standardtongeräte wie auch audiovisuelle Eingabegeräte, nämlich Videogerät, Lasersdiskettenspieler oder Computerspielgerät. Der SUBWOOFER-Ausgang ist an einen eigenständigen Sub-Woofer angeschlossen. Das AV 711 ist auch an eine zweite Tonanlage in einem anderen Zimmer angeschlossen.

Plattenspieler, CD-Player und Cassettenrecorder sind jeweils an PHONO, CD und TAPE 1 (IN & OUT) angeschlossen.

Das Laserdisketten-/Computerspiel-Wiedergabegerät wird an die VIDEO 1 Audio- und Videoeingänge angeschlossen.

Das Videogerät wird an den Anschluß VIDEO 2 mit Audio/Videoeingängen und -ausgängen angeschlossen, um Aufnahmen aus anderen Videoquellen zu ermöglichen.

Der Ausgang TAPE 2 wird über Hochqualitäts-Phonoleitungen an den Nebenanschluß der HiFi-Anlage im Nebenzimmer angeschlossen, wobei die NAD-LINK-Einrichtung des Verstärkers Fernbedienungsinformationen an das AV 711 zurückleitet. Der Anschluß NAD-LINK OUT am zweiten Stereoverstärker ist an den Anschluß NAD-LINK IN am AV 711 zur Fernbedienung aus dem Nebenzimmer angeschlossen.

Der Videoeingang des Fernsehgerätes ist an MONITOR angeschlossen.



STÖRUNGSBESEITIGUNG

STÖRUNG	MÖGLICHE URSACHE
Kein ton	Netzstecker getrennt bzw. Ausgeschaltet. Netzkabel überprüfen. Hinterbandkontrolle an. <i>Hinterbandkontrolle abwählen.</i> Lautsprecherboxen nicht gewählt. <i>Lautsprecher wählen.</i> Dämpfung ein. <i>Dämpfung ausschalten.</i> Interne Sicherung durchgebrannt. <i>Fachhändler einschalten.</i>
Kein ton an einem kanal	Balanceregler verstellt. <i>Balanceregler mittig stellen.</i> Lautsprecher schlecht verbunden oder beschädigt. <i>Lautsprecher und Lautsprecheranschlüsse überprüfen.</i> Eingangs- oder Lautsprecherleitungen getrennt oder beschädigt. <i>Leitungen und Anschlüsse überprüfen.</i>
DOLBY PRO LOGIC UND HALL-MODI ohne wirkung	Lautsprecher B gewählt. <i>Lautsprechersatz A wählen.</i>
Kein ton an raumton-kanälen	Es wurde kein Raumton-Modus gewählt. <i>DOLBY PRO LOGIC- oder HALL-Modus wählen.</i> Tonquelle steht auf Mono. <i>System mit bekanntem Stereo- bzw. Dolby Surround-Material prüfen.</i> Lautsprecher nicht richtig angeschlossen oder beschädigt. <i>Lautsprecher und Anschlüsse überprüfen.</i> Raumton-Lautstärke zu niedrig. <i>Raumton-Lautstärke erhöhen.</i>
Kein ton an mittelkanälen	Als CENTER-Modus wurde PHANTOM gewählt. <i>Als CENTER-Modus NORMAL oder WIDE wählen.</i> BY-PASS-Modus wurde gewählt. <i>DOLBY PRO LOGIC- oder HALL-Modus wählen.</i> CENTER-Lautstärke zu niedrig eingestellt. <i>CENTER-Lautstärke erhöhen.</i>
Schwache basswiedergabe /diffuses stereobild	Lautsprecher nicht phasenrichtig verdrahtet. <i>Anschlüsse an alle Lautsprecher der Anlage überprüfen.</i>
Position des prüfsignals entspricht den prüfsignal-meldelampen nicht.	Lautsprecher an die falschen Ausgänge angeschlossen. <i>Anschlüsse an alle Verstärker und Lautsprecherkanäle überprüfen.</i>
Fernbedienung funktioniert nicht	Batterien leer oder falsch eingelegt. <i>Batterien überprüfen und ggf. erneuern.</i> Fenster des Infrarotsenders bzw. -empfängers versperrt. <i>Den Strahlengang räumen.</i>
Tuner-störung	Sirren - schwaches Signal. <i>Sender neu abstimmen. Antenne einstellen bzw. erneuern.</i> Verzerrung - durch Mehrwegübertragung. <i>Sender neu abstimmen. Antenne einstellen bzw. erneuern.</i> Pfeifen oder Summen bei FM und AM: Störung von anderen Elektrogeräten - Computern, Computerspielgeräten. <i>Sender neu abstimmen. Störquelle ausschalten bzw. entfernen.</i> Pfeifen oder Summen bei AM: Störung von Leuchtstofflampen oder Elektromotoren. <i>Sender neu abstimmen. MW-Antenne einstellen oder ersetzen.</i>

RECEPTOR AM/FM DE ENTORNO SONORO NAD AV 711



NOTAS SOBRE LA INSTALACION

Su AV 711 debe colocarse sobre una superficie firme y nivelada. Evite colocar el equipo a la luz directa del sol, cerca de superficies calientes y húmedas o en posiciones de ventilación defectuosa.

Ponga el equipo en estado de reserva antes de hacer cualquier conexión. Los fonoconectores de su AV 711 tienen colores según código para comodidad. El rojo y blanco son audio de Derecha e Izquierda, amarillo es vídeo combinado (línea) y NAD-Link (conexión NAD).

Para rendimiento y fiabilidad óptimos de conexión, use conductores y conectores de alta calidad. Los fonoconductores de audio funcionan correctamente para señales de vídeo, aunque recomendamos usar conductores específicos de vídeo si es posible. Asegure que los conductores y conectores no se dañen en modo alguno y que todos los conectores estén firmemente empujados en su posición.

Para el mejor rendimiento use conductores de altavoz de calidad de al menos calibre 16 o más gruesos. Si el equipo no va a usarse durante algún tiempo, desconecte el enchufe de la toma CA. Si en su VA 711 penetra agua, desconecte la alimentación eléctrica del equipo y quite el enchufe de la toma de CA. Haga que un técnico de servicio calificado inspeccione el equipo antes de intentar usarlo otra vez.

No quite la cubierta, en el interior no hay piezas cuyo servicio pueda hacer el usuario.

Use un paño seco suave para limpiar el equipo. Si es necesario, moje un poco el paño con agua jabonosa. No use soluciones que contengan benzol u otros agentes volátiles.

CONEXIONES DEL PANEL TRASERO

1.. CD INPUT (ENTRADA DE CD)

Entrada para del tocadiscos de CD/señal analógica de audio) u otra fuente de señal de nivel de línea. Use un conductor doble fono a fono para conectar las !Audio Outputs! (salidas de audio) a la entrada.

2. AUX INPUT

Selecciona el componente de audio auxiliar como entrada activa.

3. TAPE 1 (CINTA 1)

Conexiones para grabación y escucha analógica para una grabadora de cinta de audio de cualquier tipo, como cassettes, carrete-carrete, DAT, MD o DCC. Usando conductores dobles fono a fono, conecte a la 'Audio Output' (salida de audio) de izquierda y derecha de la máquina con los conectores TAPE 1 IN (escucha cinta 1) para la escucha. Conecte la 'Audio Input' (entrada de audio) de izquierda y derecha de la máquina de cinta a los conectores TAPE 1 OUT (grabación cinta 1) para grabar.

4. TAPE 2

Conexiones para grabación y escucha analógica para una segunda grabadora de cinta de audio de

cualquier tipo. Usando conductores dobles fono a fono, conecte a la 'Audio Output' (salida de audio) de izquierda y derecha de la máquina con los conectores TAPE 2 IN (escucha cinta 1) para la escucha. Conecte a la 'Audio Input' (entrada de audio) de izquierda y derecha de la máquina de cinta a los conectores TAPE 2 OUT (grabación cinta 1) para grabar.

5. VIDEO 1 (AUDIO)

Entradas para escucha de audio procedente de una máquina VCR u otro dispositivo de vídeo como un receptor de TV estéreo, TV satélite o cable o un Disco de Láser. Usando conductores dobles fono a fono, conecte la 'Audio Out' (salida de audio) izquierda y derecha del receptor de VCR/TV/LD/Satélite a estas entradas. Estas entradas de audio se usan junto con las entradas de vídeo combinadas (de línea) marcadas con VIDEO 1. Se usa VIDEO 1 sólo para escuchar, use VIDEO 2 si desea conectar una máquina VCR para grabar y escuchar a través del AV 711.

6. VIDEO 2 (AUDIO)

Conexiones para grabación de audio y escucha para una máquina VCR u otra grabadora de vídeo. Usando conductores dobles fono a fono, conecte la 'Audio Out' de izquierda y derecha de la máquina VCR a los conectores VIDEO 2 IN (entrada vídeo 2) para escucha. Conecte con la 'Audio In' de izquierda y derecha de la máquina VCR a los conectores VIDEO 2 OUT (salida vídeo 2) para grabar. Estas entradas de audio se usan con las entradas de vídeo combinadas (de línea) marcadas con VIDEO 2 IN y las salidas de vídeo marcadas con VIDEO 2 OUT.

7. SUBWOOFER OUT (SALIDA MONOFONICA)

Salida de línea adicional para conexión a un sistema de altavoz de sub-bajos con su propio amplificador de potencia.

8. AM ANTENNA (ANTENA DE AM)

Se suministra con el AV 711 una antena de bucle de AM que se necesita para la recepción de AM. Abra la palanca de terminal de grapa e inserte el hilo procedente de la antena. Si se cierra la palanca el hilo se queda fijo en posición (Fig. 2).

Si su AV 711 es un modelo estadounidense o canadiense, inserte el cable mientras mantiene apretada la palanca. Suelte la palanca para sujetar el cable en posición.

Compruebe varias posiciones para la antena, pero asegure siempre que el bucle esté verticalmente colocado para la mejor recepción. Si se coloca la antena junto a artículos metálicos grandes tales como estanterías metálicas o radiadores se puede interferir con la recepción.

9. FM ANTENNA (ANTENA DE FM)

Se incluye una antena de FM de hilo de cinta que debe conectarse al conector de FM en la parte trasera del equipo (Fig. 1). La antena de cinta debe montarse sobre una superficie vertical y colocarse de modo que forme una 'T'.

Experimente colocando la antena para hallar la posición que da la mejor fuerza de señal y el ruido de fondo más bajo. Normalmente una señal inadecuada de FM produce altos niveles de ruido sibilante, especialmente en estéreo, e interferencia desde las fuentes eléctricas externas. En áreas de defectuosa recepción de FM, se puede mejorar el rendimiento de la sección de sintonizador utilizando una antena de FM montada externamente. Un instalador calificado de antenas podrá asesorarle y montar una antena recomendada para las condiciones de recepción de usted.

10. SOFT CLIPPING (RECORTAMIENTO BLANDO)

Si un amplificador es excitado más allá de su salida de potencia especificada, se puede escuchar un sonido fuerte distorsionado con sonidos muy bajos. Esto se debe a que el amplificador está cortando o 'recortando en duro' los máximos del sonido que no está diseñado para reproducir. El circuito de Soft Clipping (Recorte Blando) NAD limita suavemente la salida del sistema para minimizar la distorsión audible si el amplificador se sobreexcita.

Si usted escucha con niveles de potencia moderados, puede dejar desconectado el Soft Clipping. Si es probable que escuche con niveles altos que superen la capacidad de potencia del amplificador, conecte el Soft Clipping.

11. VIDEO 1 (VIDEO)

Conexión para la entrada de señal de vídeo de Línea (Combinada) para VIDEO 1. Usando un fonoconductor, conecte la 'Video Out' (salida de vídeo) del equipo VCR, TV, Disco de Láser o satélite/cable. Se puede usar VIDEO 1 para escucha de vídeo solamente. Si quiere conectar un equipo VCR para grabar y escuchar a través del AV 711, use VIDEO 2.

12. VIDEO 2 (VIDEO)

Conexión para la entrada de señal de vídeo de Línea (Combinada) para VIDEO 2. Usando un fonoconductor, conecte la 'Video Out' (salida de vídeo) del equipo VCR a VIDEO 2 IN (entrada vídeo 2) para escucha. Conecte la VIDEO 2 OUT a la 'Video In' del equipo VCR para copiar señales de vídeo procedentes de VIDEO 1.

13. MONITOR VIDEO OUTPUT (SALIDA DE VIDEO DE MONITOR)

Salida de vídeo combinada (de línea) para conectar un equipo de TV o Monitor de Vídeo para visionar fuentes de vídeo conectadas a VIDEO 1 o VIDEO 2. Usando un fonoconductor, conecte la 'Video Line In' (entrada de línea de vídeo) en el equipo de TV o monitor a la MONITOR VIDEO OUTPUT (salida de vídeo de monitor). Esta salida también puede usarse como salida adicional de grabación si es necesario. Entonces el monitoreo del vídeo debe hacerse a través de la salida de la grabadora de vídeo.

14. FRONT SPEAKERS (ALTAVOCES DELANTEROS)

Estas salidas de altavoz se conectan y desconectan usando el pulsador SPEAKERS situado en el panel delantero.

Conecte el altavoz derecho a los terminales marcados con 'R +' y 'R -' asegurando que 'R +' esté conectado al terminal '+' de su altavoz y que 'R -' esté conectado al terminal '-' del altavoz. Conecte los terminales marcados con 'L +' y 'L -' al altavoz izquierdo de la misma manera.

Use siempre hilo de cordón para trabajos pesados (calibre 16 o más grueso) para conectar los altavoces a su AV 711.

Desenrosque el casquillo de plástico del terminal de altavoz hasta que quede expuesto el orificio que hay en el fuste del tornillo. Inserte el pasador o extremo de cable desnudo en el orificio y sujete el cable apretando el casquillo del terminal (Fig. 3).

Para evitar cualquier daño debido a que el metal desnudo de los cables de altavoz toque el panel trasero u otro conector, asegure que haya solamente 1,27 cm de cable desnudo o pasador y que no existan cordones sueltos del hilo de altavoz.

PRECAUCION: Este equipo se ha diseñado para producir calidad de sonido óptima cuando se conectan altavoces con impedancias dentro de las gamas establecidas. Le rogamos compruebe la información siguiente y elija los altavoces con la impedancia necesaria para las conexiones.

ALTAVOCES DELANTEROS: 4 ohmios mínimo por altavoz.

ALTAVOZ CENTRAL: 8 ohmios mínimo.

ALTAVOCES TRASEROS: 4 ohmios mínimo por altavoz.

15. CENTER SPEAKER (ALTAVOZ CENTRAL)

Conecta el altavoz central que se usa cuando el AV 711 funciona en modo Dolby Pro Logic. Conecte el 'Center +' al terminal '+' de su altavoz central y el 'Center -' al terminal '-' del altavoz. Pele 8 mm de aislamiento del extremo del cable de altavoz y doble los hilos desnudos de manera que no queden cordones sueltos. Abra la palanca de terminal de grapa e inserte el hilo. Al cerrar la palanca se queda fijo en posición el hilo. Este altavoz funciona con los Altavoces Delanteros y se conecta y desconecta usando el pulsador SPEAKERS (altavoces) del panel delantero.

16. REAR SPEAKERS (ALTAVOCES TRASEROS)

Conecta los altavoces traseros que se usan cuando el AV 711 funciona en modos Dolby Pro Logic o Hall (sala). Conecte el altavoz trasero derecho a los terminales marcados 'R +' y 'R -' asegurando que el 'R +' se conecte al terminal '+' de su altavoz y el 'R -' se conecte al terminal '-' del altavoz. Conecte los terminales marcados con 'L +' y 'L -' al altavoz izquierdo de la misma manera. Pele 8 mm de aislamiento del extremo del cable de altavoz y

doble los hilos desnudos de manera que no queden cordones sueltos. Apriete la palanca de terminal de grapa e inserte el cable. Al soltar la palanca queda sujeto el cable en posición.

Este altavoz funciona con los Altavoces Delanteros y se conecta y desconecta usando el pulsador SPEAKERS (altavoces) del panel delantero.

Estos terminales de grapa funcionan de la misma manera que los terminales del Altavoz Central.

* Fabricado bajo licencia de Dolby Laboratories Licensing Corporation. "Dolby" el símbolo de doble D " " y "Pro Logic" son marcas comerciales de Dolby Laboratories Licensing Corporation.

17. NAD-LINK IN OUT (ENTRADA/SALIDA DE CONEXION NAD)

El conector NAD-Link se usa para pasar órdenes desde el control remoto a/desde otros equipos que tienen conectores NAD-Link montados. Esto permite el control centralizado de un sistema completo o da control de sistema desde de una habitación. Para funcionar con otros equipos, conecte NAD-Link OUT (salida de conexión NAD) del AV 711 a la NAD-Link IN del otro equipo. Los conectores NAD-Link pueden encadenarse en margarita, IN a OUT, de modo que la totalidad del sistema se pueda controlar desde las facilidades de control remoto de un equipo.

Una sola conexión NAD-Link desde un sistema de alta fidelidad situado en una segunda habitación permite el control remoto de sistemas de Habitaciones Múltiples.

18. TOMAS DE CA (VERSIONES ESTADOUNIDENSES Y CANADIENSES SOLO)

Si se enchufa otro componente estéreo en la toma de CA NO CONECTADA, se alimenta electricidad esté su AV711 conecto o desconectado.

Las tomas CA desconectadas deben usarse con equipos con consumo eléctrico COMBINADO no superior a 120 vatios.

19. AC POWER CORD CONNECTOR (CONECTOR DE CORDON DE ALIMENTACION ELECTRICA CA)

Después de que haya completado todas las conexiones con el amplificador, enchufe el cordón de línea de CA a una toma de pared tipo "live" (con corriente) o a un cordón de extensión para trabajos pesados que se pueda conectar a una toma de pared.

CONTROLES DEL PANEL DELANTERO FUNCIONES DE ALIMENTACION, ALTAVOCES Y AURICULARES

1. POWER (ALIMENTACION)

Pulse este pulsador para conectar el equipo. Para desconectar el equipo, pulse este pulsador otra vez.

2. SPEAKERS (ALTAVOCES)

El pulsador SPEAKERS conecta los altavoces a los terminales de conexión o desconexión de los ALTAVOCES DELANTEROS, CENTRAL y TRASEROS.

OCES DELANTEROS, CENTRAL y TRASEROS. Cuando los altavoces están conectados, se enciende el indicador SPEAKERS.

3. STANDBY (RESERVA)

El indicador verde de estado de reserva señala que se suministra alimentación al AV 711, pero que el sistema está actualmente desconectado. Si se pulsa el interruptor de STANDBY se conecta el equipo. El panel visualizar indica los ajustes de corriente del AV 711.

Si se pulsa el interruptor STANDBY vuelve a ponerse el AV 711 en modo de Standby (Reserva). El AV 711 en Standby, memoriza la entrada de corriente y los ajustes de modo en una memoria no volátil y vuelve a seleccionar estos modos la vez siguiente que se conecta. Además el AV 711 usa la memoria no volátil para memorizar información preajustada, tanto para el sintonizador como para el ajuste de Dolby Pro Logic, de modo que no se pierdan cuando el equipo se desconecte de la alimentación CA. Durante el funcionamiento normal el indicador de reserva se enciende para señalar cuándo se recibe señal procedente del Control Remoto.

PRECAUCION: Cuando el equipo está en reserva, todavía se suministra alimentación eléctrica al AV 711. Desconecte el AV 711 de la toma de CA cuando no se esté usando durante largos períodos de tiempo.

4. HEADPHONE SOCKET (TOMA DE AURICULARES)

Se suministra una toma jack estéreo de 1/4" pulg. para escucha con auriculares. La toma tiene su propio amplificador que excita auriculares convencionales de cualquier impedancia. Toma su señal de los canales delanteros izquierdo y derecho y funciona con todas las entradas, aunque cualquier modo de entorno se escuchará como estéreo de dos canales. Los controles de volumen y tono y equilibrio funcionan para la escucha con auriculares. Use un adaptador adecuado para conectar los auriculares con otros tipos de conectores como los enchufes jack de 'estéreo personal' de 3,5 mm. Aviso: si se escucha con altos niveles pueden dañarse los oídos.

FUNCIONES DE VOLUMEN, EQUILIBRIO Y TONO

5. VOLUME (VOLUMEN)

El control VOLUME ajusta la altura general de las señales que se alimentan a los altavoces. El control VOLUME no afecta a las grabaciones que se hacen usando las salidas de línea Tape o Vídeo.

6. BASS & TREBLE (CONTROLES DE BAJOS Y AGUDOS)

El AV 711 está equipado con controles de tono BASS y TREBLE para ajustar la tonalidad general de su sistema.

La posición de las 12 horas es la de tono 'plano' sin refuerzo o corte y un detente indica esta posición. Gire el control a la derecha para aumentar la cantidad de Bajos o Agudos. Gire el control a la izquierda

para disminuir la cantidad de Bajos o Agudos. Estos controles afectan a los altavoces delanteros Izquierdo y Derecho sólo. En los modos Pro Logic o Hall, los altavoces Centrales y de Entorno mantienen una respuesta 'plana', sean cuales fueren los ajustes de control de tono. Los controles de Tono no afectan a las grabaciones que se hagan usando las salidas de línea Tape o Vídeo.

7. BALANCE (EQUILIBRIO)

El control BALANCE ajusta los niveles relativos de los altavoces delanteros Izquierdo y Derecho. La posición de las 12 horas provee un nivel igual para los canales Izquierdo y Derecho. Un detente indica esta posición.

Girando el control a la derecha se mueve el equilibrio hacia la derecha. Girando el control a la izquierda se mueve el equilibrio hacia la izquierda. El control BALANCE no afecta a las grabaciones hechas usando las salidas Tape o VCR.

8. TONE DEFEAT (FALLO DE TONO)

El interruptor TONE DEFEAT desvía la sección de control de tono del AV 711. Si no se usan normalmente los Controles de Tono y se dejan en la posición de las 12 horas, es aconsejable desconectar la sección de Control de Tono en su totalidad usando este interruptor. En la posición 'out' (desactivado), los circuitos de Control de Tono están activados, empujando el interruptor TONE DEFEAT adentro se desvía la sección de Control de Tono. El Panel Visualizador indica cuando está activado el Tone Defeat.

SELECTORES DE ENTRADA Y MONITOR

8. VIDEO 1, VIDEO 2, TAPE 1, TAPE 2, MONITOR, FM, AM, PHONO, CD

Estos pulsadores seleccionan la entrada activa al AV 711 y la señal que se transmite a los altavoces y las salidas de Tape, Vídeo 2 y Monitor de TV.

El nombre de la entrada y el Modo de Entorno se muestran en el Panel Visualizador.

VIDEO 1

Selecciona la señal procedente del receptor estéreo de TV/Satélite/Cable o Disco de Láser conectada a VIDEO 1 como entrada activa.

VIDEO 2

Selecciona el equipo VCR conectado a VIDEO 2 como entrada activa. Se muestra en el Panel Visualizador Vídeo 1 o 2 cuando se seleccionan éstos.

TAPE 1

Selecciona Tape 1 como entrada activa.

TAPE 2 MONITOR

Selecciona la señal procedente de la salida de la máquina de cinta Tape 2. TAPE 2 MONITOR alimenta la señal directamente a los amplificadores principales de AV 711 y no anula la selección de entrada actual. Si la entrada activa es CD cuando se selecciona TAPE MONITOR, la señal CD continuará transmitiendo las salidas de grabación de TAPE 1,

TAPE 2 y VIDEO 2 mientras que la señal Tape 2 se escuchará en los altavoces y auriculares. En el Panel Visualizador se muestra T-2 Monitor cuando se ha seleccionado TAPE 2 MONITOR.

FM

Selecciona radio FM. Se selecciona esto automáticamente cuando se selecciona un Preajuste de FM.

AM

Selecciona radio AM. Se selecciona esto automáticamente cuando se selecciona un Preajuste de AM.

AUX (AUXILIAR)

Selecciona el componente de audio auxiliar como entrada activa.

CD

Selecciona el CD como entrada activa.

FUNCIONES DE ENTORNO Y CDR

10. SURROUND (ENTORNO)

El pulsador SURROUND selecciona el modo de entorno del AV 711. Pulsando el pulsador SURROUND se repasan los tres modos: DOLBY PRO LOGIC, DOLBY 3 STEREO, HALL y BY-PASS (desvío) (estéreo normal). DOLBY PRO -LOGIC descodifica las señales de sonido de entorno codificadas en las pistas de sonido de los filmes cinematográficos a partir del vídeo o la TV. Para descodificar correctamente, la señal de vídeo o TV debe ser de una pista de sonido Dolby Surround o Dolby Stereo y ha de proceder de un equipo estéreo de VCR, TV o de receptor de satélite/cable. El modo HALL produce un efecto de sonido de entorno a partir de una fuente normal estéreo como un CD o radio FM.

BY-PASS cambia a funcionamiento normal Estéreo.

El modo seleccionado se visualiza en el área principal del Panel Visualizador durante 3 segundos y se muestra continuamente en el área de Modo de Surround del Panel Visualizador.

Como dispositivo adicional cómodo, su AV 711 memoriza cuál es el modo de entorno que ha usado usted con la selección de entrada dada. Cuando usted vuelve luego a seleccionar tal entrada, su AV 711 elige automáticamente el mismo modo Surround otra vez. Si usted normalmente usa modo Dolby Pro Logic con las entradas Vídeo 1 y Vídeo 2, Modo Hall en FM, y By-Pass (Estéreo) en los otros, al pulsar el Selector de Entrada se elige por falta automáticamente el Modo de Entorno correcto sin tener que pulsar separadamente el pulsador Surround Mode.

11. CENTER (CENTRO)

Selecciona el tipo de altavoz central que se usa en el sistema principal de altavoz. Pulsando el pulsador CENTER se repasan las tres opciones: NORMAL, PHANTOM (fantasma) y WIDEBAND (banda ancha). Para Dolby Pro Logic use NORMAL, WIDEBAND (banda ancha), PHANTOM (fantasma) y para Dolby 3 Estéreo use NORMAL, WIDEBAND.

El modo NORMAL se usa cuando el altavoz central es más pequeño que los altavoces delanteros izquierdo y derecho. Este modo produce una imagen

central verdadera con las frecuencias muy bajas (por debajo de 70 Hz) eliminadas por filtro.

El modo WIDEBAND se usa cuando el altavoz central es del mismo tipo que los altavoces delanteros izquierdo y derecho. Este modo produce una imagen central verdadera con una gama de frecuencia plena y sin filtraje de frecuencia baja.

El modo PHANTOM se usa cuando no hay altavoz central. El AV 711 coloca la información central igualmente en los altavoces delanteros izquierdo y derecho produciendo así una imagen de sonido central 'Fantasma'.

El Modo Central seleccionado se visualiza durante 3 segundos en el área principal del Panel Visualizador. Se memoriza en la memoria del AV 711 y vuelve a activarse automáticamente cada vez que el equipo se conecta. Esta función puede alterarse solamente cuando el AV 711 está en Modo DOLBY PRO-LOGIC o DOLBY 3 STEREO.

12. DELAY (RETARDO)

Selecciona la cantidad de retardo que se aplica a los altavoces de entorno cuando el AV 711 se usa en los modos DOLBY PRO-LOGIC o HALL.

Si se pulsa el pulsador DELAY se aumentan los tiempos de retardo Delay en etapas de 5 milésimas de segundo desde 5 milésimas de segundos hasta 30 milésimas de segundo para modo Hall y de 15 milésimas a 30 milésimas de segundo para modo Dolby Pro Logic. Los tiempos separados de retardo se pueden memorizar para los modos DOLBY PRO-LOGIC y HALL y se retienen en la memoria del AV 711. Vuelven a activarse automáticamente cada vez que se selecciona modo DOLBY PRO-LOGIC o HALL. Esta función puede alterarse solamente cuando el AV 711 está en modo DOLBY PRO-LOGIC o HALL. (vea: AJUSTE DEL SISTEMA DE ENTORNO).

SINTONIZADOR

9. ENTRADA AM Y FM

Pulse el pulsador AM o FM para poner el AV 711 en el funcionamiento de sintonizador requerido. El Panel Visualizador muestra la frecuencia de la estación sintonizada y el Preajuste y Bancada de Preajustes (si las hay) que se han seleccionado.

13. TUNE (SINTONIZACION) ▲ ▼

Para sintonizar con la estación requerida y seleccionar estaciones de Preajuste hay dos modos de sintonización: Manual y Búsqueda. Pulsado repetidas veces el pulsador se aumenta o disminuye la frecuencia de sintonización en etapas de 50 kHz en FM y etapas de 10 kHz (o 9 kHz para Europa) en AM.

Búsqueda. Manteniendo apretado el pulsador más de 1/2 segundos la sección de sintonizador se pone en modo de Búsqueda. Busca a través de las frecuencias de sintonización y se para cuando encuentra una estación de retransmisión. Cuando se capta una estación, el indicador TUNED (sintonizado) se muestra en el Panel Visualizador. Búsqueda sólo funciona para FM.

14. PRESET (PREAJUSTE)

Pulse PRESET para volver a activar o programar una estación de radio de Preajuste. Los 30 Preajustes pueden ser estaciones de AM o FM y se memorizan en tres Bancadas de Preajustes, que pueden contener hasta 10 estaciones de Preajuste. El número de Preajuste se muestra en el Panel Visualizador.

15. BANK (BANCADA)

Pulse BANK para cambiar entre las tres bancadas (A, B o C) de preajustes del sintonizador. Para comodidad puede usar dos Bancadas para las estaciones FM y una Bancada para AM, aunque se puede memorizar una mezcla de estaciones de FM y AM en una sola Bancada de preajustes. La Bancada seleccionada se muestra en el Panel Visualizador.

16. MEMORY (MEMORIA)

Se usa para memorizar las estaciones de Preajuste.

17. FM MUTE/MODE (SILENCIAMIENTO/MODO DE FM)

Cambia la sección de sintonizador de FM entre funcionamiento de Mute On/Stereo (silenciamiento conectado/estéreo) y Mute Off/Mono (silenciamiento desconectado/mono). En funcionamiento normal (FM MUTE ON), durante el proceso de sintonización el sintonizador se silencia cuando hay una señal presente pequeña o no hay ninguna, dando silencio hasta que se encuentra una estación con señal razonablemente fuerte. Pulsando FM MUTE/MODE se desconecta la función de silenciamiento de modo que pueden localizarse estaciones muy débiles. Además FM MUTE OFF desconecta la función de FM STEREO.

Cuando se recibe una señal FM estéreo, su AV 711 cambia automáticamente a funcionamiento Estéreo FM, lo que se muestra con el indicador STEREO en el Panel Visualizador. Las señales estéreo débiles pueden tener un alto nivel de ruido sibilante de fondo. Conmutando el AV 711 a FM MUTE OFF el sintonizador se pone en mono y se cancela el ruido de fondo.

El estado de la función FM MUTE se muestra en el Panel Visualizador.

PARA ENCONTRAR Y MEMORIZAR ESTACIONES AM Y FM

Puede usted usar sintonización Manual para seleccionar una frecuencia de estación conocida o el modo Search (búsqueda) para buscar automáticamente estaciones que estén transmitiendo en su área, y luego usar el pulsador MEMORY para memorizarlas en la memoria del AV 711.

Seleccione primero la banda AM o FM usando los pulsadores de entrada de AM o FM. Pulse los pulsadores TUNE ▲ o ▼ durante 1/2 segundos para iniciar la búsqueda del sintonizador a través de la banda de frecuencia. Cuando el sintonizador encuentra una señal de retransmisión de fuerza adecuada, la búsqueda automática se para en tal estación. Para



memorizar la estación como un Preajuste, pulse el pulsador MEMORY. El indicador MEMORY y PRESET y las luces del número del preajuste centellean durante 8 segundos o mientras está usted dando entrada a la información del Preajuste.

Pulse el pulsador BANK para seleccionar qué Bancada de Preajustes desea para memorizar la estación. Pulse los pulsadores TUNE ▲ o ▼ para seleccionar qué número de Preajuste desea asignar a la estación. El número del Preajuste actual se muestra en el panel visualizador.

Pulse el pulsador MEMORY otra vez para memorizar la frecuencia de la estación como Preajuste elegido. El AV 711 vuelve luego a funcionamiento normal. La información de Preajustes se mantiene en la memoria del AV 711 hasta que usted borre activamente el Preajuste.

PARA VOLVER ACTIVAR LAS ESTACIONES DE PREAJUSTE

Para volver activar cualquiera de las estaciones de Preajuste pulse el pulsador PRESET. Se ilumina el indicador Preset y se reactiva el Preajuste de sintonizador que se ha usado últimamente. Para seleccionar otra estación de Preajuste, seleccione primero la Bancada en que está memorizada la estación pulsando el pulsador BANK. Luego pulse el pulsador PRESET. Pulse TUNE ▲ o ▼ para repasar los ajustes disponibles hasta que se muestre el número de Preajuste requerido en el Panel Visualizador. El AV 711 sólo repasa los Preajustes que están sintonizados con estaciones y salta los Preajustes vacíos.

Usando el control remoto, pulse el pulsador BANK (bancada) y elija el grupo de bancada, y pulse RESET (reajuste) (pulsador de + o -)

PARA BORRAR LOS PREAJUSTES

Seleccione primeramente la estación de Preajuste. Mantenga apretado el pulsador MEMORY y pulse el pulsador FM MUTE/MODE. Entonces desaparece el número del Preajuste del Panel Visualizador y el Preajuste queda vacío.

FUNCIONES DE SLEEP Y MUTE (SUEÑO Y SILENCIAMIENTO)

Los pulsadores para las funciones SLEEP y MUTE sólo aparecen en el control Remoto.

SLEEP

Pulse SLEEP para que el AV 711 se desconecte automáticamente después de un número preajustado de minutos. Pulsando el pulsador SLEEP una vez se ajusta el tiempo de 'sueño' a 90 minutos, después de

los cuales el AV 711 se desconecta automáticamente y pasa a modo Standby. El modo Sleep y el retardo de Sleep se muestra en el Panel Visualizador. Para ajustar el Sleep Delay (retardo de sueño), mantenga apretado el pulsador SLEEP. Esto reduce el tiempo de 'sueño' en incrementos de 10 minutos, según se muestra en el Panel Visualizador. Para cancelar el modo Sleep, continúe apretando el pulsador SLEEP hasta que aparezca en el Panel Visualizador el nombre de la fuente. Apertando el pulsador POWER también se cancela el modo Sleep.

MUTE

Pulse el pulsador MUTE para desconectar temporalmente el sonido de los altavoces y auriculares. En el Panel Visualizador se muestra Audio Mute (silenciamiento de audio), cuando el equipo está en modo Mute. Pulse otra vez MUTE para restablecer el sonido.

AJUSTE DEL SISTEMA DE ENTORNO

Para que funcione con máximo rendimiento, los niveles de salida de las facilidades de entorno del AV 711 se han de ajustar de manera que haya un equilibrio uniforme de sonido desde todos los altavoces del sistema. El tiempo de retardo Delay para los altavoces de entorno Surround también se necesita ajustar correctamente para su posición normal de escucha. El ajuste de los niveles de altavoz se hace usando las funciones de ajuste de Test y Speaker Level (prueba y nivel de altavoz) del Control Remoto.

Es importante poner primero correctamente en fase todos los altavoces del sistema. Compruebe que los terminales positivos (+) de las salidas de altavoz del amplificador están conectados al conector positivo (+) de cada uno de los altavoces.

Antes de comenzar el procedimiento de ajuste, asegure que se haya colocado correctamente el Modo CENTER para su configuración de altavoces. TONE DEFEAT debe estar en ON (conectado) y el control BALANCE ha de estar puesto en la posición que se usa normalmente para las fuentes estéreo (usualmente posición de las 12 horas).

USO DE TEST PARA AJUSTAR LOS NIVELES DEL SISTEMA DE ENTORNO

Con los altavoces conectados y VOLUME puesto a cero, seleccione MODO DOLBY PRO LOGIC, o DOLBY 3 STEREO y pulse TEST en el Control Remoto. Esto genera una señal de prueba que se alimenta a cada uno de los canales de altavoz por turno (izquierdo, central, derecho y DOLBY 3 STEREO) de modo que cada uno puede ajustarse para una altura igual de sonido en su posición de escucha. El Panel Visualizador muestra qué altavoz está siendo alimentado con la señal de prueba.

Date:	SURROUND	CENTER	DELAY (ms)
DOLBY PRO LOGIC			
DOLBY 3 STEREO	_____		_____
HALL		_____	

Gire VOLUME levantando la señal hasta que sea moderadamente fuerte en los altavoces izquierdo y derecho. Cuando la señal de Test llega al altavoz Central, pulse los pulsadores CENTER VOLUME ▲ o ▼ en el Control Remoto para ajustar la fuerza del sonido del altavoz Central de modo que coincida con los niveles que se producen por los altavoces izquierdo y derecho. El nivel relativo del canal Central se muestra en el Panel Visualizador y puede cambiarse por etapas de dB. Por debajo de -20 dB los incrementos se hacen progresivamente menos exactos.

Cuando ha terminado de ajustar el nivel del canal Central, la señal Test continúa automáticamente cambiando entre los altavoces. Si usted no está satisfecho con su ajuste inicial, repita el procedimiento hasta que coincidan los niveles.

Repita la operación para ajustar el nivel de altavoces de entorno usando los pulsadores REAR VOLUME (volumen trasero) ▲ o ▼ en el Control Remoto. Cuando se seleccionan modos Dolby Pro Logic, el ajuste afecta al nivel de ambos altavoces de entorno simultáneamente.

Se puede hacer un ajuste más exacto usando un medidor de nivel de sonido, si está disponible. Ponga el medidor para los modos 'Slow' (lento) y 'C-weighted' (con compensación C) y vuelva a comprobar los ajustes con el medidor colocado en varias posiciones diferentes dentro del área general de escucha.

Si se usa un Subaltavoz de Bajos en el sistema, ajuste el control de nivel del Subaltavoz de Bajos de modo que pueda escucharse pero no domine el sonido. Los niveles de Subaltavoz de Bajos se pueden luego afinar usando material de programa.

AJUSTE DEL RETARDO DE ENTORNO

Debido a que los altavoces de Entorno usualmente están más cerca del que escucha que los altavoces Delanteros, existe una tendencia a que el oído localice los sonidos hacia atrás, porque el oído nota más los sonidos que le llegan primero a la cabeza. Para resolver este problema, el circuito Dolby Pro Logic incluye un retardo de Entorno. Este asegura que el sonido procedente de los altavoces de entorno llegue siempre a los oídos del que escucha después del sonido procedente de los altavoces delanteros.

La cantidad exacta del retardo requerido depende de las distancias relativas entre los altavoces delanteros y de entorno y la posición del que escucha en la habitación.

Primero tome nota de la distancia que hay entre los altavoces de entorno y la posición de escucha. Ahora toma nota de la distancia que hay entre los altavoces delanteros y el área de escucha. Use el gráfico siguiente y observe dónde se interceptan las dos distancias. Esto le indica el ajuste de Retardo recomendado.

Para ajustar el ajuste de Retardo, ponga el AV 711 en modo Dolby Pro Logic y pulse DELAY (retardo) en el panel delantero o el Control Remoto. Continúe pulsando DELAY hasta que se muestre en el Panel Visualizador el valor correcto.

Los ajustes de Nivel y Retardo se memorizan en la

memoria del AV 711, se reactivan automáticamente cuando se conecta el equipo.

Para su referencia, use los cajetines siguiente para tomar nota de sus ajustes. Si se alteran accidentalmente, puede volver a hacerlos sin tener que utilizar el procedimiento Test.

CONTROL REMOTO

El Control Remoto RC711 realiza las funciones de tecla del AV 711 y tiene controles adicionales para hacer funcionar a distancia máquinas de Cassette y CD NAD. Funciona a una distancia de hasta 5 m.

El modo subsidiario y las funciones de ajuste tienen pulsadores negros. Power y Record (Grabación) (para una plataforma de cassette NAD asociada) están en rojo.

Vea las secciones anteriores del manual para las descripciones de las funciones individuales.

POWER	Conmuta el AV 711 entre On y Standby.
SURROUND MODE	Selecciona los modos Dolby Pro Logic, Hall o By Pass.
SLEEP	Ajusta el AV 711 a modo SLEEP.
TAPE 1	Selecciona Tape 1 como entrada activa.
TAPE 2	Selecciona monitor Tape 2.
TUNER	Selecciona Tuner como entrada activa.
AUX	Selecciona como entrada activa
CD	Selecciona CD como entrada activa.
VIDEO2	Selecciona VIDEO2 como entrada activa.
TUNER BANK (Grupo Sintonizador)	Selecciona una Bancada de Preajustes de Sintonizador
PRESET ▲ ▼	Selecciona un Preajuste de Sintonizador

CASSETTE DECK CONTROL (Control de plataforma de cassette) (para uso con Plataforma de Cassette NAD)

DECK A, DECK B (Plataforma A, Plataforma B)	Cuando sólo se conecta una plataforma de cinta, use los controles de Deck B)
◀	Reverse Play (Escucha de atrás)
▶	Forward Play (Escucha de delante)
●/	Record & Pause (Grabación y Pausa)
■	Stop (Parada)
◀◀	Rewind (Rebobinado)
▶▶	Fast Forward (Adelante Rápido)

CD PLAYER CONTROL (Control de Tocabiscos de CD) (para uso con Tocabiscos CD NAD)

DISC (Disco)	Disco siguiente (para los cambiadores de discos CD NAD)
▶	Play (Escucha)
	Pause (Pausa)

■	Stop (Parada)
I◀◀	Previous Track (Pista Anterior)
▶▶	Next Track (Pista Siguiente)
DELAY (Retardo)	Para ajustar el tiempo de Delay.
TEST (Prueba)	Inicia el procedimiento de Prueba de Ajuste de Entorno.
MUTE (Silenciamiento)	Silencia todo el audio.
CENTER VOLUME ▲ ▼ (Central)	Ajusta el nivel relativo del altavoz del canal Central
REAR VOLUME ▲ ▼ (Entorno)	Ajusta el nivel relativo de los altavoces de Entorno.
VOLUME ▲ ▼ (Volumen)	Aumenta o disminuye el ajuste de Volume, usando el control Volume del panel delantero motorizado.

PILAS

Recomendamos pilas alcalinas para máxima duración de funcionamiento. Las dos pilas AA (R6) están dentro del compartimento de pilas situado en la parte trasera del Control Remoto. Cuando cambie las pilas, compruebe que se coloquen con la dirección correcta, según se muestra en la base del compartimento de pilas.

APENDICE

BREVE GUIA DEL SONIDO DE ENTORNO

Desde la mitad de los años 1970, las compañías cinematográficas han estado realizando filmes en número creciente usando Dolby Stereo, sistema de sonido de entorno de cuatro canales disponible en la mayoría de los cinematógrafos de hoy. Afortunadamente es una operación sencilla la toma de la pista de sonido Dolby Stereo de los filmes y ponerla en una cinta de vídeo VHS estéreo, Disco Lasérico o Vídeo-CD. La pista de sonido requiere alguna conversión para el uso en casa, y la versión doméstica del Dolby Stereo se llama Dolby Surround (entorno Dolby). Hoy, la mayoría de las copias de vídeo de los filmes tienen también esta información de entorno originalmente diseñada para el cinematógrafo. Además de los vídeo, Dolby Surround se usa también en los programas de TV y en los discos compactos CD de música. Y todas estas cosas pueden descodificarse usando su AV 711.

Al contrario que los sistemas cuadrafónicos que trataban de producir sonidos de localización determinada procedentes de todas las direcciones, el Dolby Surround se ha diseñado para darle a usted una imagen delantera clara con los Sonidos de Entorno llenando la habitación con sonido de atmósfera.

Para obtener los mejores resultados, los altavoces de Entorno no deben dirigir el haz de sonido directamente al que escucha. Un modo de conseguir esto es usar altavoces de Entorno 'dipolo' que orientan el sonido hacia la pared en lugar de directamente a la habitación. Una alternativa es usar altavoces

pequeños normales para los sonidos de Entorno, pero no orientarlos directamente hacia la posición del que escucha. Siempre vale la pena experimentar con diversas posiciones de los altavoces de Entorno para ver qué es lo que mejor funciona en su habitación.

COLOCACION DE LOS ALTAVOCES

La colocación de los altavoces en un sistema de Entorno Pro Logic juega un importante papel en el rendimiento del sistema.

ALTAVOCES DELANTEROS

Los altavoces delanteros deben colocarse con los altavoces izquierdo y derecho uniformemente espaciados a cada lado de la pantalla de TV. El altavoz central debe colocarse debajo o encima del monitor de TV para que el diálogo se localice cerca de la imagen de TV.

ALTAVOCES DE ENTORNO

Los altavoces de entorno se usan para crear atmósferas difusas que llenan la habitación más que efectos de sonido relativos a un punto concreto. Los altavoces de entorno se deben montar en pared o estantería bastante altos sea en las paredes laterales, pared trasera o en las esquinas traseras. Pueden montarse los altavoces de cara a los lados o hacia arriba para aumentar el efecto difusor haciendo rebotar el sonido en las paredes y el techo antes de que llega al que escucha.

SUBALTAVOCES DE BAJOS

Los sonidos de frecuencia muy baja producidos por el subaltavoz de bajos son difíciles de localizar y por lo tanto el Subaltavoz de Bajos puede colocarse virtualmente en cualquier sitio dentro de la habitación. Si se coloca el Subaltavoz de Bajos contra las paredes o en las esquinas se aumentan los bajos producidos en la habitación

¿POR QUE TENER UN ALTAVOZ CENTRAL?

El descodificador Dolby Pro Logic produce tres salidas separadas para las señales Delanteras - Izquierda, Central y Derecha. En la mayoría de las pistas de sonido, los efectos de sonido y la música están separados a través de todos los tres canales Delanteros pero el diálogo se alimenta principalmente al canal Central sólo.

Usando un altavoz de canal Central separado se permite que el diálogo vaya a través de los efectos de sonido y la música más grandes. Al tener el sonido disperso a través de los tres altavoces Delanteros se estabiliza la imagen estéreo, haciendo mucho más grande el área de escucha.

Si usted usa el AV 711 con sólo dos altavoces delanteros, el ajuste del interruptor del panel trasero en PHANTOM hace que la información central se coloque en los dos altavoces Izquierdo y Derecho. Esto crea la impresión de una fuente de sonido de canal central.

Para obtener los mejores resultados, usted debe considerar usar un altavoz Central. Idealmente debe ser del mismo tipo que los altavoces Izquierdo y Derecho, aunque hay ahora muchos altavoces

nuevos como el NAD 808CC, que se han diseñado específicamente como adiciones de canal Central para sistemas estéreo existentes.

PRECAUCION: Asegure que cualquier altavoz que se vaya a usar cerca de un monitor de TV sea del tipo protegido magnéticamente (vea manual de instrucciones de altavoces). Normalmente no es posible modificar un altavoz no protegido para funcionar muy cerca de un receptor de TV o monitor.

¿POR QUE TENER UN SUBALTAVOZ DE BAJOS?

Muchas pistas de sonido de filmes se basan mucho en efectos de sonido de frecuencia muy baja que son difíciles para la reproducción en altavoces normales de alta fidelidad. Para reproducir fielmente estas frecuencias bajas puede usted usar un altavoz de frecuencia baja especialmente diseñado con su propio amplificador incorporado. Debido a que es difícil escuchar de qué dirección proceden las frecuencias muy bajas, normalmente usted sólo necesita un subaltavoz de bajos y éste se puede colocar virtualmente en cualquier sitio dentro de la habitación. La salida SUBWOOFER del AV 711 se ha diseñado específicamente para excitar un sistema de subaltavoz de bajos.

ALTAVOCES EN FASE

En un sistema de teatro doméstico es importante que los tres altavoces delanteros estén todos en fase si se comparan entre sí. La fase incorrecta producirá una imagen estéreo defectuosa y una falta aparente de bajos. Si usa altavoces que son todos de un solo fabricante y amplificadores de potencia que son todos de un solo fabricante, para asegurar que el sistema está en fase correcta, basta con que asegure que todos los conectores rojos + de las salidas de altavoz del amplificador de potencia estén conectados con el conector rojo + del altavoz.

Si usa una mezcla de amplificadores o altavoces de diversos fabricantes, o usa amplificadores en modo de 'puente', es posible que la fase se pueda invertir internamente en algunos de los amplificadores o altavoces, por lo tanto debe comprobar la fase correcta escuchando.

Para comprobar la fase escuchando ponga el AV 711 en DOLBY PRO LOGIC y MUTE OFF y seleccione una estación de radio FM. Esto le proporcionará el mismo sonido en los tres altavoces delanteros. Desconecte los altavoces de Entorno y el altavoz Derecho Delantero. Deberá escucharse una imagen de sonido estable como si procediera de un solo punto entre los altavoces Central e Izquierdo Delantero. Si la señal suena difusa y como si no procediera de un solo punto del espacio, invierta los conectores del altavoz Central. La señal ahora debe parecer proceder de un solo punto situado entre los altavoces Izquierdo y Central.

Vuelva a conectar el altavoz Derecho Delantero y desconecte el altavoz Izquierdo Delantero y repita el procedimiento para los altavoces Derecho y Central Delanteros, cambiando la conexión sólo en el altavoz Derecho Delantero si la fase necesita corrección.

Los Entornos estarán normalmente en fase entre sí si se han conectado correctamente.

No existe una regla absoluta respecto a la fase relativa entre altavoces Delanteros y el par de altavoces de Entorno o el Subaltavoz de bajos (si se usa). Conectando éstos utilizando el conector rojo + del amplificador con el conector rojo + de los altavoces se consiguen resultados correctos. Pero en algunas habitaciones la inversión de las conexiones puede producir un aumento notable de respuesta de bajos o una mejora de imagen estéreo general, por lo tanto puede que usted desee experimentar invirtiendo las conexiones en los dos entornos o invirtiendo las conexiones del subaltavoz de bajos.

EJEMPLOS DE SISTEMA

El AV 711 se puede usar en el corazón de una amplia gama de sistemas de sonido de entorno. He aquí dos posibles configuraciones de sistema: una básica y la otra avanzada.

DISPOSICION SIMPLE USANDO EL AV 711

Este sistema usa el AV 711 con un vídeo, tocadiscos, CD, plataforma de cassette y altavoces delanteros estéreo de TV y entornos tales como el NA 805RC.

El tocadiscos, CD y plataforma de Cassette se conectan a CD y TAPE1 (IN & OUT) respectivamente.

La máquina VCR está conectada al VIDEO 1 porque se usará solamente para reproducción a través del sistema, con la grabación de vídeo a partir del sintonizador interno de VCR.

La Entrada de Línea de Vídeo de TV se conecta a MONITOR.

Puesto que hay altavoces Entornos pero no altavoz de canal central, el modo CENTER está ajustado a PHANTOM.

UNA DISPOSICION MAS COMPLEJA USANDO EL AV 711

Esta disposición usa el AV 711 como pieza central de un sofisticado sistema de Teatro Doméstico. Además de las fuentes normales de audio, este sistema tiene también una VCR, un tocadiscos de Disco Láserico y una consola de juegos conectada como fuentes A/V. La salida MONO está conectada a un subaltavoz de bajos autoactivado. El AV 711 está también conectado a un segundo sistema de audio situado en otra habitación.

El tocadiscos, CD y plataforma de Cassette están conectados a CD y TAPE 1 (IN & OUT) respectivamente.

La consola de Disco Láserico/Juegos de sólo escucha está conectada a las entradas de audio y vídeo VIDEO 1. La máquina VCR está conectada a VIDEO 2 que tiene ENTRADAS y SALIDAS de audio/vídeo para permitir la grabación de otras fuentes de vídeo.

La salida TAPE 2 está conectada a través de fonconductores de alta calidad a la entrada auxiliar Aux Input del sistema de alta fidelidad en la segunda habitación, alimentando a un sistema de alta fidelidad en la segunda habitación, que usa la conexión NAD-



Link del amplificador para transmitir información de control al AV 711. El conector NAD-Link OUT del segundo amplificador de alta fidelidad está conectado a NAD-Link IN del AV 711 de modo que se pueda

controlar a distancia desde la segunda habitación.

La Entrada de Línea de Vídeo de TV está conectada a MONITOR.

INVESTIGACION DE AVERIAS

PROBLEMA	CAUSA POSIBLE
Sin sonido	Conductor de CA no enchufado o alimentación eléctrica no conectada. <i>Compruebe el conductor de CA.</i> Monitor de cinta conectado. <i>Modo de Monitor de Cinta deseleccionado.</i> Altavoces no seleccionados. <i>Altavoces A o B seleccionados</i> Silenciamiento activado. <i>Desconecte Silenciamiento.</i> Fusible interno fundido. <i>Consulte al concesionario.</i>
Sin sonido en un canal	Control de equilibrio no centrado. <i>Centre el control de Equilibrio.</i> Altavoz no conectado bien o dañado. <i>Compruebe las conexiones y los altavoces.</i> Conductores de entrada o altavoces desconectados o dañados. <i>Compruebe los conductores y las conexiones.</i>
No funcionan los modos DOLBY PRO LOGIC y HALL	Altavoz B seleccionado. <i>Seleccione Altavoz de Ajuste A.</i>
Sin sonido en los canales de entorno	No se ha seleccionado modo de entorno. <i>Seleccione los modos Dolby Pro Logic o Hall.</i> Fuente de sonido que está en Mono. <i>Compruebe el sistema con material estéreo o de Dolby Surround conocido.</i> Los altavoces no están bien conectados o están dañados. <i>Compruebe los altavoces y las conexiones</i> Nivel de entorno ajustado demasiado bajo. <i>Aumente nivel de entorno.</i>
Sin sonido en los canales centrales	Se ha seleccionado modo Central Phantom. <i>Seleccione modos Normal o Amplio.</i> Se ha seleccionado modo By-Pass. <i>Seleccione modos Dolby Pro Logic o Hall.</i> Nivel central ajustado demasiado bajo. <i>Aumente el nivel central</i>
Bajos debiles/imagen estereo difusa	Altavoces cableados fuera de fase. <i>Compruebe las conexiones de todos los altavoces del sistema.</i>
La posicion de señal de prueba no coincide se enciende el indicador de señal de prueba	Altavoces conectados a las salidas incorrectas. <i>Compruebe las conexiones de todos los canales de amplificador y altavoz.</i>
No funciona el control remoto	Pilas descargadas o incorrectamente insertadas. <i>Compruebe o cambie las pilas.</i> Ventanillas de transmisor de IR (rayos infrarrojos) o receptor obstruidas. <i>Quite la obstrucción.</i>
Ruido de sintonizador	Ruido sibilante - señal débil. <i>Compruebe las sintonización de la estación. Ajuste o cambie la antena.</i> Distorsión - señales de paso múltiple. <i>Compruebe la sintonización de la estación. Ajuste o cambie la antena.</i> Silbidos o zumbidos en FM & AM: interferencia desde otras fuentes eléctricas - computadoras, consolas de juegos. <i>Compruebe la sintonización de la estación. Desconecte o traslade la fuente del ruido eléctrico.</i> Silbidos o zumbidos en AM: interferencia desde alumbrado fluorescente o motores eléctricos. <i>Compruebe la sintonización de la estación. Ajuste o cambie la antena de AM.</i>

NOTE RELATIVE ALL'INSTALLAZIONE

L'AV-711 va sempre collocato su una superficie piana e non cedevole. Evitare di collocare l'unità in posizioni assolate oppure vicino a fonti di calore o umidità; assicurarsi inoltre che l'apparecchiatura sia ben ventilata.

Prima di perfezionare qualsiasi collegamento portare l'unità di condizione di "standby" (attesa). I connettori per il pick-up sull'AV-711 sono contraddistinti da codice colori per maggior convenienza. Rosso e bianco indicano l'audio lati Destro e Sinistro; giallo è il collegamento composto video (linea) ed è per il collegamento NAD-Link.

Per garantire prestazioni ottimali e la massima affidabilità delle connessioni, impiegare sempre ed esclusivamente cavi e connettori di marca. I cavi per pick-up audio funzionano perfettamente per i segnali video, peraltro si raccomanda di impiegare i cavi speciali per video, se possibile. Assicurarsi che i cavi e i connettori non siano danneggiati ed accertarsi che tutti i connettori siano ben calzati.

Per assicurare prestazioni perfette, impiegare sempre cavi di marca per gli altoparlanti, calibratura minima 16 o spessore maggiore.

Se non si intende impiegare l'unità per un certo periodo di tempo, scollegare la spina dalla presa della C.A.

Se l'AV-711 venisse contaminato da acqua, spegnere l'alimentazione elettrica e scollegare la spina dalla presa della C.A. Fare controllare l'unità da un tecnico specializzato prima di cercare di accenderla.

Non staccare il coperchio: si fa notare che al suo interno non vi sono componenti riparabili dall'Utente.

Pulire l'unità impiegando un panno soffice ed asciutto. Se necessario, inumidire leggermente il panno con un po' di acqua e sapone. Non impiegare soluzioni a base di benzolo o altri prodotti volatili.

CONNESSIONI AL PANNELLO POSTERIORE

1.. CD INPUT (INPUT CD)

Input per il riproduttore per CD (segnale audio analogico) o altra fonte di segnale di livello. Impiegare un doppio cavo fonofono per collegare gli "Audio Outputs" sinistro e destro del riproduttore per CD a questo input.

2. AUX INPUT (INPUT AUSILIARIO)

Selezionare il componente audio ausiliario quale input attivo.

3. TAPE 1 (NASTRO 1)

Connessioni per registrazione ed ascolto analogici ad un registratore a nastro di qualsiasi tipo, quale ad esempio a cassette, a bobina, DAT, MD oppure DCC. Impiegando doppi cavi fonofono, collegare "Audio Output" sinistro e destro del registratore ai connettori "TAPE 1 IN" per l'ascolto. Collegare "Audio Input" sinistro e destro del registratore ai connettori "TAPE 1 OUT" per la registrazione.

4. TAPE 2 (NASTRO 2)

Connessioni per registrazione ed ascolto analogici ad un secondo registratore a nastro di qualsiasi tipo. Impiegando doppi cavi fonofono, collegare "Audio Output" sinistro e destro del registratore ai connettori "TAPE 2 IN" per l'ascolto. Collegare "Audio Input" sinistro e destro del registratore ai connettori "TAPE 2 OUT" per la registrazione.

5. VIDEO 1 (VIDEO)

Gli input per l'ascolto da un VCR o altro apparecchio video, quale ad esempio TV stereo, ricevitore TV via satellite o cavo oppure riproduttore per dischi laser LD. Impiegando doppi cavi fonofono, collegare "Audio Out" sinistro e destro del VCR/TV/LD/ricevitore satellite a questi input. Questi input audio sono impiegati unitamente agli input composti (linea) video contraddistinti dalla dicitura "VIDEO 1". VIDEO 1 viene impiegato solo per l'ascolto; se si desidera collegare un VCR per registrazione ed ascolto tramite l'AV-711, impiegare allora VCR 2.

6. VIDEO 2 (VIDEO)

Connessioni per registrazione ed ascolto ad un VCR o altro videoregistratore. Impiegando doppi cavi fonofono, collegare "Audio Out" sinistro e destro del VCR ai connettori "IN" "VIDEO 2" per l'ascolto. Collegare "Audio Input" sinistro e destro del VCR ai connettori "VIDEO 2 OUT" per la registrazione. Questi input audio vengono impiegati unitamente agli input composti (linea) video contraddistinti dalla dicitura "VIDEO 2 IN" e gli output marcati "VIDEO 2 OUT".

7. SUBWOOFER OUT

Output supplementare di linea per collegamento ad un sistema altoparlanti "sub-bass" con amplificatore proprio.

8.. AM ANTENNA (ANTENNA AM)

L'AV-711 è fornito di un'antenna AM a filo aereo che serve per garantire la ricezione delle stazioni a modulazione d'ampiezza (A.M.). Aprire la levetta del terminale a graffa ed inserire il cavo dall'antenna. Il cavo viene pizzicato saldamente quando la levetta è chiusa (Fig. 2).

Se il Vs. AV 711 è un modello per il mercato dell'America del nord o per il Canada, infilare il cavo tenendo la leva abbassata. Rilasciare la leva per bloccare il cavo.

Sperimentare l'orientamento dell'antenna assicurandosi sempre che il cerchio sia in verticale per garantire una buona ricezione. La ricezione può essere pregiudicata se l'antenna viene collocata accanto a componenti metallici, quali scaffali o termosifoni.

9. FM ANTENNA (ANTENNA FM)

L'unità è dotata anche di un'antenna a piattina per le stazioni a modulazione di frequenza (FM); questa va collegata al connettore FM sul retro dell'unità (Fig. 1). L'antenna a piattina va fissata su una superficie in verticale in modo da formare una "T".



Orientare l'antenna in varie posizioni per individuare quella migliore, ottenendo cioè il massimo segnale possibile con minimo rumore di fondo. Un segnale FM non perfetto dà di solito sibilo molto forte, specie in ascolto stereo, nonché interferenze da fonti elettriche esterne. Se la ricezione FM è molto scadente, è possibile peraltro migliorare le prestazioni del sintonizzatore impiegando un'antenna FM esterna. Interpellare a questo proposito un tecnico specializzato che provvederà ad installare l'antenna nel modo migliore possibile a seconda della zona.

10. "SOFT CLIPPING"

Quando l'amplificatore viene azionato oltre l'output prescritto a volumi molto alti si noterà un suono "sporco" e con forte distorsione. Ciò è dovuto al fatto che l'amplificatore elimina ovvero "mozza" per distorsione i picchi del suono che non è in grado di riprodurre. Lo speciale circuito di distorsione/limitazione NAD "Soft Clipping" delimita l'output del sistema per ridurre al minimo la distorsione udibile quando l'amplificatore è "tirato al massimo".

Se l'ascolto comporta livelli moderati, "Soft Clipping" può essere disabilitato. Se invece si ascolta ad alto volume, oltre le capacità esecutive dell'altoparlante, abilitare "Soft Clipping".

11. VIDEO 1 (VIDEO)

Connessione all'input del segnale video di linea (cavo misto) per VIDEO 1. Impiegando un cavo-fono, collegare "Video Out" del VCR, TV, Disco Laser od unità satellite/cavo. VIDEO 1 può essere impiegato solo per il playback video. Impiegare "VIDEO 2" se si desidera collegare un VCR per registrazione e riproduzione con l'AV-711.

12. VIDEO 2 (VIDEO)

Connessione all'input del segnale video di linea (cavo misto) per VIDEO 2. Impiegando un fonocavo, collegare "Video Out" del VCR al "VIDEO 2 IN" per l'ascolto. Collegare "VIDEO 2 OUT" al "Video In" del VCR per copiare segnali video da "VIDEO 1".

13. "MONITOR VIDEO OUTPUT"

Output video (linea) a cavo misto per collegare un televisore o monitor video e visionare fonti video collegate a "VIDEO 1" oppure "VIDEO 2". Impiegando un fonocavo, collegare "Video Line In" sul televisore o monitor al "MONITOR VIDEO OUTPUT". Questo output può essere impiegato inoltre quale output supplementare per la registrazione, se necessario. La rivelazione video va effettuata tramite l'output del videoregistratore.

14. FRONT SPEAKERS (ALTOPARLANTI ANTERIORI)

Questi output degli altoparlanti vengono accesi e spenti impiegando il pulsante "SPEAKERS" sul pannello anteriore.

Collegare l'altoparlante destro ai terminali marcati "R +" ed "R -", assicurandosi che "R +" sia collegato al terminale "+" sull'altoparlante, con "R -" collegato al terminale "-" dell'altoparlante. Collegare i terminali marcati "L +" ed "L -" in pari modo all'altoparlante sinistro.

Svitare la boccola in plastica dei terminali degli altoparlanti per scoprire il foro nel gambo della vite. Infilare il piedino o il cavo scoperto nel foro e fissare il cavo serrando la boccola del terminale (Fig. 3).

Per evitare il rischio che la parte scoperta in metallo dei cavi dell'altoparlante possa sfregare contro il pannello posteriore o altri connettori, assicurarsi sempre che vi siano solo 1,37 cm di cavo o piedino esposto, controllando che non vi siano trefoli vaganti del cavo dell'altoparlante

ATTENZIONE: Questa unità è stata progettata per garantire la più perfetta qualità sonora quando si collegano altoparlanti di impedenza rientrante nei campi prescritti. Vi preghiamo di controllare le informazioni seguenti e scegliere altoparlanti di impedenza corretta.

ALTOPARLANTI ANTERIORI: Minimo 4 ohm per altoparlante

ALTOPARLANTE CENTRALE: Minimo 8 ohm.

ALTOPARLANTI POSTERIORI: Minimo 4 ohm per altoparlante

15. CENTER SPEAKER (ALTOPARLANTE CENTRALE)

Collega l'altoparlante centrale che si impiega quando l'AV-711 viene fatto funzionare nel modo Dolby* Pro Logic o Dolby 3 Stereo.

Collegare "Centre +" al terminale "+" dell'altoparlante centrale; collegare "Centre -" al terminale "-" dell'altoparlante. Spelare 8 mm di isolante dal capo del cavo dell'altoparlante ed attorcigliare i trefoli in modo che siano tutti ben riuniti. Aprire la levetta del terminale a graffa ed inserire il cavo. Chiudendo la levetta si blocca il cavo. Questo altoparlante funziona unitamente agli altoparlanti anteriori ed è acceso e spento impiegando il pulsante "SPEAKERS" sul pannello anteriore.

16. REAR SPEAKERS (ALTOPARLANTI POSTERIORI)

Collega gli altoparlanti posteriori impiegati quando l'AV-711 viene fatto funzionare nei modi Dolby Pro Logic oppure Hall. Collegare l'altoparlante destro posteriore ai terminali marcati "R +" ed "R -", assicurandosi che "R +" sia collegato al terminale "+" sull'altoparlante, con "R -" collegato al terminale "-" dell'altoparlante. Collegare i terminali marcati "L +" ed "L -" in pari modo all'altoparlante sinistro. Spelare 8 mm di isolante dal capo del cavo dell'altoparlante ed attorcigliare i trefoli in modo che siano tutti ben riuniti. Premere la leva del terminale di connessione ed inserire il cavo. Rilasciare la leva per bloccare il cavo.

Questi altoparlanti funzionano unitamente agli Altoparlanti Anteriori A; vengono accesi e spenti tramite il pulsante "SPEAKERS" sul quadro anteriore.

*Fabbricato sotto licenza della Dolby Laboratories Licensing Corporation. "Dolby" e il simbolo della doppia 'D', unitamente a "Pro Logic", sono marchi depositati della Dolby Laboratories Licensing Corporation.

17. "NAD LINK IN/OUT"

Il connettore NAD-Link viene impiegato per trasmettere comandi dal telecomando alle/dalle altre

unità dotate di connettori NAD-Link. Ciò permette il comando centralizzato di un sistema completo, oppure il comando del sistema da più di un ambiente. Per assicurare un funzionamento perfetto con le altre unità, collegare il “NAD-Link OUT” dell’AV-711 al “NAD-Link IN” sull’altra unità. I connettore “NAD-Link” possono essere concatenati “IN” ad “OUT” pertanto è possibile comandare un intero sistema tramite i telecomandi di un’unità.

Una sola connessione NAD-Link da un sistema hi-fi in un altro ambiente permette il telecomando di sistemi pluriambienti.

18. PRESE C.A (SOLO MODELLI PER CANADA E L’USA)

I cavi della C.A. delle altre unità che fanno parte dell’impianto audio possono essere allacciati direttamente alle prese C.A. accese dell’AV-711.

Se un altro componente stereo è collegato nella presa SPENTA C.A., l’alimentazione è allora presente anche quando il Vs. AV711 è spento. Le prese C.A. non in tensione vanno impiegate con le unità il cui consumo di potenza ATTIVA non supera 120 watt.

19. AC POWER CORD CONNECTOR (CONNETTORE CORDONE C.A.)

Una volta perfezionate tutte le connessioni all’amplificatore, allacciare il cavo di alimentazione C.A. ad una presa a muro in tensione o ad un cordone di prolunga “heavy duty” che può essere collegato ad una presa a muro.

COMANDI DEL QUADRO ANTERIORE.

FUNZIONI ALIMENTAZIONE, ALTOPARLANTI E CUFFIA.

1. “POWER” (ALIMENTAZIONE)

Premere questo pulsante per accendere l’unità. Per spegnere l’unità premere nuovamente questo pulsante

2. ALTOPARLANTI

Il pulsante “SPEAKERS” accende e spegne gli altoparlanti collegati ai terminali Altoparlanti ANTERIORE, CENTRALE e POSTERIORE. Quando gli altoparlanti sono accesi, le spie “SPEAKERS” sono accese.

3. STANDBY

La spia verde “standby” conferma che l’AV-711 riceve corrente, ma che il sistema è spento. Premendo l’interruttore si accende l’unità. Il quadro del display riporterà le impostazioni correnti dell’AV-711.

Premendo nuovamente l’interruttore si riporta l’AV-711 in condizione di attesa “standby”. Nel modo di attesa “Stand-by”, l’AV-711 conserva le impostazioni dell’input della corrente e del modo in una memoria non volatile; riprende queste impostazioni quando viene riacceso. L’AV-711 utilizza inoltre la memoria non volatile per immagazzinare informazioni preimpostate, sia per il sintonizzatore sia per i parametri

Dolby Pro Logic, per evitare appunto che questi dati vadano persi quando l’unità viene portata in condizione di attesa o scollegata dalla rete C.A. (per un massimo di due settimane: trascorso tale periodo, la memoria è cancellata completamente). Durante il funzionamento normale, l’indicatore d’attesa si accende per indicare quando riceve un segnale dal telecomando.

ATTENZIONE: Nel modo di attesa, l’alimentazione è sempre portata all’AV-711. Spegnerlo o scollegare l’AV711 dalla presa C.A. quando non si intende impiegarlo per parecchio tempo.

4. HEADPHONE SOCKET (PRESA PER CUFFIA)

Per l’ascolto tramite cuffia viene fornita una speciale presa stereo a jack da 1/4 di pollice. La presa è dotata di amplificatore che comanda le cuffie di tipo convenzionale, qualunque sia la loro impedenza. Riceve il segnale dai canali anteriori sinistro e destro e funziona su tutti gli input, peraltro qualsiasi modo “surround” verrà riprodotto quale stereo bicanale. I comando volume, tonalità ed equilibrio acustico funzionano per l’ascolto in cuffia. Impiegare un adattatore idoneo per collegare la cuffia con tipi differenti di connettori, ad esempio spine a jack “personal stereo” da 3,5 mm. **AVVISO IMPORTANTE:** L’ascolto ad alto volume può minare l’udito!.

FUNZIONI VOLUME, EQUILIBRIO ACUSTICO E TONALITA’

5 VOLUME

Il comando “VOLUME” regola l’intensità sonora totale dei segnali alimentati agli altoparlanti. Il comando “VOLUME” non ha alcun effetto sulle registrazioni effettuate impiegando gli output di linea Video oppure nastro (Tape).

6. BASS & TREBLE CONTROLS (COMANDO PER REGOLAZIONE ALTI E BASSI)

L’AV-711 è dotato di comando per regolare la tonalità alti e bassi (“BASS” e “TREBLE”) per impostare la tonalità globale del Vs. impianto.

La posizione “ore 12” riflette l’ascolto liscio, ovvero senza accentuazione o taglio; un incavo indica questa posizione.

Girare il comando in senso orario per aumentare l’intensità dei Bassi o degli Alti. Girare il comando in senso orario per diminuire l’intensità dei Bassi o degli Alti. Questi comandi agiscono solo sugli altoparlanti anteriori sinistro e destro. Nei modi “Pro Logic” oppure “Hall” gli altoparlanti Centrale e “Surround” mantengono una risposta “piatta” qualunque siano le impostazioni dei comandi della tonalità. I comandi “Tone” non influenzano le registrazioni effettuate impiegando gli output di linea Video oppure nastro (Tape).

7. BALANCE (EQUILIBRIO)

Il comando di EQUILIBRIO regola i livelli relativi degli altoparlanti anteriori sinistro e destro. La posizione “ore 12” dà un livello pari ai canali sinistro e



destro. Questa posizione è indicata da un incavo.

Ruotando il comando in senso orario si sposta l'equilibrio acustico verso destra. Ruotando il comando in senso antiorario si sposta l'equilibrio acustico verso sinistra. Il comando "BALANCE" non ha alcun effetto sulle registrazioni effettuate impiegando gli output di linea VCR oppure nastro.

8. TONE DEFEAT (ESCLUSIONE TONI)

L'interruttore "TONE DEFEAT" devia la sezione dei comandi della tonalità dell'AV-711. Se i comandi della tonalità non vengono impiegati di solito, e lasciati pertanto nella posizione "ore 12", si suggerisce allora di cancellare completamente la sezione "Tone Control" impiegando questo interruttore. Nella posizione all'esterno, i circuiti "Tone Control" sono eccitati; premendo l'interruttore "TONE DEFEAT" si devia la sezione "Tone Control". Il display conferma quando "Tone Defeat" è inserito.

SELETTORI INPUT E MONITOR

9. "VIDEO 1", "VIDEO 2", "TAPE 1", "MONITOR TAPE 2", FM, AM, "AUX", "CD"

Questi pulsanti selezionano l'input attivo all'AV-711 e il segnale trasmesso agli altoparlanti e agli output Tape, Video 2 e monitor TV.

Il display riporta la sigla dell'input e del modo Surround.

VIDEO 1

Seleziona il segnale dal televisore stereo/satellite/cavo oppure disco a laser collegato a "VIDEO 1" quale input attivo.

VIDEO 2

Seleziona il VCR collegato a "VIDEO 2" quale input attivo. Il display conferma la selezione di Video 1 oppure 2

TAPE 1 (NASTRO 1)

Seleziona Tape 1 quale input attivo.

"MONITOR TAPE 2"

Seleziona il segnale dall'output del registratore Tape 2. "TAPE 2 MONITOR" alimenta il segnale direttamente agli amplificatori principali dell'AV-711 e non esclude la selezione corrente dell'input. Se il CD è l'input attivo quando si è selezionato "TAPE MONITOR", il segnale CD continuerà ad essere trasmesso agli output di registrazione di "TAPE 1", "TAPE 2" e "VIDEO 2", mentre il segnale di Tape 2 è udibile dagli altoparlanti o dalla cuffia. Quando "TAPE 2 MONITOR" è stato selezionato, il display riporta "T-2 Monitor".

FM

Seleziona radio FM. Viene selezionato automaticamente quando si seleziona la Preimpostazione FM.

AM

Seleziona radio AM. Viene selezionato automaticamente quando si seleziona la Preimpostazione AM.

AUX (AUSILIARIO)

Selezionare il componente audio ausiliario quale input attivo.

CD

Seleziona il CD quale input attivo.

FUNZIONI SURROUND

10. SURROUND

Il pulsante "SURROUND" seleziona il modo Surround dell'AV-711. Premendo il pulsante "SURROUND" si invocano i tre modi: DOLBY PRO LOGIC, DOLBY 3 STEREO, HALL e BY-PASS (Stereo normale)

DOLBY PRO LOGIC e DOLBY 3 STEREO decodifica i segnali del suono Surround codificati nelle piste cinematografiche dei programmi video o TV. Per assicurare una decodificazione corretta, il segnale video o TV deve essere su pista di tipo Dolby Surround oppure Dolby Stereo e provenire da un VCR stereo, TV o ricevitore satellite/cavo.

Il modo HALL dà un suono di tipo Surround da una fonte stereo normale, quale CD o radiostazione FM.

Con BY-PASS si passa al funzionamento stereo normale.

Il modo selezionato è visualizzato per tre secondi nell'area principale del display ed è evidenziato continuamente nell'area del Surround Mode del display.

Un'altra caratteristica molto utile dell'AV-711 è la sua capacità di memorizzare quale modo Surround è stato impiegato con la selezione particolare di input. In seguito, selezionando tale input, l'AV-711 sceglierà automaticamente il medesimo modo Surround. Se si impiega di solito il modo Dolby Pro Logic sugli input Video 1 e Video 2, Modo Hall e Dolby 3 Stereo per FM e By-Pass (Stereo) sugli altri, premendo il selettore di input si passa automaticamente al corretto modo Surround, senza dovere premere separatamente il pulsante "Surround Mode".

11. CENTER (CENTRALE)

Seleziona il tipo di altoparlante centrale impiegato dal sistema degli altoparlanti principali (SPEAKERS). Premendo il pulsante "CENTER" si passa ai tre modi differenti: NORMALE, "PHANTOM" (fantasma) e BANDA LARGA. Per il Dolby Logic impiegare NORMAL, WIDEBAND, PHANTOM. Per il Dolby 3 Stereo impiegare NORMAL. BANDA LARGA

Il modo NORMALE viene impiegato quando l'altoparlante centrale è più piccolo degli altoparlanti anteriori, sinistro e destro. Questo modo dà una "immagine centrale" perfetta, con le frequenze bassissime (al di sotto di 70 Hz) debitamente eliminate.

Il modo a banda larga "WIDEBAND" viene impiegato quando l'altoparlante centrale è di tipo eguale agli altoparlanti anteriori, sinistro e destro. Questo modo dà una "immagine centrale" perfetta, ad alta fedeltà e senza filtraggio delle basse frequenze.

Il modo "PHANTOM" (fantasma) viene impiegato quando non si dispone di altoparlante centrale. L'AV-711 suddivide perfettamente le informazioni centrali sugli altoparlanti anteriori, sinistro e destro, creando così una immagine "fantasma" di suono centrale.

Il modo centrale selezionato viene visualizzato per tre secondi nell'area principale del display. Viene conservato nella memoria dell'AV-711 e richiamato

automaticamente ogni volta che l'unità è riaccesa. Questa funzione può essere modificata solo quando l'AV-711 si trova nel modo DOLBY PRO-LOGIC o DOLBY 3 STEREO

12. DELAY (RITARDO)

Seleziona il ritardo imposto sugli altoparlanti Surround quando l'AV-711 viene impiegato nei modi DOLBY PRO-LOGIC oppure HALL.

Premendo il pulsante "DELAY", i ritardi vengono fatti scattare ad intervalli di 5 millisecondi da 5 a 30 ms per il modo Hall e da 15 a 30 ms per il modo Dolby Pro Logic. Si possono memorizzare ritardi separati per i modi DOLBY PRO-LOGIC e HALL che vengono memorizzati dall'AV-711. Questi modi sono richiamati automaticamente ogni volta che si seleziona il modo DOLBY PRO-LOGIC oppure il modo HALL. Questa funzione può essere modificata solo quando l'AV-711 si trova nel modo DOLBY PRO-LOGIC oppure HALL (vedere: IMPOSTAZIONE DEL SISTEMA "SURROUND")

SINTONIZZATORE.

9. INPUT AM ED FM

Premere il pulsante AM oppure FM per impostare l'AV-711 a seconda del funzionamento richiesto del sintonizzatore. Il display evidenzia la frequenza della stazione sintonizzata e quale preselezione e linea di preselezione (se presente) è stata scelta.

13. TUNE ▲ ▼ (SINTONIZZAZIONE ▲ ▼)

Per la sintonizzazione sulla stazione richiesta e per selezionare stazioni preimpostate. Vi sono due modi di sintonizzazione: Manuale e a ricerca. Premendo il pulsante ripetutamente si aumenta o si diminuisce la frequenza di sintonizzazione in scatti di 50 kHz per FM e 10 kHz per AM (oppure 9 kHz in Europa).

Ricerca. Tenendo premuto questo pulsante per più di mezzo secondo, il sintonizzatore passa al modo di Ricerca. Ricercherà quindi le varie frequenze, arrestandosi quando individua una stazione trasmittente. Una volta captata una stazione, l'indicatore "TUNED" (sintonizzato) compare sul display. Funzioni di ricerca per FM soltanto.

14. "PRESET" PRESELEZIONE

Premere "PRESET" per richiamare o programmare una stazione preimpostata. Le trenta preimpostazione possono essere stazioni AM oppure FM: sono memorizzate in tre linee di preimpostazione che possono contenere fino a dieci stazioni. Il display riporta il numero della preimpostazione.

15. BANK (LINEA)

Premere "BANK" per commutare sulle tre linee (A, B oppure) delle preimpostazioni del sintonizzatore. Per maggior convenienza si possono impiegare due linee per le stazioni FM ed una linea per le AM, sebbene sia possibile mischiare stazioni FM ed AM memorizzandole in un'unica linea di preimpostazione. Il display riporta la linea selezionata.

16. MEMORY (MEMORIA)

Serve per memorizzare le nuove stazioni preimpostate.

17. "FM MUTE/MODE" (MODO/SILENZIO FM)

Commuta la sezione sintonizzatore FM tra "Mute On/Stereo" e "Mute Off/Mono". Per il funzionamento normale ("FM MUTE ON"), il sintonizzatore viene tacitato durante la fase di sintonizzazione quando il segnale è limitato oppure assente: si ha così silenzio finché non viene individuata una stazione con un segnale abbastanza forte. Premendo "FM MUTE/MODE" si disabilita la funzione di tacitazione, pertanto è possibile individuare stazioni con segnale debolissimo. "FM MUTE OFF" disabilita inoltre la funzione "FM Stereo".

Quando l'AV-711 riceve un segnale FM, passa automaticamente al funzionamento Stereo FM che viene evidenziato dall'indicatore "STEREO" sul display. Segnali stereo molto deboli possono dare forti livelli di sibilo di fondo. Portando l'AV-711 su "FM MUTE OFF", il sintonizzatore passa in mono e cancella il rumore di fondo.

Il display evidenzia la condizione della funzione "FM MUTE".

RICERCA E MEMORIZZAZIONE DELLE STAZIONI AM & FM

Si può impiegare la sintonizzazione manuale "Manual Tune" per selezionare la frequenza di una stazione nota, oppure il modo di ricerca "Search Mode" per individuare automaticamente quelle stazioni trasmittenti nella propria zona, impiegando poi il pulsante della memoria "MEMORY" per iscrivere le selezioni nella memoria dell'AV-711.

Selezionare per prima cosa la gamma AM oppure FM impiegando i pulsanti di input AM oppure FM. Premere i pulsanti di sintonizzazione ▲ o ▼ "TUNE" per mezzo secondo per iniziare la ricerca sulla gamma di frequenza. Quando il sintonizzatore individua un segnale di intensità idonea, la ricerca automatica cessa su tale stazione. Per memorizzare la stazione quale preimpostazione basta premere il pulsante "MEMORY". Le spie "MEMORY" e "PRESET" e quelle del numero di preimpostazione lampeggiano per otto secondi o mentre si iscrivono le informazioni di preimpostazione.

Premere il pulsante "BANK" per selezionare su quale linea di preimpostazioni si desidera memorizzata una data stazione. Premere i pulsanti ▲ o ▼ "TUNE" per selezionare quale numero di preimpostazione si desidera assegnare ad una stazione. Il display riporta il numero di preimpostazione.

Premere nuovamente il pulsante "MEMORY" per memorizzare la frequenza della stazione quale preimpostazione selezionata. L'AV-711 ritornerà quindi al funzionamento normale. Le informazioni relative alle preimpostazioni sono conservate nella memoria dell'AV-711 finché non vengono cancellate.

COME RICHIAMARE STAZIONI PREIMPOSTATE.

Per richiamare una qualsiasi delle stazioni preimpostate occorre premere il pulsante "PRESET". L'indicatore di preimpostazione si accende: la preimpostazione richiesta per ultima verrà così richiamata.



Per scegliere un'altra stazione preimpostata, selezionare prima di tutto la linea che ha tale stazione premendo il pulsante "BANK". Ciò fatto, premere il pulsante "PRESET". Premere "TUNE" ▲ o ▼ per invocare le impostazioni disponibili finché non si evidenzia il numero di preimpostazione richiesto sul display. L'AV-711 invoca solo le preimpostazioni che sono sintonizzate su stazioni, ignorando pertanto tutte le preimpostazioni vacanti.

COME RICHIAMARE STAZIONI PREIMPOSTATE

Impiegando il telecomando, premere il pulsante "BANK" e scegliere il gruppo della memoria, quindi premere RESET (pulsante + oppure -)

COME ANNULLARE LE PREIMPOSTAZIONI.

Selezionare prima di tutto la stazione preimpostata. Tenere premuto il pulsante "MEMORY" e poi premere il pulsante "FM MUTE/MODE". Il numero di preimpostazione scomparirà quindi dal display: la preimpostazione particolare è così libera.

FUNZIONI "SLEEP" E "MUTE"

I pulsanti per le funzioni "SLEEP" e "MUTE" compaiono solo sul telecomando.

"SLEEP"

Premere "SLEEP" per fare sì che l'AV-711 si spenga automaticamente dopo un numero prestabilito di minuti. Premendo il pulsante "SLEEP" una volta si imposta lo spegnimento a novanta minuti: l'AV-711 si spegnerà automaticamente passando al modo di attesa "Stand-by". Il display riporta il modo e il ritardo per "Sleep". Per regolare il ritardo di "Sleep" basta tenere premuto il pulsante "SLEEP". In questo modo si riduce il tempo in scarti di dieci minuti, come evidenziato sul display. Per cancellare il modo "Sleep", continuare a premere il pulsante "SLEEP" finché il display non riporta il nome della sorgente. Premendo il pulsante "POWER" si annulla il modo "Sleep".

"MUTE"

Premere il pulsante "MUTE" per interrompere provvisoriamente il suono agli altoparlanti e alla cuffia. Il display riporta la dicitura "Audio Mute" quando l'unità si trova nel modo tacitato "Mute". Ripremere "MUTE" per ripristinare il suono

IMPOSTAZIONE DEL SISTEMA "SURROUND".

Per garantire il funzionamento ottimale dell'AV-711 occorre regolare le funzioni "surround" in modo da ottenere un equilibrio corretto del suono proveniente da tutti gli altoparlanti del sistema. Occorre inoltre impostare correttamente il ritardo per gli altoparlanti "surround" rispetto alla posizione d'ascolto prescelta.

La regolazione del livello degli altoparlanti si effettua impiegando le funzioni di controllo e regolazione "Test" e "Speaker Level Adjust" sul telecomando.

La cosa principale che occorre fare è quella di impostare correttamente la fase di tutti gli altoparlanti

del sistema. Controllare che i terminali positivi (+) degli output altoparlanti amplificatori siano collegati al connettore positivo (+) dei singoli altoparlanti.

Prima di iniziare la procedura di impostazione, assicurarsi sempre che il modo "CENTER" sia impostato correttamente a seconda della configurazione degli altoparlanti. "TONE DEFEAT" (esclusione toni) deve essere INSERITO; il comando "BALANCE" va portato alla posizione impiegata normalmente per le sorgenti stereo (di solito è la posizione detta "ore 12").

COME IMPIEGARE "TEST" PER IMPOSTARE I LIVELLI DEL SISTEMA "SURROUND".

Assicurarsi che gli altoparlanti siano collegati e che il "VOLUME" sia a zero, quindi selezionare il modo DOLBY PRO-LOGIC o DOLBY 3 STEREO, e premere "TEST" sul telecomando. In questo modo si ottiene un segnale di controllo che viene alimentato a turno a ciascuno dei canali degli altoparlanti (sinistro, centrale, destro e DOLBY 3 STEREO), in modo che ciascuno di questi possa essere regolato per ottenere intensità eguale dalla posizione prescelta per l'ascolto. Il display indica quale altoparlante riceve il segnale di prova.

Aumentare il "VOLUME" finché il segnale non è abbastanza forte agli altoparlanti sinistro e destro. Quando il segnale di controllo raggiunge l'altoparlante centrale, premere il pulsante "CENTER" ▲ ▼ sul telecomando per pareggiare i livelli ottenuti dagli altoparlanti sinistro e destro. Il livello del canale centrale è indicato sul display e può essere variato in scarti dB. Al di sotto di -20 dB gli aumenti diventano progressivamente più approssimativi.

Una volta regolato il livello del canale centrale, il segnale di controllo continua a commutare automaticamente tra gli altoparlanti. Se l'imposta ottenuta non è proprio quella che desiderate, ripetere allora la procedura finché non si ottiene l'appaiamento dei livelli.

Ripetere l'operazione per impostare il livello degli altoparlanti "surround" impiegando i pulsanti per il volume posteriore "REAR VOLUME" ▲ ▼ sul telecomando. Quando si selezionano i modi Dolby Pro Logic, la regolazione interessa contemporaneamente entrambi gli altoparlanti Surround.

Impiegando un fonometro è possibile ottenere una regolazione più precisa. Impostare lo strumento nei modi "Slow" e "C-weighted", quindi ricontrrollare le impostazioni con lo strumento in varie posizioni nell'area d'ascolto.

Se si impiega un Sub-woofer, regolare il comando di livello del Sub-woofer in modo che sia udibile, senza però che predomini sul suono. I livelli "Sub-Woofer" possono essere perfezionati in un secondo tempo impiegando un programma.

IMPOSTAZIONE DEL RITARDO PER "SURROUND".

Dal momento che gli altoparlanti "surround" sono di solito più vicini all'ascoltatore rispetto agli altoparlanti anteriori, l'orecchio tende a localizzare i suoni a tergo, poiché il nostro udito è influenzato principalmente dai suoni che giungono per primi al capo. Per risolvere questo problema, il circuito Dolby Pro Logic incorpora

Data:	CORNICE	CENTRALE	RITARDO (ms)
PRO-LOGIC			
DOLBY 3 STEREO	—————		—————
HALL		—————	

un sistema dilaziatore del suono "surround". In questo modo, il suono dagli altoparlanti "surround" colpisce le orecchie dell'ascoltatore dopo quello proveniente dagli altoparlanti anteriori.

Il ritardo esatto richiesto dipende dalla distanza reciproca tra gli altoparlanti anteriori e "surround" rispetto alla posizione d'ascolto nell'ambiente.

Prendere nota prima di tutto della distanza tra gli altoparlanti Surround e il posto d'ascolto. Prendere quindi nota della distanza tra gli altoparlanti anteriore l'area di ascolto. Impiegare il grafico riportato qui sotto e prendere nota dell'intersezione delle due distanze. Si otterrà così l'impostazione raccomandata per il ritardo ottimale.

Per regolare l'impostazione del ritardo, assicurarsi che l'AV-711 sia nel modo Dolby Pro Logic, quindi premere "DELAY" sul quadro anteriore o sul telecomando. Continuare a premere "DELAY" finché non si ottiene il valore corretto sul display.

Le impostazioni Livello e Ritardo sono iscritte nella memoria dell'AV-711. Accendendo l'unità si ottiene il loro richiamo automatico.

Per maggior convenienza raccomandiamo di impiegare le caselle qui sotto per iscrivere le impostazioni. In caso di modifica involontaria sarà possibile procedere alle reimpostazione senza dovere ripetere la procedura di controllo.

TELECOMANDO

Il telecomando RC711 serve per tutte le funzioni principali dell'AV-711: vanta inoltre telecomandi supplementari per i riproduttori per cassette e CD della NAD. Funziona fino ad una distanza massima di 5 metri.

Le funzioni ausiliari modo ed impostazione sono a pulsanti neri. L'alimentazione e registrazione "Power" e "Record" (per un riproduttore per cassette NAD abbinato) sono in rosso.

Fare riferimento alle sezioni precedenti del Manuale per la descrizione delle varie funzioni.

"POWER" porta l'AV-711 tra "Acceso" e "Standby".

"SURROUND MODE" Per selezionare i modi Dolby Pro-Logic, Hall e By-pass.

"SLEEP" Per impostare il modo "SLEEP" dell'AV-711.

"TAPE 1" Seleziona il Nastro 1 quale input attivo.

"TAPE 2" Per selezionare il monitor Tape 2.

"TUNER" Per selezionare il sintonizzatore quale input attivo.

"AUX" Per selezionare il quale input attivo.

"CD" Seleziona il CD quale input attivo.

"VIDEO1" Per selezionare VIDEO1 quale input attivo.

"VIDEO2" Seleziona VIDEO 2 quale input attivo.

"TUNER BANK" Per selezionare una linea di preimpostazione del sintonizzatore

"PRESET" ▲ ▼ Seleziona una preimpostazione del sintonizzatore

COMANDO RIPRODUTTORE PER CASSETTE

(per impiego con il riproduttore NAD)

"DECK A", "DECK B" (quando solo un riproduttore per nastro è collegato, impiegare i comandi Deck B)
 ⌘ Ascolto inversione

▶ Ascolto in avanti

●/|| Registrazione e Pausa

■ Stop

◀◀ Riavvolgimento

▶▶ Avanzamento rapido

COMANDO RIPRODUTTORE PER CD

(per impiego con riproduttore per CD NAD)

"DISC" Disco successivo (per cambiadischi NAD per CD)

▶ "PLAY" (ascolto)

|| Pausa

■ Stop

◀◀ Pista precedente

▶▶ Pista successiva.

"DELAY" Per impostare il ritardo.

"TEST" inizia la procedura di controllo per l'impostazione "Surround".

"MUTE" Tacita tutti gli audio.

"CENTER VOLUME" ▲ ▼ Regola il livello relativo dell'altoparlante canale centrale.

"REAR VOLUME" ▲ ▼ Regola il livello relativo degli altoparlanti Surround.

"VOLUME" ▲ ▼ Aumenta o diminuisce il volume impiegando il comando motorizzato Volume sul quadro anteriore.

BATTERIE

Per garantire la massima durata di funzionamento si raccomandano batterie alcaline. Le due batterie AA (R6) sono nello scomparto portabatterie sul retro del telecomando. Quando si sostituiscono le batterie, controllare sempre che siano state infilate nel verso giusto, come appunto indicato all'interno dello scomparto portabatterie.



APPENDICE

UNA BREVE PANORAMICA DEL “SURROUND SOUND”.

A partire dalla prima metà degli anni 70, molte case cinematografiche hanno iniziato a realizzare film in numero sempre maggiore impiegando il “Dolby Stereo”, il sistema a quattro canali a suono circonferenziale detto “Surround Sound” disponibile oggi come oggi nella maggior parte delle sale.

Per fortuna è cosa abbastanza semplice prelevare la colonna sonora Dolby Stereo da un film e riportarla su videonastro stereo VHS, Disco Laser o Video-CD. La colonna sonora richiede peraltro alcuni accorgimenti particolari “per uso domestico”; e la versione “casalinga” dell’affermato Dolby Stereo è chiamata “Dolby Surround”.

Molte videocassette odierne sono realizzate appunto impiegando i dati “surround” progettati per il cinema. Oltre al suo impiego in video, il “Dolby Surround” viene utilizzato anche nei programmi destinati alla televisione e nei CD con musica: tutti questi possono essere decodificati impiegando il Vs. AV-711.

A differenza dei sistemi quadrafonici, che cercavano di riprodurre suoni provenienti da tutte le direzioni, il “Dolby Surround” è stato realizzato per darVi un’immagine sonora anteriore ben definita, mentre gli altoparlanti “surround” provvedono a riempire l’ambiente con suono atmosferico.

Il risultato migliore si ottiene quando gli altoparlanti “surround” non sono puntati direttamente verso l’ascoltatore. Un sistema ottimo per conseguire questo obiettivo è quello di impiegare altoparlanti “surround” dipolo che puntano il suono contro le pareti, invece che direttamente verso l’ambiente d’ascolto. Oppure si possono impiegare altoparlanti standard piccoli per l’effetto “surround”, ricordando sempre di non orientarli direttamente verso l’ascoltatore. Vale sempre la pena sperimentare le varie posizioni possibili degli altoparlanti “surround” in modo da individuare quale sia l’impostazione più perfetta.

POSIZIONAMENTO DELL’ALTOPARLANTE

Il posizionamento corretto degli altoparlanti di un sistema Pro Logic Surround è molto importante per assicurarne un funzionamento perfetto.

ALTOPARLANTI ANTERIORI

Gli altoparlanti anteriori vanno collocati equidistanziando quello sinistro e quello destro rispetto allo schermo del televisore. L’altoparlante centrale deve essere collocato sotto (o sopra) il televisore, in modo che il dialogo sia accentratato rispetto all’immagine sullo schermo.

ALTOPARLANTI “SURROUND”

Gli altoparlanti Surround servono per creare un’atmosfera diffusa che copre l’intero ambiente, piuttosto che dare effetti sonori distinti. Gli altoparlanti Surround vanno montati o a muro o su scaffali abbastanza rialzati sulle pareti laterali, parete posteriore o angolo posteriori. Gli altoparlanti possono essere ori-

entati lateralmente o verso l’alto per aumentare l’effetto di diffusione riflettendo il suono dalla pareti e dal soffitto prima che giunga all’orecchio.

SUB-WOOFER

I suoni a bassissima frequenza emessi dal sub-woofer sono difficili da localizzare, pertanto il sub-woofer può essere collocato in qualsiasi punto. Se i sub-woofer vengono posizionati contro pareti o negli angoli si aumentano i bassi.

PERCHE’ IMPIEGARE UN ALTOPARLANTE CENTRALE?

Il decodificatore Dolby Pro Logic dà tre output separati per i segnali anteriori - sinistro, centrale e destro. Gli effetti sonori, musica compresa, della maggior parte delle colonne sonore sono suddivisi su tutti e tre i canali centrali, mentre il dialogo viene portato principalmente al canale centrale soltanto.

Impiegando un altoparlante separato a canale centrale si permette al dialogo di farsi sentire, anche di fronte ad effetti sonori molto intensi e fortissimi brani musicali. L’aver il suono disseminato da tre altoparlanti anteriori permette inoltre di “stabilizzare” l’immagine stereo, ingrandendo pertanto l’area effettiva d’ascolto.

Se impiegate l’AV-711 con solo due altoparlanti anteriori, l’impostazione del modo CENTRALE su “PHANTOM” porta le informazioni centrali agli altoparlanti sinistro e destro. In questo modo si viene a creare l’impressione di una sorgente sonora centrale.

Per un risultato perfetto vale la pena di prendere in considerazione l’impiego di un altoparlante centrale. Idealmente parlando ..., dovrebbe essere il medesimo tipo degli altoparlanti sinistro e destro; peraltro, oggi come oggi, vi sono moltissimi nuovi altoparlanti (ad esempio il NAD 808CC) progettati specificatamente quali canale centrale aggiuntivo per impianti stereo precedenti.

ATTENZIONE: Se si intende impiegare un altoparlante in prossimità del televisore o di un monitor, assicurarsi che sia di tipo schermato magneticamente (vedere il Manuale di Istruzione per gli altoparlanti).

Non è possibile di solito modificare un altoparlante non schermato per farlo funzionare a poca distanza da un televisore o monitor.

PERCHE’ IMPIEGARE UN SUB-WOOFER?

Molte colonne sonore dei film fanno affidamento sulle frequenze bassissime che sono difficili da riprodurre con altoparlanti hi-fi normali. Per riprodurre fedelmente queste basse frequenze è possibile impiegare altoparlanti a basse frequenze, realizzati specificatamente con il loro amplificatore incorporato. Dal momento che è difficile percepire da quale punto giungano le basse frequenze, si richiede di solito solo un sub-woofer: questo può essere collocato in qualsiasi parte dell’ambiente. L’output SUBWOOFER dell’AV-711 è progettato appositamente per comandare un sistema con sub-woofer.

FASE ALTOPARLANTE

Nel caso di un sistema del tipo "teatro domestico" è importante che i tre altoparlanti anteriori siano reciprocamente in fase. Una fasatura non corretta dà immagine stereo scadente e perdita apparente dei bassi. Se impiegate altoparlanti dello stesso fabbricante ed amplificatori tutti dello stesso fabbricante, assicurarsi che tutti i connettori rossi sugli output degli altoparlanti amplificatori siano collegati al connettore rosso sull'altoparlante, per assicurare appunto la fasatura corretta dell'impianto.

Se utilizzate invece amplificatori od altoparlanti di costruttori differenti, o se gli amplificatori vengono impiegati nel modo "ponticellare", è possibile allora che lo sfasamento sia invertito internamente in alcuni amplificatori od altoparlanti: controllare pertanto che la fasatura sia corretta, ascoltando un brano musicale.

Per controllare la fase durante l'ascolto, impostare l'AV-711 su DOLBY PRO-LOGIC e MUTE OFF, quindi selezionare una stazione FM. In questo modo si otterrà la medesima sonorità da tutti e tre gli altoparlanti anteriori. Scollegare gli altoparlanti "Surround" e l'altoparlante anteriore destro. Si deve ottenere un'immagine stereo regolare, come se il suono provenisse da un unico punto tra gli altoparlanti centrale e sinistro anteriore. Se il segnale sembra diffuso, e non sembra quindi provenire da un unico punto, invertire le connessioni all'altoparlante centrale. In questo modo, il segnale deve sembrare proveniente da un unico punto tra gli altoparlanti sinistro e centrale.

Ricollegare l'altoparlante anteriore destro e scollegare quello sinistro, quindi ripetere la procedura con gli altoparlanti destro e centrale anteriore, invertendo le connessioni solo sull'altoparlante anteriore destro se si richiede correzione dello sfasamento.

Gli altoparlanti "surround" saranno di solito in fase reciproca se sono stati collegati come prescritto.

Non esiste una regola infallibile in merito allo sfasamento tra gli altoparlanti anteriore e la coppia di "surround" o il "Sub-Woofer" (se in dotazione). Collegandoli con il connettore rosso dall'amplificatore al connettore rosso degli altoparlanti si deve ottenere il risultato prescritto. In alcuni ambienti, peraltro, l'inversione delle connessioni può dare un forte aumento della risposta dei bassi oppure si può rilevare un miglioramento dell'immagine stereo globale; è possibile quindi che desideriate sperimentare l'impostazione invertendo le connessioni su entrambi i "surround" oppure invertendo le connessioni al "Sub-Woofer".

ESEMPI DEL SISTEMA

L'AV-711 può essere impiegato quale "cuore" per una vasta gamma di sistemi del tipo a "Surround Sound". Presentiamo due configurazioni possibili per il sistema; una basilare, l'altra più sofisticata!

UN'IMPOSTAZIONE SEMPLICE IMPIEGANDO L'AV-711.

Questo impianto utilizza l'AV-711 con un video, giradischi, CD, riproduttore per cassette e TV con altoparlanti anteriori stereo e Surround, quali i NAD 805RC.

Il giradischi, il riproduttore per CD e quello per cassette sono collegati rispettivamente a CD e TAPE 1 (IN ed OUT).

Il VCR è collegato a VIDEO 1, poiché verrà impiegato solo per l'ascolto tramite l'impianto, mentre la videoregistrazione avviene tramite il sintonizzatore interno del VCR.

L'input "Video Line Input" del televisore è collegato con "MONITOR".

Dal momento che vi sono i Surround ma non si dispone di altoparlante a canale centrale, il motore "CENTER" è impostato su "PHANTOM"

UN'IMPOSTAZIONE PIU' SOFISTICATA IMPIEGANDO L'AV-711

Questa impostazione impiega l'AV-711 quale "elemento centrale" per un sistema sofisticato per teatro domestico. Oltre alle sorgenti audio standard, l'impianto ha un VCR, un riproduttore per Laser Disc ed una console per giochi ("Games") collegati alle sorgenti AV. L'output MONO è collegato ad un sub-woofer con alimentazione in proprio. L'AV-711 è collegato inoltre ad un secondo sistema audio in un'altra stanza.

Il giradischi, il riproduttore per CD e quello per cassette sono collegati rispettivamente a CD e TAPE 1 (IN ed OUT).

La console per solo playback Dischi Laser/Giochi è collegata agli input "VIDEO1" audio e video.

Il VCR è collegato al VIDEO 2 che ha INPUT ed OUTPUT audio/video per permettere la registrazione da altre sorgenti video.

L'output "TAPE 2" è collegato tramite fonocavi all'Aux Input del sistema hi-fi nell'altra stanza, alimentando un sistema hi-fi in un secondo ambiente, che impiega il NAD-Link dell'amplificatore per trasmettere informazioni relative ai telecomandi all'AV-711. Il connettore "OUT" del NAD-Link sul secondo amplificatore hi-fi è collegato a "IN" del NAD-Link sull'AV-711 in modo da potere essere telecomandato dall'altra stanza.

L'input "Video Line Input" del televisore è collegato con "MONITOR".



RICERCA GUASTI

SINTOMO

POSSIBILI CAUSE

Non vi è suono

Cavo alimentazione C.A. scollegato, oppure non vi è tensione. *Controllare il cavo della C.A.*

“Tape Monitor” inserito. *Disabilitazione del modo “Tape Monitor”.*

Altoparlanti non selezionati. *Selezionare altoparlanti*

“Mute” inserito. *Spegnere il “Mute”.*

Fusibile interno saltato. *Interpellare il Concessionario.*

Non si ha suono da un canale

Comando “Balance” non centrato. *Centrare il comando “Balance”.*

Altoparlante non collegato come prescritto oppure danneggiato. *Controllare le connessioni e gli altoparlanti.*

Cavi altoparlanti oppure input scollegati o danneggiati. *Controllare i cavi e le connessioni.*

Modi DOLBY PRO-LOGIC e HALL non in funzione

Altoparlante B selezionato. *Altoparlante A selezionato.*

Non si ha suono dai canali “SURROUND”

Non è stato scelto un modo “surround”. *Selezionare i modi “Dolby Pro Logic” oppure “Hall”.*

La sorgente sonora è in “Mono”. *Controllare l'impianto impiegando programmi OK stereo o “Dolby Surround”.*

Altoparlanti non collegati come prescritto oppure danneggiati. *Controllare gli altoparlanti e le connessioni.*

Livello di Surround troppo basso. *Aumentare il livello Surround.*

Non si ha suono dai canali CENTRALI

È stato selezionato il modo “Phantom Centre”. *Selezionare i modi normale o banda larga.*

È stato selezionato il modo “By-pass”. *Selezionare i modi “Dolby Pro Logic” oppure “Hall”.*

Livello centrale troppo basso. *Aumentare il livello centrale.*

Immagine debole bassi stereo diffuso

Altoparlanti collegati fuori fase. *Controllare le connessioni a tutti gli altoparlanti dell'impianto.*

La posizione del segnale di controllo “TEST SIGNAL POSITION” non si confronta accensione della spia controllo di segnale.

Altoparlanti collegati agli output sbagliati. *Controllare le connessioni a tutti i canali altoparlanti e amplificatori.*

Mancato funzionamento del telecomando

Batterie scariche o non inserite come prescritto. *Controllare o sostituire le batterie.*

Finestrella trasmettitore o ricevitore ad infrarossi “IR” ostruita. *Eliminare l'ostruzione.*

Rumorosità del sintonizzatore

Sibilo - Segnale debole. *Controllare la sintonizzazione. Regolare o sostituire l'antenna.*

Distorsione - Segnali diversificati. *Controllare la sintonizzazione. Regolare o sostituire l'antenna.*

Fischi o ronzii in FM & AM: Interferenze e disturbi vari da altri sorgenti elettriche - computer, console giochi. *Controllare la sintonizzazione. Spegnere o spostare la sorgente delle interferenze elettriche.*

Fischi o ronzii in AM: Interferenze da luci al neon o motorini elettrici. *Controllare la sintonizzazione. Regolare o sostituire l'antenna AM.*

INSTRUKTION FÖR INSTALLATION OCH ANVÄNDANDE.

TÄNK PÅ FÖLJANDE VID INKOPPLING.

AV 711 bör placeras på en jämn stabil yta. Undvik att placera apparaten så att den utsätts för direkt solljus, står nära värmekällor eller utsätts för fukt samt se till att apparaten inte står instängd utan ventilation.

Se till att apparaten står i "Stand by"-läge innan några anslutningar görs.

Anslutningskontaktarna är färgkodade för att underlätta inkoppling. Röd och vit är Ljud, höger resp.vänster, gul är Video (kompositsignal) och orange är för NAD-LINK.

NAD AV 711 levereras med signalkablar av standardkvalitet.

För att få ut det mesta ur apparaten bör kablar av högre kvalitet övervägas, konsultera Hi-Fi Klubben angående val av bättre signalkablar. Vanliga bra signalkablar, avsedda för ljudöverföring fungerar i nödfall även för videosignaler men vi rekommenderar särskilt avsedda videokablar för optimal kvalitet.

Försäkra dig om att kablar och kontakter inte är skadade på något sätt och att alla kablar är ordentligt intryckta i kontakterna.

Om apparaten inte skall användas under en längre tid bör nätsladden kopplas ur väggurtaget. Om det skulle komma vatten i apparaten så måste strömmen brytas omedelbart genom att nätsladden kopplas ur väggurtaget. Innan apparaten får tas i bruk måste den gås igenom av Hi-Fi Klubbens verkstad. Avlägsna inte locket på apparaten själv, det finns inga delar i apparaten som du som kund kan åtgärda.

Vid rengöring, använd en ren mjuk trasa, lätt fuktad vid behov.

Använd inga starka lösningsmedel på höljet då det kan skada finishen, en mild tvållösning kan användas mot fettfläckar etc.

ANSLUTNINGAR PÅ APPARATENS BAKSIDA

1. CD INPUT (CD INGÅNG)

Här ansluter du din CDspelare (analog signal) eller någon annan källa med linjenivåsignal. Använd en signalkabel av god kvalitet med RCAkontakter i båda ändarna. Anslut CDspelarens höger och vänster audioutgångar till denna ingång.

2. AUX INPUT

Väljer den extra ingången "AUX" som aktiv ingång.

3. TAPE 1 (TAPE 1 IN/UTGÅNG)

Anslutningar för analog in och avspelning till en vanlig bandspelare, kassettdäck, rullbandspelare, DAT, MD eller DCC.

Anslut bandspelarens höger och vänster audioutgångar till TAPE 1 IN för avspelning. Anslut sedan bandspelarens höger och vänster audioingångar till TAPE 1 OUT för inspelning. Val av källa att spela in väljs sedan på apparatens framsida.

4. TAPE 2 (TAPE 2 IN/UTGÅNG)

Anslutningar för analog in och avspelning till en vanlig bandspelare, kassettdäck, rullbandspelare, DAT, MD eller DCC.

Anslut bandspelarens höger och vänster audioutgångar till TAPE 2 IN för avspelning. Anslut sedan bandspelarens höger och vänster audioingångar till TAPE 2 OUT för inspelning. Val av källa att spela in väljs sedan på apparatens framsida.

5. VIDEO 1 (AUDIO INGÅNG)

Ingång för audiosignal från en Videobandspelare, Satellitmottagare eller Kabeltvidekoder. Anslut signalkällans höger och vänster audioutgångar till denna ingång på AV 711.

6. VIDEO 2 (AUDIO IN/UTGÅNG)

Anslutningar för både in och avspelning till en Videobandspelare.

Anslut signalkällans höger och vänster audioutgångar till VCR 2 AUDIO IN på AV 711 för avspelning. Anslut sedan signalkällans höger och vänster audioingångar till VCR 2 AUDIO OUT på AV 711 för inspelning.

7. SUBWOOFER (SUBBAS UTGÅNG)

Extra linjeutgång för anslutning till tex. en subbas med inbyggd effektförstärkare. Utgången lämnar en ofiltrerad monosignal och är inkopplad när högtalarpår "A" har valts på framsidan.

8. AM ANTENNA (AM ANTENN)

För att ta emot AM signaler måste en yttre AM antenn anslutas.

Anslutning finns för antingen koaxialkontakt eller klämlist. Anslut den skalade ändan till AM terminalen, lås fast den genom att vika ner låsblecket. (Fig. 2)

Om din AV 711 är en USA eller Kanada modell, tryck ner kontaktblecket och stick in kabeln. Släpp blecket för att låsa fast kabeln. Prova antennen i olika positioner för att få fram bästa mottagning, men se alltid till att antennölgaln är orienterad vertikalt för optimal mottagning. Umdvik att placera antennen nära stora metallföremål som kan störa mottagningen.

Låt antennen hänga löst på baksidan av apparaten. Försök att hålla undan antennen från stora metallytor då de skärmar av mottagningen.

9. FM ANTENNA (FM ANTENN)

Antenningången för FM mottagning är avsedd för 75 ohms koaxialkabel. Om du skulle vilja ansluta en trådentenn med en impedans på 300 ohm (Fig. 1).

För att använda NAD AV 711 måste man ansluta en antenn. Den trådentenn och adaptor som följer med är bara för att radion skall kunna användas direkt. För bästa mottagning bör en bättre antenn eller en centralantenn anslutas. Trådentennen är formad som ett T. T:ets vertikala del ansluts via adaptorn till



NAD AV 711. Antennen skall sättas upp som ett T på tex en vägg, orienterad så att signalen blir så stark som möjligt.

10. SOFT CLIPPING ON/ OFF

När en förstärkare drivs så att den angivna effekten överskrider "klipper" förstärkaren. Det innebär att topparna på vågformerna klipps av och ljudet låter sprucket och obehagligt. Risken att förstöra högtalarna är mycket stor om en förstärkare klipper.

NADs SOFT CLIPPING är en krets som reducerar graden av klippning mjukt så att ljudet inte förvrängs lika mycket, risken att bränna högtalarelement minskar också. Funktionen SOFT CLIPPING kan väljas på bakpanelen och bör användas om man kan tänkas spela så högt att förstärkaren kommer att arbeta på gränsen av sin förmåga.

11. VIDEO 1 (VIDEO)

Videosignal på linje nivå (kompositsignal). Använd en kabel avsedd för videoöveföring, anslut den till Videoutgången på LDn, Videon eller satellitmottagaren för avspelning och motsvarande ingång på AV 711. Välj LD, VCR 1 eller VCR 2 på framsidan av AV 711 för att skicka vald signal till MONITOR och VCR 2 utgångarna.

12. VIDEO 2 (VIDEO)

Kompositsignal för inspelning av videokälla ansluten på antingen LD eller VCR 1 ingångarna.

Anslut en videokabel mellan videons VIDEO IN-kontakt och VCR 2 VIDEO OUTPUT för inspelning.

13. MONOTOR VIDEO OUTPUT (MONITOR VIDEO UTGÅNG)

Kompositsignal för till Tv eller Videoprjektor odyl för källor anslutna till LD, VCR 1 och VCR 2. Anslut en videokabel till Tvn eller projektorns "VIDEO LINE IN" och till MONITOR VIDEO OUTPUT på AV 711. Denna utgång kan också användas som en extra utgång om det behövs vid inspelning.

14. FRONT SPEAKERS (FRÄMRE HÖGTALARPAR)

Högtalarutgångarna kan sättas på och stängas av med knappen märkt "SPEAKERS" på apparatens fronpanel.

Anslut höger högtalare till terminalerna märkta "R +" och "R -" och försäkra dig om att "R +" är ansluten till högtalarens pluspol och "R -" är ansluten till högtalarens minuspol. Anslut vänster högtalare till "L +" och "L -" på samma sätt.

Använd högtalarkablar av hög kvalitet, kontakta Hi-Fi Klubben för val av bästa kablar.

. Skruva ur hylsan på högtalarterminalen och tryck in den skalade änden på kabeln i öppningen (Fig. 3) och spänn åt hylsan så hårt som förnuftet medger. Anslut så kallade PINKontakter på samma sätt.

Kontrollera så att inga lösa koppartrådar hänger löst utanför kontakten och kan orsaka kortslutning.

OBSERVERA: Denna enhet är konstruerad att prestera optimal ljudkvalitet när anslutna högtalare har en impedans som håller sig inom ramarna för vad som rekommenderas.

Impedanserna för de olika högtalarna bör vara följande.

Främre högtalare: Minimum 4 per högtalare.

Centerhögtalare: Minimum 8 .

Surroundhögtalare: Minimum 4 per högtalare.

15. CENTER SPEAKER (CENTERHÖGTALARE)

Här ansluts centerhögtalaren som används när AV 711 används i DOLBY PRO-LOGIC, DOLBY 3 STEREO och HALL läge. Anslut centerhögtalaren till terminalerna märkta "Centre +" och "Centre -" och försäkra dig om att "Centre +" är ansluten till högtalarens pluspol och "Centre -" är ansluten till högtalarens minuspol. Skala av ungefär en centimeter isolering på varje kabel och tvinna ihop änden på varje kabel för sig. Vik undan låsblecket och tryck in den skalade kabeländan och vik tillbaka låsblecket. Kontrollera så att inga lösa koppartrådar hänger löst utanför kontakten och kan orsaka kortslutning. Denna högtalaren fungerar tillsammans med de främre högtalarpär och kopplas på och av med knappen "SPEAKERS" på frontpanelen.

16. REAR SPEAKERS (SURROUNDHÖGTALARE)

Här ansluts surroundhögtalarna som används när AV 711 används i DOLBY PRO-LOGIC, DOLBY 3 STEREO och HALL läge. Anslut höger surroundhögtalare till terminalerna märkta "R +" och "R -" och försäkra dig om att "R +" är ansluten till högtalarens pluspol och "R -" är ansluten till högtalarens minuspol. Anslut vänster surroundhögtalare till "L +" och "L -" på samma sätt.

Skala av ungefär en centimeter isolering på högtalarkablarna och tvinna den skalade delen så att inga lösa kardeler sticker ut. Tryck ner kontaktblecket och stick in kabeln. Släpp blecket för att låsa fast kabeln. Vik undan låsblecket och tryck in den skalade kabeländan och vik tillbaka låsblecket. Kontrollera så att inga lösa koppartrådar hänger löst utanför kontakten och kan orsaka kortslutning. Dessa högtalare fungerar tillsammans med de främre högtalarna och kopplas på och av med knappen "SPEAKERS" på frontpanelen.

* Tillverkad under licens från Dolby Laboratories Licensing Corporation. "Dolby", dubbel-D symbolen och "Pro Logic" är varumärken som tillhör Dolby Laboratories Licensing Corporation.

17. NAD-LINK IN/OUT (IN/UTGÅNG)

NAD-Link anslutningarna används för att skicka fjärrkontroll-kommandon mellan olika enheter utrustade med NAD-Link. Det ger dig möjlighet att kontrollera din anläggning från mer än ett rum.

För att kunna styra fler enheter än AV 711 så måste dessa kopplas ihop via NAD-Link in- och utgångar. Flera enheter kan seriekopplas så att anläggningens samtliga fjärrkontroll-funktioner kan styras centralt. En NAD-Link koppling till en annan Hi-Fi anläggning i ett annat rum gör att man kan styra anläggningen från det första rummet med en fjärrkontroll i nästa rum.

18. AC UTGÅNGAR (ENDAST PÅ USA & KANADA MODELL)

Om någon annan stereoapparat ansluts till den UNSWITCHED AC utgången, kommer den att vara strömförsörjd antringen om AV 711 är påslagen eller ej. De uttag som är märkta "UNSWITCHED" får inte belastas med än 120 watt.

19. AC POWER CORD CONNECTOR (NÄTSLADD)

För anslutning till vägguttag. Om apparaten inte skall användas under en längre tid bör nätsladden kopplas ur vägguttaget.

KONTROLLER PÅ APPARATENS FRAMSIDA.

AV/PÅ, HÖTALAROMKOPPLARE & HÖRLURSUTTAG.

1. POWER

Ett tryck på knappen slår på apparaten. Ett tryck till på Power-knappen slår av apparaten.

2. SPEAKERS

Knappen märkt SPEAKERS stänger av och sätter på högtalare kopplade till FRONT, CENTER och REAR terminalerna. När högtalarna är inkopplade lyser indikatorn "SPEAKERS".

3. STANDBY

Den gröna lysdioden visar att apparaten får spänning, men att den är avslagen. Ett tryck på knappen slår på apparaten. Fönstret på AV 711 visar de aktuella inställningarna. När apparaten är påslagen kommer den gröna lysdioden att indikera när signaler från fjärrkontrollen tags emot. Ett tryck till på AV/PÅ knappen slår av apparaten till viloläge. När apparaten slås av lagras alla de senaste inställningarna i ett minne. AV 711 återgår till dessa inställningar när strömmen slås på igen. Samma minne används också till att lagra förinställda lägen för radiodelen och DOLBY PRO-LOGIC processorn, så att dessa inställningar inte går förlorade när strömmen slås av eller nätsladden dras ur. Minnet klarar sig utan spänning i ungefär två veckor.

OBSERVERA: När AV711 står i standbyläge, matas det fortfarande spänning till apparaten. Stäng av AV 711 eller koppla ur den ur vägguttaget om apparaten inte skall användas på ett tag.

4. HEADPHONE SOCKET (PHONES)

För lyssning i hörlurar finns ett 6.3mm hörlursuttag på frontpanelen. Uttaget har sin egen förstärkarkrets och kan driva alla konventionella hörlurar oavsett impedans. Alla signalkällor som är inkopplade på AV 711 kan avlyssnas, dock blir det inte surroundljud i hörlurarna. Volym, balans och klangfärg kan regleras på frontpanelen. Om dina hörlurar har en annan typ av anslutningskontakt kan man använda en adapter, fråga Hi-Fi Klubben vilken typ du behöver.

WARNING! Lyssning på höga ljudnivåer kan skada din hörsel.

VOLYM, BALANS OCH TONKONTROLLER

5. VOLUME

Volymkontrollen justerar den totala ljudstyrkan. Den påverkar inte inspelningar som går via Bandspelarutgångarna, videoutgångarna.

6. BASS & TREBLE

AV 711 är utrustad med kontroller för bas och diskant reglering för att du skall kunna justera klangfärgen i programaterialet om så behövs. För att öka något register skall reglaget vridas medsols, om något register skall minskas skall reglaget vridas motsols. Tonkontrollerna påverkar bara klangen i höger och vänster frontkanaler. I surroundläge förblir återgivningen i Center och Surroundkanalen opåverkad. Tonkontrollerna påverkar inte inspelningar som görs via Tape eller VCR utgångarna.

7. BALANCE

Balanskontrollen justerar den relativa nivån mellan höger och vänster frontkanaler. Mittläget ("klockan 12") ger lika nivå i höger och vänster kanal. För att reglera balansen, vrid kontrollen åt det hållet ökad styrka önskas. Balanskontrollen påverkar inte inspelningar som går via Bandspelarutgångarna eller videoutgångarna.

8. TONE DEFEAT

För att få den kortaste signalvägen och den renaste återgivningen kan man koppla ur tonkontrollerna med knappen märkt TONE DEFEAT.

I intryckt läge går signalen förbi tonkontrollerna. Om knappen är uttryckt passerar signalen tonkontrollerna och kan regleras.

INGÅNGS OCH MONITOR VÄLJARE.

9. VIDEO 1, VIDEO 2, TAPE 1, TAPE 2, MONITOR, FM, AM, AUX & CD.

Med de här knapparna väljer du vilken källa som skall användas. Namnet på den aktuella källan visas i displayen.

VIDEO 1

Väljer signalen från en stereo TV, Sattelitmottagare, dekoder eller laserdiscspelare anslutna till Video1 ingångarna på baksidan.

VIDEO 2

Väljer signalen från videobandspelare som är ansluten till Video 2. Video 1 eller 2 visas i displayen när dessa är inkopplade.

TAPE 1

Väljer Tape 1 som aktiv ingång.

TAPE MONITOR

Väljer signalen från Tape 2. Tape 2 Monitor matar signalen direkt till AV 711s förstärkare och avbryter inte den valda signalkällan. Om CD har valts tidigare och Tape Monitor kopplas in, kommer CDsignalen att fortsatt matas till inspelningsutgångarna TAPE 1, TAPE 2 och VIDEO 2, medan TAPE 2 signalen hörs i högtalarna och i hörlurarna. T-2 Monitor visas i displayen när Tape 2 Monitor har valts-



FM

Väljer FM radio. Väljs även om något av FM snabbvalen trycks in.

AM

Väljer AM radio. Väljs även om något av FM snabbvalen trycks in.

AUX

Väljer den extra ingången som aktiv ingång.

CD

Väljer CDingången som aktiv ingång.

SURROUND FUNKTIONER.

10. SURROUND

Knappen märkt surround kopplar in AV 711s surround funktioner. Genom att trycka på surroundknappen upprepade gånger kan man stega sig igenom de olika funktionerna: DOLBY PRO-LOGIC, HALL och BY-PASS (vanlig stereo).

DOLBY PRO-LOGIC avkodar surround informationen ifrån tex. filmer eller TV. För att sådan information skall kunna avkoda sådan information måste programaterialet vara inspelat i Dolby Surround eller Dolby Stereo och programkällan måste ha stereoåtergivning.

HALL -läget ger surroundljud från en vanlig stereoljudkälla som tex. CD eller FMradio.

BY-PASS kopplar tillbaka till vanlig stereoåtergivning.

Det valda läget visas i huvuddisplayen i tre sekunder och visas sedan kontinuerligt i den delen av displayen som visar surroundinställningen.

Som en extra bekvämlighet kommer AV 711 ihåg vilken surroundinställning som användes till vilken signalkälla. När du sedan nästa gång väljer en ingång slår apparaten automatiskt om till samma surroundläge som användes sist.

11. CENTER

Väljer typ av återgivning för centerhögtalaren som används tillsammans med de främre högtalarna.

Genom att tryck på CENTER knappen stegas man igenom de tre olika möjligheterna: NORMAL, PHANTOM & WIDEBAND. För Dolby Pro Logic använt NORMAL, PHANTOM & WIDEBAND och för Dolby 3 Stereo använd NORMAL & WIDEBAND.

NORMAL läge används när man har en speciell centerhögtalare som är mindre än huvudhögtalarna. För att inte den mindre centerhögtalaren skall överbelastas, återges ingen bas under 70Hz. Djupbasen hanteras istället av huvudhögtalarna.

WIDEBAND läget används när man har en centerhögtalare av samma typ som huvudhögtalarna. Nu återges hela signalen med fullt frekvensomfång.

PHANTOM läget används när man inte använder någon centerhögtalare. Nu delas centerkanalen upp så att den återges igenom huvudhögtalarna, så att de skapar en "fantom" ljudbild av centerkanalen.

Det valda läget visas i huvuddisplayen i tre sekunder och visas sedan kontinuerligt i den delen av displayen som visar surroundinställningen.

Som en extra bekvämlighet kommer AV 711 ihåg

vilken inställning för centerkanalen som användes till vilken signalkälla. När du sedan nästa gång väljer en ingång slår apparaten automatiskt om till samma läge som användes sist. Funktionen kan bara ändras när apparaten är i DOLBY PRO-LOGIC läge.

12. DELAY

Med DELAYfunktionen väljer man hur mycket tidsfördröjning bakkanalerna skall ha i förhållande till frontkanalerna när man använder surroundlägena.

Genom att trycka på DELAYknappen kan man stega fram tiden i 5 millisekunders intervall från 5-30ms i HALL och mellan 15-30ms i DOLBY PRO-LOGIC läge. Olika tider kan lagras för DOLBY PRO-LOGIC och HALL. De olika tiderna lagras i apparatens minne och återkallas automatiskt när respektive läge väljs. Funktionen kan bara ändras när apparaten är i DOLBY PRO-LOGIC och HALL-läge.

(Se även avsnittet "Inställning av ett surround system")

RADIODEL

9. AM & FM INPUT (AM & FM RADIODELSVÄLJARE.)

Tryck på AM eller FM knappen för val av önskad radiomottagning. Displayen visar inställd frekvens och vilket snabbval man valt.

13. TUNE ▲ ▼

För inställning av önskad frekvens eller snabbval. Det finns två sätt att ställa in önskad frekvens: Manuell och Självsökning.

Manuell: Genom att trycka upprepade gånger på upp och ner ökar eller sänker den inställda frekvensen med 50kHz för FM och 9kHz för AM.

Självsökning: Om man håller ner någon av sökknapparna mer än en halv sekund börjar radion att söka upp eller ner beroende på vilken knapp som tryckts in. Sökningen pågår till en station påträffas. När en station är inställd kommer "TUNED" att lysa i displayen. Sökfunktionen fungerar bara för FMbandet.

14. PRESET

AV 711 är utrustad med snabbval för att man skall kunna hitta sina stationer snabbt. Tryck på PRESET för att nå eller programmera snabbvalen. De trettio snabbvalen kan användas till både FM och AM och lagras i tre banker om tio stationer vardera. Val av aktuellt snabbval visas i displayen.

15. BANK

Tryck på "BANK" för att välja någon av de tre bankerna av snabbval.

För bekvämlighet kan man lagra två banker med FMstationer och en med AM.

Man kan givetvis blanda hur man vill mellan FM och AM i samma bank. Vald bank visas i displayen.

16. MEMORY

Används vid lagring av snabbval.

17. FM MUTE / MODE

Kopplar om FMdelen mellan Mute On/ Stereo och Off/ Mono. I normalläge (FM MUTE ON) är radion tyst under sökning tills man finner en tillräckligt stark station upptäcks. Om man trycker på FM MUTE/ MODE slår man ifrån mute-funktionen. AV 711 slår automatiskt om till stereo när man hittar en station vilket visas av stereoindikatorn i displayen.

Svaga stereosignaler kan ha ett högt bakgrundsbrus. Om man slår över till mono med FM MUTE OFF, försvinner bakgrundsbruset.

SÖKNING OCH LAGRING AV AM & FM RADIOSTATIONER.

Du kan använda den manuella eller självsökningen för att leta upp vilka stationer som sänder i ditt område och använda MEMORY knappen för att lagra dem i apparatens minne. Välj först om du vill lyssna på FM eller AM. Tryck sedan på sökknappen (13) uppåt eller neråt en halv sekund för att starta självsökningen. När radion finner en station med tillräcklig styrka stannar sökningen vid den stationen. För att lagra den stationen som ett snabbval, tryck på MEMORY knappen. Nu blinkar MEMORY och PRESET i åtta sekunder eller tills du lagrat stationen i minnet. Tryck på BANK knappen och välj vilken bank du vill lägga stationen på. Tryck sedan på TUNE upp och ner knapparna för att välja vilket snabbvalsnummer stationen skall få. Aktuellt snabbvalsnummer visas i displayen. Tryck åter på MEMORY för att lagra stationen på avsedd plats i minnet. AV 711 återgår automatiskt till normal drift. Informationen finns nu lagrad i minnet tills du själv raderar den.

VAL AV RADIOSTATION VIA SNABBVAL.

Om du vill lyssna på någon av de stationer du har i snabbvalsminnet skall du trycka på PRESET, snabbvalsindikatorn tänds nu och visar det snabbval som användes senast. För att nu byta snabbval måste du först välja den bank som din station finns i. Tryck sedan på PRESET knappen. Tryck sedan på TUNE upp eller ner för att stega fram genom de olika snabbvalen tills rätt snabbval visas i displayen. AV 711 hoppar över de snabbvalsplatser som ej har programmerats.

Använd fjärrkontrollen, tryck på BANK knappen och välj bank grupp, tryck därefter på PRESET (+ eller - knappen).

HÄMPTNING AV SNABBVAL.

Plocka först fram det gamla snabbvalet. Tryck sedan in MEMORY knappen samtidigt som du trycker på FM MUTE/ MODE knappen. Snabbvalsnumret försvinner nu från displayen och platsen är nu tom.

SLEEP OCH MUTE FUNKTIONERNA

Knapparna för SLEEP och MUTE finns bara på fjärrkontrollen.

SLEEP

Funktionen SLEEP kan få AV 711 att slås av automatiskt efter en förutbestämd tid. Ett tryck på

SLEEP knappen ger 90 minuter tills apparaten slås av. SLEEP läge och tid visas i displayen.

För att ändring av tiden skall SLEEP knappen hållas intryckt, då minskar tiden i tio minuters steg vilket visas i displayen. Om du ångrar SLEEP inställningen skall du hålla knappen intryckt tills ljudkällans namn (CD, FM, Tape etc.) visas i displayen. Om du stänger av apparaten nollställs SLEEP också.

MUTE

Tryck på MUTE för att stänga av ljudet i högtalarna och i hörlurarna temporärt. Audio Mute visas då i displayen. För att få tillbaka ljudet trycker du på mute en gång till.

INSTÄLLNING AV ETT SURROUNDSYSTEM.

För att fungera som avsett bör ett surroundsystem justeras in noggrant med avseende på nivåer och tidsfördröjning till surroundhögtalarna. De inställningar som berör nivåerna i de olika kanalerna utföres med TEST och SPEAKER LEVEL knapparna på fjärrkontrollen. Det är viktigt att alla högtalare är inkopplade i korrekt fas till AV 711. Kontrollera att alla högtalarnas pluspoler är kopplade till de röda pluspolerna på förstärkaren. Innan du fortsätter skall du kontrollera att inställningen på förstärkaren för Centerkanalen överensstämmer med den den centerhögtalare du tänker använda. TONE DEFEAT bör var tillkopplat och Balansreglaget skall stå rakt upp.

HUR DU ANVÄNDER "TEST" FÖR ATT JUSTERA IN DIN ANLÄGGNING.

När alla högtalare är anslutna och volymen nerskruvad till noll, tryck in DOLBY PRO-LOGIC och SPEAKER och därefter TEST på fjärrkontrollen. Nu matas en testsignal till varje kanal i tur och ordning (vänster, center, höger och surround), så att de kan justeras till samma ljudnivå vid din lyssningsposition. Displayen visar vilken högtalare som matas med testsignalen.

Vrid upp volymen tills signalen är lagom hög genom höger och vänster högtalare. när testsignalen kommer till Centerhögtalaren, justera in den till samma nivå som höger-vänster högtalarna med CENTER volymen ▲ ▼ knapparna. Den relativa nivån på centerhögtalaren visas i displayen och kan regleras i dBsteg. Under -20dB blir stegen större.

När du är klar med injusteringen av centerkanalen kommer testsignalen att fortsätta skifta mellan de olika högtalarna. Om du inte skulle vara nöjd med din inställning är det bara att göra om proceduren igen tills du är nöjd.

Gör nu om proceduren med surroundhögtalarna genom att använda REAR volym upp och ner knapparna på fjärrkontrollen när du valt Dolby Pro Logic läge. Justeringen sker i båda surroundhögtalarna samtidigt.

Om en subbas används i systemet, reglera nivån på subbasen så att den precis hörs, men inte dominerar ljudbilden. Nivån kan finjusteras senare så att den passar det programmaterial som används.



Datum:	SURROUND	CENTER	FÖRDRÖJNING (ms)
PRO LOGIC			
DOLBY 3 STEREO	_____		_____
HALL		_____	

INSTÄLLNING AV TIDSFÖRDRÖJNINGEN TILL SURROUNDHÖGTALARNA.

Eftersom surroundhögtalarna vanligtvis är placerade närmare lyssnaren än de tre fronthögtalarna, finns det en tendens att de kan dominera återgivningen då ljudet från dem når lyssnaren för ljudet från fronthögtalarna. För att undvika detta problem innehåller DOLBY PRO-LOGIC kretsarna en ställbar tidsfördröjning till surroundhögtalarna. Den ser till att ljudet från surroundhögtalarna alltid når lyssnaren efter ljudet från fronthögtalarna.

Hur mycket tidsfördröjning som skall användas beror på avståndet mellan fronthögtalare, surroundhögtalare och lyssningspositionens placering i rummet.

Notera först avståndet mellan lyssningspositionen och surroundhögtalarna. Kontrollera nu avståndet fronthögtalarna och lyssningspositionen. Använd diagrammet nedan för att se var de två avstånden sammanfaller, där kan man avläsa den korrekta tidsinställningen.

För att ställa in den korrekta tiden, slå över AV 711 i DOLBY PRO LOGIC läge och tryck på DELAY på frontpanelen eller på fjärrkontrollen. Fortsätt att trycka på DELAY tills rätt tid visas i displayen.

Värdena för nivåer och tidsfördröjning lagras i minnet på AV 711. När apparaten sätts på återställs alla värden ur minnet. För säkerhets skull kan du föra in dina värden i tabellen nedan så att de kan programmeras in igen om de skulle bli ändrade av misstag i apparaten. Nu kan du enkelt ställa in alla värden utan att köra testproceduren.

FJÄRRKONTROLLEN

Fjärrkontrollen till AV 711 (RC 711) kan hantera de flesta funktionerna men också huvudfunktionerna på NADs kassettdäck och CD spelare. Den fungerar på avstånd upp till 5m.

Knapparna är svarta utom Power och Record (För NADs kassettdäck) som är röda. Se tidigare sektioner i manualen för beskrivning av de individuella funktionerna.

POWER	Kopplar AV 711 mellan På och Stand-by.
SURROUND MODE	Kopplar mellan DOLBY PRO-LOGIC, HALL och BY-PASS lägena.
SLEEP	Står om AV 711 i insomnings-läge.
TAPE 1	Väljer Tape 1 som aktiv ingång.
TAPE 2	Väljer Tape 2 som aktiv ingång.
TUNER	Väljer Tuner som aktiv ingång.
PHONO	Väljer Phono som aktiv ingång.
CD	Väljer CD som aktiv ingång.
VIDEO 1	Väljer Video 1 som aktiv ingång.
VIDEO 2	Väljer Video 2 som aktiv ingång.
TUNER BANK	Väljer en snabbvalsbank.
PRESET	upp och ner väljer snabbval.

STYRFUNKTIONER FÖR NADS KASSETTDÄCK.

DÄCK A, DÄCK B	Om bara ett kassettdäck används skall "B" knapparna användas.)
◀	avspelning bakåt.
▶	avspelning framåt.
●/	inspelning och paus.
■	stopp.
◀◀	återspolning.
▶▶	snabbspolning.

STYRFUNKTIONER FÖR NADS CDSPELARE.

DISC	byter skiva. (För NADs CDväxlare.)
▶	avspelning.
	paus.
■	stopp.
◀◀	föregående spår.
▶▶	nästa spår
DELAY	för inställning av tidsfördröjning.
TEST	startar testproceduren för inställning av surroundsystem.
MUTE	stänger av ljudet.
CENTER VOLUME ▲ ▼	reglerar den relativa nivån i centerkanalen.
REAR VOLUME ▲ ▼	reglerar den relativa nivån i surroundkanalen.
VOLUME ▲ ▼	reglerar den totala ljudnivån.

BATTERIER

Batterifacket på baksidan av fjärrkontrollen rymmer två batterier av typ R6 (AA). Vi rekommenderar att du använder Alkaliska batterier för att de har den längsta livstiden och att de inte läcker. När du byter batterier så försäkra dig om att de sätts i åt rätt håll så som visas i botten på batterifacket.

APPENDIX

EN KORTFATTAD GUIDE TILL SURROUND LJUD.

Sedan mitten av sjuttioalet har de flesta filmer spelats in med en ljudteknik som kallas DOLBY STEREO. Tekniken bygger på att man kodar fyra ljudkanaler (Höger, Center, Vänster & Surround) så att de "göms" i två ljudkanaler. Systemet är kompatibelt med både vanlig stereo och mono. Det är lätt att överföra surroundljudet till hemmet då allt som behövs är en stereoljudkälla. Hemma versionen av DOLBY STEREO heter DOLBY SURROUND.

Idag har så gott som alla moderna filmer på Laserdisc, VHS (med stereoljud) och Video-CD surroundljud.

Dolby Surroundtekniken används idag även till musik, Tv-program och videospel.

Med AV 711 kan du utnyttja surroundljudet alla fördelar.

Till skillnad från sjuttioalets fyrkanalsystem som försökte placera ut ljud i alla olika riktningar, ger Dolby surroundtekniken en entydig ljudbild i frontkanalerna och bakhögtalarna bidrar med atmosfärskapande miljöljud. För bästa effekt skall ljudet från surroundhögtalarna inte riktas mot lyssnarna. Ett sätt att uppnå detta med en vanlig, liten högtalare är att rikta högtalarna så att ljudet reflekteras mot väggarna innan det når lyssnarna. Bästa sättet är att använda så kallade dipolhögtalare speciellt gjorda för surround. Experimentera med vilket sätt som ger den bästa lösningen hos dig.

HÖGTALARPLACERING

Placeringen av högtalarna i ett surroundsystem spelar en mycket viktig roll för den upplevda kvaliteten.

FRONTHÖGTALARNA.

Höger och vänster högtalarna skall stå på var sin sida om Tv-apparaten, lika långt ifrån på varje sida. Centerhögtalaren skall placeras på eller under Tvn så att dialogen hörs från samma ställe som bilden. De tre fronthögtalarnas diskant element bör befinna sig på ungefär samma höjd om det går. Om du väljer mellan en lågt eller högt placerad centerhögtalare, är en högt placerad att föredra, då golvet inte reflekterar ljudet lika mycket.

SURROUNDHÖGTALARNA.

Ljudet som kommer från surroundhögtalarna skall till skillnad mot ljudet från fronthögtalarna inte vara direkt riktat mot lyssningspositionen utan det skall vara diffust så att det inte går att riktningsbestämma. För att uppnå bästa resultat bör surroundhögtalarna monteras ovanför och bakom lyssningspositionen och de bör inte riktas mot lyssnarna. Man kan med fördel låta ljudet reflekteras mot tak eller sidoväggar för att få ett mer diffust ljud.

Prova dig fram till vilken placering som fungerar bäst i ditt rum.

SUBWOOFER.

En subwoofer spelar bara de allra lägsta frekvenserna av ljudet. Låga frekvenser är svåra att riktningsbestämma och en subwoofer kan därför placeras ganska fritt i ett rum.

En placering i hörn ger en (o)önskad bashöjning.

VARFÖR SKALL MAN HA EN CENTERHÖGTALARE?

En DOLBY PRO-LOGIC dekoder lämnar tre separata kanaler för frontkanalerna: Höger, Center & Vänster. På de flesta ljudspåren fördelas ljudeffekter och musik jämnt över de tre kanalerna men dialogen återges oftast uteslutande genom centerkanalen.

Genom att använda en separat högtalare för centerkanalen kan dialogen återges utan att störas av effektljud och musik. En annan fördel är att stereoljudbilden stabiliseras så att även personer som sitter snett i förhållande till bilden får dialogen ifrån samma plats som bilden.

Om AV 711 används med bara två fronthögtalare skall centerkanalomkopplaren stå i läge PHANTOM, då delas centerkanalens ljud upp lika i höger och vänster kanal.

Det är mycket viktigt att frontkanalerna har samma klang så att ljudet inte förvrängs när det panoreras mellan höger och vänster kanal. Idealet är att använda tre likadana högtalare till frontkanalerna, men det är inte praktiskt i de flesta bostadsrum. De flesta högtalartillverkare har speciella centerhögtalare på programmet som matchar deras vanliga stereohögtalare klangmässigt.

OBSERVERA ! En högtalare som placeras nära en Tv-apparat måste vara magnetiskt skärmd för att inte bilden skall förvrängas. Kontrollera med Hi-Fi Klubben om du är osäker på om dina högtalare är skärmda.

VARFÖR SKALL MAN HA EN SUBWOOFER?

Många filmer har lagt stor vikt vid lågfrekventa ljud-effekter vilka kan vara svåra för vanliga hifihögtalare att reproducera. För att återge dessa låga frekvenser så verklighetstroget som möjligt, kan man använda en speciell högtalare (ofta med egen förstärkare), en så kallad subwoofer. De låga frekvenserna är svåra att riktningsbestämma och en subwoofer kan därför placeras ganska fritt i rummet. Normalt klarar man sig med en subwoofer men två är oftast bättre då ljudet sprids jämnare i rummet. En subwoofer ansluts enklast till SUBWOOFER-utgången på AV 711, som är gjord för att driva aktiva subwoofers

FASNING AV HÖGTALARNA.

I en surroundanläggning är det viktigt att de tre front högtalarna är inkopplade med korrekt (samma) fas i förhållande till varandra. Om någon högtalare skulle vara kopplad ur fas så blir stereobilden diffus och basen försvinner. Om du använder fronthögtalare av samma märke är det enkelt att kolla fasningen. Kontrollera att pluspolerna (de röda) på förstärkarens utgångsterminaler är kopplade till högtalarterminalernas (röda) pluspoler. Om du har högtalare av blandade fabrikat så är det inte ovanligt att någon enhet vänder på fasen internt. Då måste man avgöra uppkopplingen genom att lyssna.

För att avgöra fasningen med hörseln, ställ AV 711 i Dolby Pro Logicläge med MUTE OFF och välj en FMstation. Detta skall ge samma ljud genom alla tre fronthögtalarna. Koppla bort surround- och högerhögtalare. Nu skall man kunna höra en stabil ljudbild som tycks komma från en punkt mitt emellan vänster- och centerhögtalaren. Om ljudet är diffust och inte tycks komma från någon entydig punkt i rummet, vänd på plus och minuspol på centerhögtalaren. Nu skall ljudet komma från en punkt mitt emellan center- och vänsterhögtalare.

Koppla in högerhögtalare igen och gör om proceduren med vänsterhögtalare urkopplad. Om det nu behöver göras någon ändring är det högerhögtalaren som skall kopplas om.

Surroundhögtalarna är i fas med varandra om de kopplats in korrekt.

Det finns ingen regel som avgör hur den relativa fasen mellan fronthögtalarna och surroundhögtalarna



och en eventuell subwoofer skall vara. Inkoppling av dessa med förstärkarens pluspol kopplad till högtalarens pluspol ger korrekt fas. Men i vissa fall kan det bli ett bättre resultat om man kopplar tvärt om, experimentera själv och se vad det kan ge.

SYSTEMEXEMPEL

Din AV 711 kan användas som hjärtat i många olika varianter av surroundsystem. Här är två exempel, en enkel uppställning och en mera avancerad.

ETT ENKELT SURROUNDSYSTEM MED AV 711

Det här systemet använder AV 711 med en stereovideo, skivspelare, CD, kassettdäck och en TV, stereo Fronthögtalare och Surroundhögtalare. Skivspelaren, CDn och kassettdäcket kopplas till CD och TAPE 1 (in & ut). Stereovideon kopplas till VIDEO 1 då videon bara kommer att spela in program från sin egen, inbyggda mottagare. TVns videoingång kopplas till MONITOR.

Eftersom systemet inte har någon centerkanal skall CENTER kopplas i PHANTOM läge.

ETT LITE MER AVANCERAT SYSTEM

Den här uppställningen använder AV 711 i ett sofistikerat surroundsystem. Förutom de vanliga stereooljudkällorna ingår det även en stereovideo, en laserdiscspelare och ett TVspel med stereoljud inkopplade som A/V källor. MONO utgången är kopplad till en aktivsubwoofer.

AV 711 är också kopplad till en anläggning i ett angränsande rum. Skivspelaren, CDn och Kassettdäcket kopplas till CD och TAPE 1 (in & ut). Laserdiscspelaren eller TVspelet, som bara behöver en avspelningsingång, kopplas till VIDEO 1 audio- och videoingångar.

Stereovideon kopplas till VIDEO 2 som har både audio/video in- och utgångar så att andra videokällor kan spelas in.

TAPE 2 utgången kopplas till AUX ingången på anläggningen i det angränsande rummet (med en högkvalitets signalkabel) i ett annat rum, vilken använder förstärkarens NAD-LINK att skicka fjärrkontrollkommandon tillbaka till AV 711.

TVns videoingång är kopplad till MONITOR-utgången på AV 711.

FELSÖKNING

SYMPTOM

ORSAK

Inget ljud	Nätsladden ej isatt i vägguttag eller strömmen är ej påslagen. <i>Kontrollera nätsladden, slå på apparaten.</i> TAPÉ MONITOR aktiv. <i>Slå av Monitorläget.</i> Högtalarna ej påslagna/anslutna. <i>Kontrollera högtalarna.</i> MUTEfunktionen påslagen. <i>Slå av MUTEfunktionen.</i> En säkring har gått i apparaten. <i>Vänd dig till Hi-Fi Klubben.</i>
Inget ljud i ena kanalen	Balanskontrollen står inte i mitten. <i>Vrid balanskontrollen till mittläget.</i> En högtalare är ej korrekt ansluten. <i>Kontrollera högtalaranslutningarna.</i> Signalkablar ej anslutna eller skadade. <i>Kontrollera signalkablarna.</i>
DOLBY PRO LOGIC och RYMDKLANGLÄGENA fungerar ej.	Högtalarpar B inkopplade. <i>Koppla om till högtalarpar A.</i>
Inget ljud i SURROUND kanalen.	Något surroundprogram ej inkopplat. <i>Koppla in Dolby Pro Logic eller HALL.</i> Ljudkällan är i mono. <i>Testa anläggningen med känt Dolby Surround material.</i> Högtalarna är inte korrekt anslutna. <i>Kontrollera högtalaranslutningarna.</i> Surroundkanalens nivå för låg. <i>Höj nivån i surroundkanalen.</i>
Inget ljud i CENTERHÖGTALAREN	PHANTOM läget inställt. <i>Ställ in Normal eller Wide läge.</i> By-pass läget inkopplat. <i>Slå över i DOLBY PRO-LOGIC läge.</i> Nivån i centerkanalen för låg. <i>Höj nivån i centerkanalen.</i>
Svag bas / diffus stereobild	Någon högtalare kopplad ur fas. <i>Kontrollera högtalaranslutningarna.</i>
Testsignalens läge matchar ej indikatorn på frontpanelen	Högtalarna anslutna till fel utgångar. <i>Kontrollera alla anslutningar till högtalarna.</i>
Fjärrkontrollen fungerar inte	Batterierna slut eller felaktigt isatta. <i>Kontrollera eller byt batterier.</i> Fjärrkontrollens sändare eller mottagaren på AV 711 är skymda. <i>Flytta hindret.</i>
Radio störningar	Brus, svag signal. <i>Kontrollera signalstyrkeindikatorn, inställningen, antennen.</i> Distortion- Multipath störningar. <i>Kontrollera inställningen och antennen.</i> Vissel och skrapljud på FM & AM, Störningar från annan utrustning. <i>Kontrollera inställningen och slå av störande utrustning.</i> Vissel och skrapljud på AM, Störningar från lysrör och motorer. <i>Kontrollera inställningen och antennen.</i>

RECEPTOR DE SOM ENVOLVENTE

NAD AV 711

OBSERVAÇÕES SOBRE A INSTALAÇÃO

O seu AV 711 deverá ser instalado numa superfície firme e nivelada. Evite instalar esta unidade numa zona em que a luz do sol incida directamente, na proximidade de fontes de calor ou de humidade ou em locais pouco ventilados.

Antes de proceder a quaisquer ligações, ligue a unidade em 'standby', para ficar pronta a entrar em funcionamento. Para uma maior facilidade, as fichas para gira-discos no seu AV 711 estão codificadas por cores. O vermelho e o branco correspondem à ligação audio Direita e Esquerda, o amarelo à (linha de) vídeo composto e o laranja à ligação ao NAD (NAD-Link).

Utilize cabos e conectores da mais alta qualidade para garantir o melhor desempenho do sistema e as ligações mais seguras. Apesar de ser aconselhável utilizar, sempre que possível, cabos de vídeo próprios, os condutores audio do gira-discos funcionarão igualmente bem para os sinais do vídeo. Certifique-se de que os cabos e os conectores não estão de algum modo danificados e de que todos os conectores estão bem fixados.

Para um melhor desempenho do sistema, utilize cabos de qualidade para os altifalantes com, pelo menos, 16 de espessura ou mais.

Caso a unidade não seja utilizada durante algum tempo, desligue a ficha da tomada CA.

Caso seja derramado água no seu AV 711, corte imediatamente a alimentação da unidade e retire a ficha da tomada CA. Antes de tentar utilizá-la de novo, a unidade deve ser examinada por um técnico especializado de manutenção.

Não retire a caixa pois a unidade não contém no seu interior peças que possam ser aproveitadas.

Use um pano macio e seco para limpar a unidade. Caso seja necessário, humedeça ligeiramente o pano em água com sabão. Não utilize soluções que contenham benzol ou outros agentes voláteis.

LIGAÇÕES DO PAINEL TRASEIRO

1. CD INPUT (ENTRADA DO CD)

Esta é a entrada para o leitor de Discos Compactos (sinal audio analógico) ou para outra fonte de sinais de linha de nível. Utilize um cabo de dois condutores fono-a-fono para ligar as saídas 'Audio Outputs' esquerda e direita do leitor de Discos Compactos a esta entrada.

2. AUX INPUT

Selecciona o componente de audio auxiliar como entrada activa.

3. TAPE 1 (GRAVADOR 1)

Estas são as ligações para a gravação e reprodução analógica num qualquer gravador audio, como de cassetes, bobinas, DAT, MD ou DCC. Para a reprodução, utilizando cabos de dois condutores fono-a-fono, ligue as saídas 'Audio Output' esquerda e direita do gravador aos conectores TAPE 1 IN Para

a gravação, ligue as entradas 'Audio Input' esquerda e direita do gravador aos conectores TAPE 1 OUT.

4. TAPE 2 (GRAVADOR 2)

Estas são as ligações para a gravação e reprodução analógica num segundo gravador audio de qualquer tipo. Para a reprodução, utilizando cabos de dois condutores fono-a-fono, ligue as saídas 'Audio Output' esquerda e direita do gravador aos conectores TAPE 2 IN. Para a gravação, ligue as entradas 'Audio Input' esquerda e direita do gravador aos conectores TAPE 2 OUT.

5. VÍDEO 1 (VIDEO)

As entradas para a reprodução audio de um videogravador ou de um outro aparelho de vídeo como uma TV estereofónica, um receptor de parabólica ou de TV por cabo ou um Disco Laser. Utilizando cabos de dois condutores fono-a-fono, ligue as saídas 'Audio Out' esquerda e direita do Videogravador/TV/DL/receptor de parabólica a estas entradas. Estas entradas audio são utilizadas em combinação com as entradas (de linha) de vídeo composto marcadas VÍDEO 1. O VÍDEO 1 é apenas utilizado para reprodução; caso queira ligar um videogravador para gravação e reprodução através do AV 711, use o VCR 2.

6. VÍDEO 2 (VIDEO)

Estas são as ligações a um videogravador ou a um outro gravador de vídeo para gravação e reprodução audio. Para a reprodução, utilizando cabos de dois condutores fono-a-fono, ligue as saídas 'Audio Out' esquerda e direita do videogravador aos conectores VÍDEO 2 IN. Para a gravação, ligue as entradas 'Audio In' esquerda e direita do videogravador aos conectores VÍDEO 2 OUT. Estas entradas audio são utilizadas em combinação com as entradas (de linha) de vídeo composto marcadas VÍDEO 2 IN e com as saídas de vídeo marcadas VÍDEO 2 OUT.

7. SUBWOOFER (SAÍDA SUBWOOFER)

Esta é uma saída adicional para a ligação a um sistema de altifalantes de sub-graves com o seu próprio amplificador de energia.

Esta tomada proporciona um sinal monofónico não-filtrado, sendo activada sempre que seleccionar SPEAKERS no painel dianteiro.

8. AM ANTENNA (ANTENA DE AM)

O seu AV 711 está equipado com uma antena de quadro AM, necessária para a recepção de AM. Abra a alavanca do terminal de ligação e insira o arame da antena. Ao fechar a alavanca, o arame ficará bem seguro no lugar (Fig. 2).

Se o seu aparelho AV 711 for um modelo dos Estados Unidos da América ou canadiano, coloque o fio enquanto empurra para baixo a alavanca. Solte a alavanca para trancar o fio no seu lugar.

Experimente colocar a antena em diversas posições, certificando-se sempre de que o quadro fica disposto na vertical de modo a garantir a melhor recepção. Colocar a antena próxima de artigos de metal volumosos, como prateleiras de metal ou radi-

adores, pode causar uma certa interferência na recepção.

9. FM ANTENNA (ANTENA DE FM)

O seu AV 711 inclui uma antena filiforme FM, que deverá ser ligada ao conector FM na parte de trás da unidade, (Fig. 1). A antena filiforme deverá ser montada numa superfície vertical e colocada de modo a formar um 'T'.

Experimente colocar a antena em diversos pontos de modo a descobrir a posição que oferece a maior intensidade de sinal e o menor ruído de fundo. Regra geral, um sinal de FM inadequado tem como resultado elevados níveis de zumbido, sobretudo em estereofonia, e interferência de fontes eléctricas externas. Em zonas com uma fraca recepção de FM, é possível melhorar o desempenho do sintonizador utilizando uma antena de FM instalada no exterior. Um técnico especializado em instalação de antenas será capaz de lhe aconselhar e montar uma antena apropriada para as suas condições de recepção.

10. SOFT CLIPPING (REDUÇÃO SUAVE)

Quando um amplificador é activado para além da potência de saída máxima registada nas especificações, é possível ouvir um ruído bastante distorcido sempre que o volume estiver muito alto. Isto é causado pelo facto de o amplificador suprimir ou "cortar de forma áspera" os picos do som que não foi concebido para reproduzir. O circuito de Redução Suave NAD limita ligeiramente a saída do sistema de forma a minimizar alguma distorção audível sempre que o amplificador for sobreactivado.

Caso a sua audição envolva níveis de potência moderados, deixe desligado o circuito de Redução Suave. Caso seja provável ouvir o sistema a níveis de som elevados, que excedam a capacidade de potência do amplificador, ligue o circuito de Redução Suave.

11. VÍDEO 1

Esta é a ligação para a entrada do sinal de vídeo de linha (composto) para o VÍDEO 1. Utilizando um condutor para gira-discos, ligue a saída 'Vídeo Out' do vídeogravador, da TV, do Disco Laser ou da unidade parabólica/TV por cabo. O VÍDEO 1 só pode ser utilizado para a reprodução de vídeo. Utilize o VÍDEO 2 quando quiser ligar um vídeogravador para gravar e reproduzir através do AV 711.

12. VÍDEO 2

Esta é a ligação para a entrada do sinal de vídeo de linha (composto) para o VÍDEO 2. Para a reprodução, utilizando um condutor para gira-discos, ligue a saída 'Vídeo Out' do vídeogravador à entrada VÍDEO 2 IN. Para copiar sinais de vídeo provenientes do VÍDEO 1, ligue o VÍDEO OUT à entrada 'Vídeo In' do vídeogravador.

13. MONITOR VÍDEO OUTPUT (SAÍDA DO MONITOR E VÍDEO)

Esta é a saída (de linha) de vídeo composto para ligar uma TV ou Monitor de Vídeo de forma a ver as fontes de vídeo ligadas a VÍDEO 1 ou VÍDEO 2.

Utilizando um condutor para gira-discos, ligue a entrada 'Vídeo Line In' na TV ou monitor à saída MONITOR VÍDEO OUTPUT. Caso seja necessário, é possível ainda utilizar esta saída como uma saída de gravação adicional. Nesse caso, a monitorização do vídeo tem de ser levada a cabo por meio da saída do vídeo gravador.

14. FRONT SPEAKERS A (ALTIFALANTES DIANTEIROS A)

A tecla SPEAKERS no painel dianteiro liga e desliga estas saídas dos altifalantes.

Ligue o altifalante direito aos terminais marcados com 'R +' e 'R -', certificando-se de que o 'R +' está ligado ao terminal '+' no seu altifalante e de que o 'R -' está ligado ao terminal '-' do altifalante. Do mesmo modo, ligue os terminais marcados com 'L +' e 'L -' ao altifalante esquerdo.

Utilize sempre um cabo torcido de alta tensão (de 16 de espessura ou mais) para ligar os altifalantes ao seu AV 711.

Desaparafuse o casquilho de plástico do terminal do altifalante até aparecer o orifício no veio do parafuso. Insira o pino ou a extremidade do fio nu no orifício e prenda o cabo apertando o casquilho do terminal (Fig. 3).

Para evitar o perigo de fios nus dos cabos dos altifalantes tocarem no painel traseiro ou num outro conector, certifique-se de que o cabo nu ou pino tem apenas 1,27 cm e de que não existem filamentos soltos do arame do altifalante.

PRECAUÇÃO: Esta unidade é concebida para produzir uma qualidade óptima de som quando os altifalantes com impedância dentro das gamas reguladas estejam ligados. Queira verificar as informações seguintes e seleccione altifalantes com as impedâncias necessárias para as ligações.

ALTIFALANTES DA FRENTE: 4 ohms mínimo por altifalante

ALTIFALANTE DO CENTRO: 8 ohms mínimo

ALTIFALANTES TRASEIROS: 4 ohms mínimo por altifalante

15. CENTER SPEAKER (ALTIFALANTE CENTRAL)

Liga o altifalante central que é utilizado quando o AV 711 funciona no modo Dolby Pro Logic. Ligue o 'Centre +' ao terminal '+' no seu altifalante central e o 'Centre -' ao terminal '-' do altifalante.

Retire 8 mm de material isolador da extremidade do cabo do altifalante e torça os fios nus de modo a não ficarem filamentos soltos. Abra a alavanca do terminal de ligação e insira o arame. Ao fechar a alavanca, o arame ficará bem seguro no lugar. Este altifalante funciona em conjunto com os altifalantes da frente e é ligado e desligado usando o botão SPEAKERS (ALTIFALANTES) no painel dianteiro.

16. REAR SPEAKERS (ALTIFALANTES TRASEIROS)

Liga os altifalantes traseiros que são utilizados quando o AV 711 funciona no modo Dolby Pro Logic ou Hall. Ligue o altifalante traseiro direito aos



terminais marcados com 'R +' e 'R -', certificando-se de que o 'R +' está ligado ao terminal '+' no seu altifalante e de que o 'R-' está ligado ao terminal '-' do altifalante. Do mesmo modo, ligue os terminais marcados com 'L +' e 'L -' ao altifalante esquerdo. Retire 8 mm de material isolador da extremidade do cabo do altifalante e torça os fios nus de modo a não ficarem filamentos soltos. Empurre para baixo a alavanca do terminal do grampo e coloque o fio. Ao soltar a alavanca o fio será trancado no lugar devido.

Estes altifalantes funcionam em combinação com os Altifalantes Dianteiros, sendo ligados e desligados pela tecla SPEAKERS no painel dianteiro.

* Fabricado sob licença da Dolby Laboratories Licensing Corporation. "Dolby" o símbolo do D duplo "D" e "Pro Logic" são marcas registadas da Dolby Laboratories Licensing Corporation.

17. NAD-LINK IN OUT (SAÍDA E ENTRADA LIGAÇÃO-NAD)

O conector NAD-Link é utilizado para transmitir ordens do telecomando para e de outras unidades equipadas com conectores NAD-Link. Isto permite o controlo centralizado de todo o sistema ou o controlo do sistema a partir de mais de uma sala. Para trabalhar com outras unidades, ligue a saída NAD-Link OUT do AV 711 à entrada NAD-Link IN na outra unidade. Os conectores NAD-Link podem ser encadeados, de IN para OUT, de forma a que todo um sistema possa ser controlado a partir dos controlos do telecomando de uma unidade

Uma única ligação NAD-Link de um sistema de alta-fidelidade numa segunda sala permitirá o controlo remoto dos sistemas Multi-Salas.

18. SAÍDAS CA (APENAS NAS VERSÕES CANADA E AMERICANA)

É possível ligar directamente os cabos de alimentação CA de outras unidades no sistema audio às saídas CA ligadas do seu AV 711.

Se outro componente de estereofonia for encaixado na saída CA NÃO COMUTADA, a energia será fornecida quer o seu AV711 esteja ligado quer desligado.

As saídas CA não comutadas devem ser usadas com unidades com um consumo de energia combinado não superior a 120 watts.

19. AC POWER CORD CONNECTOR (CONECTOR DO CABO DE ALIMENTAÇÃO CA)

Após ter efectuado todas as ligações ao amplificador, ligue o cabo CA a uma tomada de parede "viva" ou a um cabo de extensão de alta tensão que possa ser ligado a uma tomada de parede.

COMANDOS DO PAINEL DIANTEIRO POTÊNCIA E FUNÇÕES DOS ALTIFALANTES E AUSCULTADORES

1. POWER (POTÊNCIA)

Carregue neste botão para ligar a unidade. Para desligar a unidade, volte a carregar no botão.

2. SPEAKERS (ALTIFALANTES)

O botão SPEAKERS (ALTIFALANTES) liga ou desliga os altifalantes ligados aos terminais dos altifalantes da FRENTE, CENTRAL E TRASEIROS. Quando os altifalantes estiverem ligados, o indicador SPEAKERS (ALTIFALANTES) acende-se.

3. STANDBY (RESERVA)

O indicador verde de 'standby' indica que o seu AV 711 está ligado à corrente mas que, naquele momento, o sistema está desligado. Ao carregar no interruptor 'power' (potência), a unidade é ligada e passa a ser fornecida energia às saídas AC ligadas. O mostrador indica os níveis de corrente do AV 711.

Ao carregar mais uma vez no interruptor 'power', o seu AV 711 passará de novo para o modo de 'standby', isto é, pronto para entrar em funcionamento. Em 'standby', o AV 711 armazena a entrada de corrente e os modos de funcionamento numa memória não-volátil, tornando a seleccionar estes modos quando for de novo ligado. O AV 711 utiliza ainda a memória não-volátil para armazenar informações pré-programadas, tanto para a instalação do sintonizador como do modo Dolby Pro Logic, de forma a que estas informações não se percam sempre que a unidade for desligada e ficar em 'standby' ou sempre que o fornecimento de corrente CA for cortado (durante duas semanas pois, após esse prazo, a Memória perde-se). Durante o funcionamento normal, o indicador de 'standby' acenderá sempre que o sistema receber um sinal do Telecomando.

PRECAUÇÃO: Quando estiver em reserva, a energia continua a ser fornecida ao AV 711. Desligue o AV 711 da tomada CA quando este não estiver a ser usado durante períodos de tempo prolongados.

4. HEADPHONE SOCKET (TOMADA DOS AUSCULTADORES)

Para a audição dos auscultadores, tem à sua disposição uma tomada "jack" estereofónica de 1/4" polegadas. A tomada tem o seu próprio amplificador, que activará auscultadores convencionais de qualquer impedância. Vai buscar o seu sinal aos canais dianteiros esquerdo e direito e funciona com todas as entradas, apesar de qualquer modo perimétrico ser ouvido como se de dois canais estereofónicos se tratasse. Os comandos do volume, tom e balanço funcionam na audição dos auscultadores. Utilize um cabo de extensão adequado para ligar os auscultadores a outros tipos de conectores, como as tomadas "jack" estereofónicas de 3,5 mm. Atenção: Ouvir o som a níveis muito altos pode causar danos no aparelho auditivo.

FUNÇÕES DE VOLUME, BALANÇO E TOM

5. VOLUME

O controlo VOLUME ajusta a sonoridade global dos sinais que alimentam os altifalantes. O controlo VOLUME não afecta as gravações que utilizam as saídas de linha Tape (Gravador) ou Vídeo (Vídeo).

6. BASS & TREBLE (CONTROLOS DOS GRAVES & AGUDOS)

O AV 711 está equipado com comandos tonais dos GRAVES e AGUDOS que ajustam a tonalidade global do seu sistema.

A posição das 12 horas é 'plana', sem nenhum aumento ou corte; um detentor indica esta posição. Para aumentar a quantidade de Graves ou Agudos, rode o comando no sentido dos ponteiros do relógio. Para diminuir a quantidade de Graves ou Agudos, rode o comando no sentido contrário. Estes comandos afectam apenas os altifalantes dianteiros Esquerdo e Direito. Nos modos Pro Logic ou Hall, os altifalantes Central e Perimétricos mantêm uma resposta 'plana', independentemente dos ajustes do comando tonal. Os comandos Tonais (Tone) não afectam as gravações que utilizam as saídas de linha Tape (Gravador) ou Vídeo (Vídeo).

7. BALANCE (BALANÇO)

O comando BALANCE ajusta os níveis relativos dos altifalantes dianteiros Esquerdo e Direito. A posição das 12 horas, indicada por um detentor, oferece um nível igual para os canais Esquerdo e Direito.

Ao rodar o comando no sentido dos ponteiros do relógio, o balanço passa para a direita. Ao rodar o comando no sentido contrário, o balanço passa para a esquerda. O comando BALANCE não afecta as gravações que utilizam as saídas de linha Tape (Gravador) ou VCR (Videogravador).

8. TONE DEFEAT (INTERRUPTOR 'TONE DEFEAT')

O interruptor TONE DEFEAT desliga a secção de controlo tonal do seu AV 711. Caso os Comandos Tonais não sejam utilizados com frequência, sendo sempre deixados na posição das 12 horas, é aconselhável desligar toda a secção de Controlo Tonal utilizando este interruptor. Na posição 'out', os circuitos do Controlo Tonal estão activados; premindo o interruptor TONE DEFEAT, a secção de Controlo Tonal passa a estar desligada. O Mostrador indica quando o Tone Defeat está ligado.

ENTRADA E SELECTORES DE MONITOR

9. VÍDEO 1, VÍDEO 2, TAPE 1, TAPE 2, MONITOR, FM, AM, PHONO, CD

Estas teclas seleccionam a entrada activa para o AV 711 e o sinal enviado para os altifalantes bem como as saídas Tape, Vídeo 2 e TV monitor.

O nome da Entrada e do Modo Perimétrico serão indicados no Mostrador.

VÍDEO 1: Selecciona como entrada activa o sinal da TV estereofónica/receptor da Parabólica/receptor

da TV por Cabo ou Disco Laser ligado ao VÍDEO 1.

VÍDEO 2: Selecciona como entrada activa o VCR ligado ao VÍDEO 2. A designação Vídeo 1 ou 2 surgirá no Mostrador quando estes forem seleccionados.

TAPE 1: Selecciona Tape 1 como a entrada activa.

TAPE 2 MONITOR: Selecciona o sinal proveniente da saída Tape 2 do gravador. O TAPE 2 MONITOR insere directamente o sinal nos principais amplificadores do AV 711, não sobreactivando a selecção de entrada de corrente. Se, ao seleccionar o TAPE MONITOR, o CD for a entrada activa, o sinal do CD continuará a ser enviado para as saídas de gravação de TAPE 1, TAPE 2 e VÍDEO 2, enquanto o sinal do Tape 2 será ouvido nos altifalantes e auscultadores. A designação T-2 Monitor surgirá no Mostrador quando o TAPE 2 MONITOR for seleccionado.

FM: Selecciona rádio em FM. Esta é também automaticamente seleccionada sempre que seleccionar um Pré-programa em FM.

AM: Selecciona rádio em AM. Esta é também automaticamente seleccionada sempre que seleccionar um Pré-programa em AM.

AUX: Selecciona o componente de audio auxiliar como entrada activa.

CD: Selecciona o CD como a entrada activa.

FUNÇÕES PERIMÉTRICO (SURROUND)

10. SURROUND (PERIMÉTRICO)

A tecla SURROUND selecciona o modo perimétrico do AV 711. Ao carregar na tecla SURROUND, terá à sua disposição três modos: DOLBY Pro Logic, HALL, DOLBY 3 STEREO e BY-PASS (Estereofonia normal)

O modo DOLBY Pro Logic e DOLBY 3 STEREO descodifica os sinais de som perimétrico codificados em bandas sonoras de filmes de vídeo ou da TV. Para descodificar correctamente, o sinal do vídeo ou da TV terá de fazer parte de uma banda sonora em Dolby Surround ou Dolby Stereo e terá de provir de um videogravador, TV ou receptor de parabólica/TV por cabo, todos eles estereofónicos.

O modo HALL produz um efeito de som perimétrico a partir de uma fonte estereofónica normal, como um CD ou uma rádio em FM.

O modo BY-PASS regula o sistema para o funcionamento Estereofónico normal.

O modo seleccionado aparece indicado na zona principal do Mostrador durante 3 segundos, sendo continuamente mostrado na zona do Modo Perimétrico do Mostrador. O AV 711 apresenta ainda uma função suplementar bastante útil: a memorização do modo perimétrico utilizado com uma dada entrada seleccionada. Ao seleccionar de novo essa entrada, o seu AV 711 chamará de novo automática-

mente o mesmo modo Perimétrico. Se, habitualmente, utilizar o modoS Dolby Pro Logic, Dolby 3 Stereo nas entradas Vídeo 1 e Vídeo 2, o modo Hall em FM, e o modo By-Pass (Estereofónico) nas outras, ao carregar no Input Selector (Selector de Entrada), chamará automaticamente o modo Perimétrico correcto, não tendo necessidade de premir em separado a tecla Surround Mode (Modo Perimétrico).

10. CENTER (CENTRAL)

Selecciona o tipo de altifalante central utilizado no sistema de altifalantes principais (ALTIFALANTES A). Ao carregar na tecla CENTER, terá à sua disposição três opções: NORMAL, PHANTOM e WIDEBAND. Para Dolby Pro Logic use NORMAL, BANDA LARGA, FANTASMA e para estereofonia Dolby 3 use NORMAL, BANDA LARGA

O modo NORMAL é utilizado quando o altifalante central é mais pequeno do que os altifalantes dianteiros esquerdo e direito. Este modo produz uma verdadeira imagem central, sendo as frequências muito baixas (abaixo de 70 HZ) filtradas.

O modo WIDEBAND (BANDA LARGA) é utilizado quando o altifalante central é do mesmo tipo dos altifalantes dianteiros esquerdo e direito. Este modo produz uma verdadeira imagem central, com uma gama de frequência total e sem filtração de frequências baixas.

O modo PHANTOM (FANTASMA) é utilizado quando não existe um altifalante central. O AV 711 distribui a mesma quantidade de informações centrais pelos altifalantes dianteiros esquerdo e direito de forma a produzir uma imagem sonora central 'Fantasma'.

O modo Center seleccionado surge indicado na zona principal do Mostrador durante 3 segundos. Fica guardado na memória do AV 711, sendo automaticamente chamado sempre que a unidade for ligada. Esta função só pode ser alterada quando o AV 711 estiver no modo DOLBY PRO-LOGIC o DOLBY 3 STEREO.

12. DELAY (RETARDAMENTO)

Selecciona a quantidade de retardamento aplicado nos altifalantes perimétricos sempre que o AV 711 é utilizado nos modos DOLBY PRO-LOGIC ou HALL.

Ao carregar na tecla DELAY, os tempos de Retardamento são escalonados em intervalos de 5 ms: dos 5 ms aos 30 ms para o modo Hall e dos 15 ms aos 30 ms para o modo Dolby Pro Logic Mode. É possível armazenar na memória do seu AV 711 os tempos de retardamento para os modos DOLBY PRO-LOGIC e HALL. Deste modo, são automaticamente chamados sempre que seleccionar o modo DOLBY PRO-LOGIC ou HALL. Esta função só pode ser alterada quando o AV 711 estiver no modo DOLBY PRO-LOGIC ou HALL. (ver: COMO INSTALAR O SISTEMA PERIMÉTRICO)

SINTONIZADOR.

9. AM AND FM INPUT (ENTRADA DE AM E FM)

Carregue na tecla AM ou FM para regular o AV 711 para a necessária operação de sintonia. O

Mostrador indicará a frequência da estação sintonizada e o Pré-programa e banco Pré-programado seleccionados (caso exista algum).

13. TUNE ▲ ▼ (SINTONIA ▲ ▼)

Para sintonizar a estação pretendida e seleccionar estações Pré-programadas. Existem dois tipos de sintonia: Manual e Automática. Ao carregar na tecla repetidamente, aumentará ou diminuirá a frequência de sintonização em intervalos de 50 kHz, em FM, e em intervalos de 10 kHz (ou 9 kHz para a Europa), em AM.

Search (Busca). Ao manter a tecla premida durante mais de 1/2 segundo, o sintonizador passa para o modo Search. Este irá procurar estações através das frequências sintonizadas e parar sempre que encontrar uma estação emissora. Quando a estação for capturada, a indicação TUNED (SINTONIZADA) surgirá no Mostrador. As funções de busca automática só funcionam em FM.

14. PRESET (PRÉ-PROGRAMAR)

Prima PRESET para chamar ou programar uma estação de rádio pré-programada. Os 30 Pré-programas podem ser estações em AM ou FM que ficam gravadas em três Bancos Pré-programados. Estes podem chegar a incluir 10 estações Pré-programadas. O número do Pré-programa surge indicado no Mostrador.

15. BANK (BANCO)

Prima BANK para seleccionar entre os três bancos (A, B ou C) de pré-programas do sintonizador. Para maior comodidade, poderá usar dois Bancos para as estações em FM e um Banco para AM, apesar de ser possível memorizar uma combinação de estações em FM e em AM num único Banco de pré-programas. O Banco seleccionado surge indicado no Mostrador.

16. MEMORY (MEMÓRIA)

Utilizada para armazenar novas estações Pré-programadas.

17. FM MUTE/MODE

Regula o sintonizador em FM para o modo de funcionamento Mute On/Stereo (Silenciamento Ligado/Estéreo) ou Mute Off/Mono (Silenciamento Desligado/Mono). No modo de funcionamento normal (FM MUTE ON), durante o processo de sintonização, o sintonizador ficará silencioso quando houver poucos ou nenhum sinal, mantendo-se no assim até encontrar uma estação com um sinal relativamente forte. Prima FM MUTE/MODE para desligar a função Mute de forma a ser possível localizar estações de sinal muito fraco. A tecla FM MUTE OFF desliga igualmente a função estereofónica do FM.

Sempre que receber um sinal FM estereofónico, o seu AV 711 ligará automaticamente para o modo de funcionamento em FM estereofónico, que será indicado pela designação STEREO no Mostrador. Os sinais estereofónicos fracos podem ter um nível elevado de zumbido de fundo. Ao regular o AV 711 para FM MUTE OFF, regulará o sintonizador para a

monofonia e eliminará o ruído de fundo.

O estatuto da função FM MUTE é indicado no Mostrador.

COMO DESCOBRIR E MEMORIZAR ESTAÇÕES EM AM & FM

Utilize a sintonia Manual (Manual) para seleccionar a frequência já conhecida de uma estação ou o modo Search (Busca) para procurar automaticamente as estações que são transmitidas na sua área. De seguida, utilize a tecla MEMORY para armazená-las na memória do AV 711. Comece por seleccionar a banda AM ou FM, carregando nas teclas de Entrada AM ou FM (AM ou FM Input). Mantenha as teclas TUNE ▲ ou ▼ premidas durante 1/2 segundo para iniciar a busca do sintonizador através da banda de frequência. Sempre que o sintonizador encontrar um sinal emissor de intensidade adequada, a busca automática parará naquela estação. Para guardar essa estação como um Pré-programa, prima a tecla MEMORY. As luzes do indicador das teclas MEMORY e PRESET e do número do pré-programa piscarão durante 8 segundos ou enquanto estiver a introduzir informações Pré-programadas.

Prima a tecla BANK para seleccionar o Banco de Pré-programas em que deseja guardar a estação. Prima as teclas TUNE ▲ ou ▼ para seleccionar o número de Pré-programa que deseja atribuir à estação. O Mostrador indicará o número actual do Pré-Programa. Prima de novo a tecla MEMORY para guardar a frequência da estação como o Pré-programa escolhido. De seguida, o seu AV 711 passará para o modo de funcionamento normal.

Enquanto não “limpar” o Pré-programa, as informações Pré-programadas ficarão armazenadas na memória do AV 711.

COMO CHAMAR ESTAÇÕES PRÉ-PROGRAMADAS.

Para chamar qualquer uma das estações pré-programadas, prima a tecla PRESET. O Indicador desta tecla acender-se-á e o último pré-programa sintonizado a ser utilizado será chamado. Para seleccionar uma outra estação Pré-programada, comece por seleccionar o Banco onde a estação se encontra guardada premindo a tecla BANK. De seguida, prima a tecla PRESET. Prima a tecla TUNE ▲ ou ▼ para passar em revista os números disponíveis, até surgir no Mostrador o número do Pré-programa pretendido. O AV 711 só colocará à sua disposição os Pré-programas que estão sintonizados em estações, passando por cima dos Pré-programas vazios.

Usando o controlo remoto, carregue no botão BANK (CONJUNTO) e escolha o grupo do conjunto e carregue RESET (REAJUSTE) (botão + ou -)

COMO APAGAR PRÉ-PROGRAMAS

Comece por seleccionar a estação Pré-programada. Mantenha a tecla MEMORY pressionada e carregue na tecla FM MUTE/MODE. Nessa altura, o número do Pré-programa desaparecerá do Mostrador e o Pré-programa ficará vazio.

FUNÇÕES DE SLEEP (TEMPORIZADOR DE DESACTIVAÇÃO) E MUTE (SILENCIAMENTO)

As teclas para as funções SLEEP e MUTE só aparecem no telecomando.

SLEEP (TEMPORIZADOR DE DESACTIVAÇÃO)

Prima SLEEP para desligar automaticamente o seu AV 711 após um número pré-programado de minutos. Se carregar uma vez na tecla SLEEP, programará o tempo de desactivação para daí a 90 minutos, após os quais o AV 711 desligar-se-á automaticamente e passará para o modo 'Standby'. As indicações 'Sleep mode' (modo temporizador de desactivação) e 'Sleep delay' (retardamento do temporizador) surgem no Mostrador. Para ajustar o Retardamento do Temporizador, prima continuamente a tecla SLEEP. Deste modo, irá reduzir o tempo de desactivação em intervalos de 10 minutos, tal como surge indicado no Mostrador. Para cancelar o modo Temporizador de desactivação (Sleep), continue a carregar na tecla SLEEP até surgir no Mostrador o nome da fonte. Ao premir a tecla POWER, cancelará igualmente este modo.

MUTE (SILENCIAMENTO)

Prima a tecla MUTE para desligar temporariamente o som enviado para os altifalantes e auscultadores. Quando a unidade estiver no modo Silenciamento (MUTE), surgirá no Mostrador a indicação 'Audio Mute'. Prima de novo MUTE para ligar o som.

COMO INSTALAR O SISTEMA PERIMÉTRICO

Para darem o seu melhor, os níveis de saída das instalações perimétricas do seu AV 711 têm de estar ajustados de forma a existir um equilíbrio uniforme do som em todos os altifalantes do sistema. Tendo em conta a sua posição habitual de audição do sistema, é também necessário acertar o tempo de Retardamento para os altifalantes Perimétricos.

O ajustamento dos níveis dos altifalantes é levado a cabo utilizando as funções de ajustamento Test (Teste) e Speaker Level (Nível dos Altifalantes) no Telecomando.

É importante começar por estabelecer o correcto funcionamento em fase de todos os altifalantes no sistema. Certifique-se de que os terminais positivos (+) das saídas do amplificador estão ligados ao conector positivo (+) de cada um dos altifalantes.

Antes de iniciar o processo de instalação, certifique-se de que o Modo CENTER está correctamente regulado relativamente à configuração dos seus altifalantes. O comando TONE DEFEAT deverá estar em ON e o comando BALANCE regulado para a posição habitualmente utilizada para fontes estereofónicas (geralmente, a posição das 12 horas).

COMO UTILIZAR O COMANDO TESTE PARA INSTALAR OS NÍVEIS DO SISTEMA PERIMÉTRICO.

Com os altifalantes ligados e o VOLUME em zero, seleccione DOLBY PRO LOGIC MODE, DOLBY 3

STEREO e prima TEST no Telecomando. Isto irá originar um sinal de teste que, por sua vez, irá alimentar cada um dos canais dos altifalantes (esquerdo, central, direito e Dolby 3 Stereo), de forma a ser possível ajustar uma sonoridade idêntica para cada um tendo a conta a posição de audição do sistema. O Mostrador indicará qual o altifalante que está a ser alimentado com o sinal de teste.

Aumente o VOLUME até o sinal ficar moderadamente alto nos altifalantes esquerdo e direito. Quando o sinal de Teste alcançar o altifalante Central, prima as teclas CENTER VOLUME ▲ ou ▼ no Telecomando para ajustar a sonoridade do altifalante Central de modo a ficar condizente com os níveis que estão a ser produzidos pelos altifalantes esquerdo e direito. O nível relativo do canal Central é indicado no Mostrador, podendo ser alterado em passos dB. Abaixo os - 20db, os aumentos tornam-se progressivamente mais rudes.

Depois de terminar o ajustamento do nível do canal Central, o sinal de Teste continuará a alternar automaticamente entre os altifalantes. Caso não esteja contente com a sua montagem inicial, repita o procedimento até os níveis condizerem uns com os outros. Utilizando as teclas REAR VOLUME ▲ ou ▼ no Telecomando, repita a operação para regular o nível dos altifalantes perimétricos. Quando seleccionar os modos Dolby Pro Logic, o ajuste irá afectar o nível dos dois altifalantes vizinhos simultaneamente.

É possível conseguir um ajustamento mais preciso utilizando um medidor de nível do som, caso tenha um à sua disposição. Regule o medidor para os modos 'Slow' (Lento) e 'C-weighted' (C-pesado) e torne a inspeccionar os ajustes com o medidor colocado em diversas posições no recinto de audição geral do sistema.

Se utilizar um Sub-Woofer no sistema, ajuste o comando de nível do Sub-Woofer de modo a ficar audível, mas a não dominar o som. Mais tarde, utilizando material do programa, é possível afinar os níveis do Sub-Woofer.

COMO REGULAR O RETARDAMENTO PERIMÉTRICO.

Dado que, geralmente, os altifalantes Perimétricos estão mais próximos do ouvinte do que os altifalantes Dianteiros, há uma tendência maior para o ouvido localizar sons provenientes da parte de trás, porque o ouvido presta mais atenção aos sons que chegam primeiro à cabeça. Para resolver este problema, o circuito Dolby Pro Logic inclui um retardamento Perimétrico. Este garante que o som proveniente dos altifalantes perimétricos chegue sempre aos ouvidos do ouvinte depois do som dos altifalantes dianteiros.

A quantidade exacta de retardamento necessário depende das distâncias relativas entre os altifalantes

Dianteiros e perimétricos e da posição de audição do sistema na sala. Deste modo, comece por apontar a distância entre os altifalantes dianteiros e a zona de audição do sistema. Utilize o diagrama que se segue e tome nota do ponto onde as duas distâncias se interseccionam. Este ponto fornecerá o nível de Retardamento recomendado.

Para ajustar este nível, regule o seu AV 711 para o modo Dolby Pro Logic e prima DELAY no painel dianteiro ou no Telecomando. Mantenha DELAY premido até surgir no Mostrador o valor correcto.

Os ajustes de Nível e Retardamento ficam armazenados na memória do AV 711, sendo automaticamente chamados sempre que a unidade é ligada.

Para sua própria referência, utilize as caixas que se seguem para tomar nota dos seus níveis. Se estes forem acidentalmente alterados, é possível tornar a programá-los sem ter de efectuar de novo o procedimento do Teste.

TELECOMANDO

O Telecomando do RC711 contém todas as funções-chave do seu AV 711, apresentando ainda comandos adicionais para operar remotamente Cassetes NAD e máquinas de CD. Funcionará a uma distância máxima de 5 m.

O modo subsidiário e as funções de instalação correspondem a botões pretos. Os comandos Power (Potência) e Record (Gravação) (para um leitor de cassetes NAD associado) estão representados por botões vermelhos.

Consulte as secções prévias do manual para as descrições das funções individuais de cada um dos comandos.

- POWER** Regula o AV 711 entre On (Ligado) e (POTÊNCIA) Standby (Pronto a Funcionar)
- SURROUND MODE (MODO PERIMÉTRICO)** Selecciona os modos Dolby Pro Logic, Hall ou By-Pass.
- SLEEP (TEMPORIZADOR DE DESACTIVAÇÃO)** Regula o AV 711 para o modo SLEEP.
- TAPE 1 (GRAVADOR 1)** Selecciona Tape 1 como a entrada activa.
- TAPE 2 (GRAVADOR 2)** Selecciona Tape 2 monitor.
- TUNER (SINTONIZADOR)** Selecciona Tuner como a entrada activa.
- PHONO (PRATO GIRA-DISCOS)** Selecciona Phono como a entrada activa.
- CD** Selecciona CD como a entrada activa.

Data:	PERIMÉTRICO	CENTRO	RETARDAMENTO (ms)
DOLBY PRO LOGIC			
DOLBY 3 STEREO	—————		—————
HALL		—————	

- VIDEO1** Selecciona VIDEO1 como a entrada activa.
- VIDEO2** Selecciona VÍDEO 2 como a entrada activa.

**TUNER BANK
(BANCO SINTONIZADOR)**

- Selecciona um Banco Pré-programado de Sintonizador.
- PRESET ▲ ▼ (PRÉ-PROGRAMAR)**
Selecciona um Pré-programa de Sintonizador.

**CASSETTE DECK CONTROL
(COMANDO GRAVADOR DE CASSETE)**

(para utilizar com um Gravador de Cassetes NAD)

DECK A, DECK B

- Quando só estiver ligado um deck Gravador, utilize os comandos do Deck B
- ◀ Reverse Play (Leitura do lado reverso)
- ▶ Forward Play (Leitura do lado frontal)
- /|| Record & Pause (Gravação & Pausa)
- Stop (Paragem)
- ◀◀ Rewind (Rebobinagem)
- ▶▶ Fast Forward (Bobinagem Rápida)

**CD PLAYER CONTROL
(COMANDO LEITOR DE CD)**

(para utilizar com Leitor de CD NAD)

DISC (DISCO)

- Próximo disco. (para Alternadores de CD NAD)
- ▶ Play (Leitura)
- || Pause (Pausa)
- Stop (Paragem)
- I◀◀ Previous Track (Faixa Anterior)
- ▶▶I Next Track. (Próxima Faixa)

DELAY (RETARDAMENTO)

Para marcar o tempo de Retardamento.

TEST (TESTE)

Inicia o procedimento de Teste de Instalação do Sistema Perimétrico.

MUTE (SILENCIAMENTO)

Silencia todo o equipamento audio.

CENTER VOLUME

(VOLUME CENTRAL) ▲ ▼

Ajusta o nível relativo do altifalante de canal Central.

REAR VOLUME

(VOLUME TRASEIRO) ▲ ▼

Ajusta o nível relativo dos altifalantes Perimétricos.

VOLUME ▲ ▼

Aumenta ou diminui o nível do Volume, utilizando o comando Volume no painel dianteiro.

PILHAS

Para uma duração máxima de funcionamento, aconselhamos pilhas alcalinas. As duas pilhas AA (R6) encontram-se no compartimento das pilhas na

parte de trás do Telecomando. Ao substituir as pilhas, certifique-se de que estas são colocadas no modo correcto, exemplificado na base do compartimento das pilhas.

ANEXO

UM PEQUENO GUIA PARA O SOM PERIMÉTRICO.

A partir de meados dos anos 70, os estúdios de cinema começaram a fazer cada vez mais filmes em Dolby Stereo, o sistema de som perimétrico de quatro canais, disponível na maioria das salas de cinema dos nossos dias.

Felizmente, não é complicada a operação de passar a banda sonora de um filme em Dolby Stereo para um videogravador VHS, um Disco Laser ou um VÍDEO-CD, todos eles estereofónicos. Para uso doméstico, a banda sonora tem de ser convertida, sendo a versão doméstica do Dolby Stereo chamada Dolby Surround.

Hoje em dia, a maioria das cópias em vídeo dos filmes também contém estas informações perimétricas, originariamente concebidas para as salas de cinema. Tal como nos vídeos, o Dolby Surround tem sido utilizado em programas de TV e nos CDs de música, podendo todos estes ser descodificados utilizando o seu AV 711.

Ao contrário dos sistemas quadrafónicos que tentaram produzir sons extremamente precisos oriundos de todas as direcções, o Dolby Surround foi concebido para oferecer uma imagem dianteira clara, com os Perimétricos a encher a sala com som atmosférico.

Para obter o melhor resultado possível, os altifalantes Perimétricos não deverão direccionar o som directamente para o ouvinte. Um modo de consegui-lo é utilizando altifalantes Perimétricos 'bipolares', que direccionam o som para as paredes e não directamente para a sala. Uma alternativa consiste em utilizar pequenos altifalantes padrão com a função de Perimétricos, ainda que não os apontando directamente para a posição de audição do sistema. Vale sempre a pena experimentar os altifalantes Perimétricos em diversas posições para verificar qual é aquela que melhor funciona na sua sala.

DISPOSIÇÃO DOS ALTIFALANTES

A disposição dos altifalantes num sistema perimétrico Pro Logic desempenha um papel importante na performance do sistema.

ALTIFALANTES DIANTEIROS

Os altifalantes dianteiros deverão ser colocados com os altifalantes esquerdo e direito dos dois lados do écran de TV, a uma mesma distância. O altifalante central deverá ser colocado por debaixo ou sobre o écran da TV de forma a que o diálogo seja localizado e próximo da imagem da TV.

ALTIFALANTES PERIMÉTRICOS

Os altifalantes perimétricos são utilizados para criar

atmosferas difusas que enchem uma sala e não efeitos sonoros extremamente precisos. Os altifalantes perimétricos deverão ser instalados numa parede ou prateleira relativamente alta, quer nas paredes do lado quer na parede de trás ou quer ainda nos cantos traseiros da sala. É possível montar os altifalantes com a face virada para o lado ou para cima de modo a aumentar o efeito de difusão, fazendo o som ressaltar nas paredes e no tecto antes de alcançar o ouvinte.

SUB-WOOFER

Os sons de frequências muito baixas produzidos pelo sub-woofer são difíceis de localizar; assim, o sub-woofer pode ser colocado praticamente em qualquer ponto da sala. Se colocar os sub-woofers encostados às paredes ou nos cantos, aumentará a quantidade de graves produzidos na sala.

PORQUÊ TER UM ALTIFALANTE CENTRAL?

O decodificador Dolby Pro Logic produz três saídas separadas para os sinais Dianteiros - esquerda, central e direita. Na maioria das bandas sonoras, os efeitos sonoros e a música são difundidos através dos três canais dianteiros, embora o diálogo seja sobretudo alimentado apenas para o canal central.

Ao utilizar um altifalante separado de canal central, vai ser possível ter um diálogo que atravesse mesmo os maiores efeitos sonoros e trechos musicais. Ao ter o som difundido através de três altifalantes dianteiros, a imagem estereofónica também estabiliza, tornando muito maior o recinto utilizável de audição do sistema.

Se utilizar o seu AV 711 com apenas dois altifalantes dianteiros, ao regular o modo CENTER para PHANTOM irá passar as informações centrais para ambos os altifalantes esquerdo e direito. Isto irá criar a impressão de uma fonte de som do canal central.

Para obter o melhor resultado possível, considere a possibilidade de utilizar um altifalante central. Em termos ideais, deverá ser do mesmo tipo dos altifalantes esquerdo e direito, apesar de, actualmente, existirem muitos altifalantes novos, como o NAD 808CC, especificamente concebidos como um canal central adicional para sistemas estereofónicos já existentes.

ATENÇÃO: Certifique-se de que qualquer altifalante que utilize perto de uma TV ou de um écran é de um tipo magneticamente protegido (ver manual de instruções do altifalante). Quando usados demasiado próximos de uma TV ou de um écran, os altifalantes não-protegidos podem causar distorções na cor da imagem da televisão. (Regra geral, não é possível modificar um altifalante desprotegido de forma a poder trabalhar muito perto da TV ou de um écran).

PORQUÊ TER UM SUB-WOOFER?

As bandas sonoras de muitos filmes dependem bastante dos efeitos sonoros de frequências muito baixas, difíceis de serem reproduzidos pelos altifalantes habituais de alta-fidelidade. Para reproduzir fielmente estas frequências baixas, utilize um altifalante de baixa frequência especialmente concebido, com o seu próprio amplificador incorporado. Dado que é difícil ouvir de que direcção é que vêm as fre-

quências muito baixas, normalmente necessitará apenas de um sub-woofer, podendo este último ser colocado praticamente em qualquer ponto da sala. A saída SUBWOOFER do AV 711 é especificamente concebida para activar um sistema de sub-woofer.

FUNCIONAMENTO EM FASE DOS ALTIFALANTES

Numa sala de projecções doméstica, é importante que os três altifalantes dianteiros operem todos “em fase” quando comparados uns com os outros. Uma ligação em fase incorrecta produzirá uma pobre imagem estereofónica e uma falta aparente de graves. Se estiver a utilizar altifalantes de um mesmo fabricante e amplificadores de energia de um mesmo fabricante, para assegurar um correcto funcionamento em fase de todo o sistema, basta certificar-se de que todos os conectores vermelhos + nas saídas do amplificador de energia estão ligados ao conector vermelho + no altifalante.

Se estiver a utilizar uma combinação de amplificadores ou altifalantes de fabricantes diferentes, ou a utilizar os amplificadores no modo de funcionamento em ‘ponte’, é possível inverter internamente a ligação em fase em alguns dos amplificadores ou altifalantes. Deste modo, terá de se certificar do correcto funcionamento em fase através da audição do sistema.

Para se certificar, através da audição, do funcionamento em fase, coloque o AV 711 em DOLBY PRO LOGIC e MUTE OFF, e seleccione uma estação de rádio em FM. Isto dar-lhe-á o mesmo som nos três altifalantes dianteiros. Desligue os altifalantes perimétricos e o altifalante dianteiro da direita. Deverá ouvir uma imagem sonora estável, como se proviesse de um único ponto entre os altifalantes dianteiros esquerdo e central. Se os sons do sinal se difundirem, dando a impressão de não provirem de um único ponto no espaço, inverta as ligações ao altifalante central. De seguida, o sinal deverá dar a impressão de provir de um único ponto entre os altifalantes esquerdo e central.

Torne a ligar o altifalante dianteiro da direita e desligue o altifalante dianteiro da esquerda. Repita o processo com os altifalantes dianteiros central e direito, alterando apenas a ligação no altifalante direito caso o funcionamento em fase tenha de ser corrigido. Regra geral, se tiverem sido correctamente ligados, os perimétricos estarão ligados em fase uns com os outros.

Não existe norma alguma respeitante ao funcionamento relativo em fase entre os altifalantes dianteiros e o par de altifalantes perimétricos ou o Sub-Woofers (se utilizado). Ao ligar estes últimos, utilizando o conector vermelho + que vai do amplificador ao conector vermelho + nos altifalantes, deverá produzir o resultado correcto. No entanto, em algumas salas, a inversão das ligações pode produzir um aumento significativo da resposta dos graves ou uma melhoria da imagem estereofónica global. Deste modo, experimente inverter as ligações em ambos os perimétricos ou inverter as ligações ao sub-woofer.

EXEMPLOS DO SISTEMA

O AV 711 pode ser utilizado no coração de uma vasta gama de sistemas de som perimétricos. Apresentamos de seguida duas configurações possíveis de sistemas: uma básica e uma outra avançada.

UMA INSTALAÇÃO SIMPLES UTILIZANDO O AV 711

Este sistema utiliza o AV 711 com altifalantes dianteiros e perimétricos de um vídeo, gira-discos, leitor de CD, gravador de cassetes e TV, todos eles estereofónicos, como o NAD 805CR.

O gira-discos, o leitor de CD e o Gravador de cassetes estão ligados a CD e TAPE 1 (IN & OUT, ou seja, ENTRADAS & SAÍDAS) respectivamente.

O vídeo gravador está ligado a VIDEO2, já que será utilizado apenas para leitura através do sistema, estando o sintonizador interno do vídeogravador a cargo da gravação vídeo

A Entrada de Linha de Vídeo da TV está ligada a MONITOR.

Dado que existem Perimétricos mas nenhum Altifalante de Canal Central, regule o modo CENTRE para PHANTOM.

UMA INSTALAÇÃO MAIS COMPLEXA UTILIZANDO O AV 711

Esta instalação utiliza o AV 711 como a peça central de uma sofisticada sala de projecções doméstica. Para além das fontes de equipamento audio padrão, este sistema tem também um vídeogravador, um leitor de Discos Laser ou uma consola de jogos ligadas como fontes A/V. A saída MONO (MONOFONIA) está ligada a um sub-woofer de auto-alimentação. O AV 711 está ainda ligado a um segundo sistema audio numa outra sala.

O gira-discos, o leitor de CD e o Gravador de cassetes estão ligados a CD e TAPE 1 (IN & OUT, ou seja, ENTRADAS & SAÍDAS) respectivamente.

Os Discos Laser/consola de Jogos estão ligados às entradas VÍDEO 1 audio e vídeo (apenas para reprodução).

O vídeo gravador está ligado ao VCR2, que tem INPUTS (ENTRADAS) e OUTPUTS (SAÍDAS) de audio/vídeo que permitem a gravação de outras fontes de vídeo.

A saída TAPE 2 está ligada, por meio dos cabos para gira-discos de alta qualidade, à Entrada Aux no sistema de alta-fidelidade na segunda sala, alimentando, assim, um sistema de alta-fidelidade na segunda sala, que utiliza a ligação NAD-Link do amplificador para enviar informações por controlo remoto de volta para o AV-917. O conector de saída NAD-Link OUT no segundo amplificador de alta-fidelidade está ligado à entrada NAD-Link IN no AV 711, de forma a poder ser controlado remotamente a partir da segunda sala.

A Entrada de Linha de Vídeo da TV está ligada a MONITOR.



LOCALIZAÇÃO E RESOLUÇÃO DE PROBLEMAS

SINTOMA	CAUSA POSSIVEL
Nenhum som	<p>Cabo de alimentação CA desligado ou alimentação cortada. <i>Verifique cabo CA.</i></p> <p>Tape Monitor ligado. <i>Desseleccionar o modo Tape Monitor.</i></p> <p>Altifalantes não seleccionados. <i>Selecione altifalantes A ou B.</i></p> <p>Modo Mute (Silenciamento) ligado. <i>Desligue Mute.</i></p> <p>Fusível interno fundido. <i>Consulte revendedor.</i></p>
Nenhum som de um canal	<p>Comando Balance (Balanço) não centrado. <i>Centre comando Balance (Balanço).</i></p> <p>Altifalante incorrectamente ligado ou danificado. <i>Verifique ligações e altifalantes.</i></p> <p>Cabos de entrada ou de altifalantes desligados ou danificados. <i>Verifique cabos e ligações.</i></p>
Não funcionamento dos modos DOLBY PRO LOGIC HALL	<p>Altifalante B seleccionado. <i>Selecione conjunto de Altifalantes A.</i></p>
Nenhum som nos canais perimétricos	<p>Não foi seleccionado nenhum modo perimétrico. <i>Selecione modos Dolby Pro Logic ou Hall.</i></p> <p>Fonte do som está em Mono (Monofonia). <i>Sistema de teste com material conhecido estereofónico ou em Dolby Surround.</i></p> <p>Altifalantes incorrectamente ligados ou danificados. <i>Verifique altifalantes e ligações.</i></p> <p>Nível perimétrico regulado para muito baixo. <i>Aumente nível perimétrico.</i></p>
Nenhum som nos canais centrais	<p>O modo Phantom Centre foi seleccionado. <i>Selecione modos Normal ou Wide.</i></p> <p>O modo By-Pass foi seleccionado. <i>Selecione modos Dolby Pro-Logic ou Hall.</i></p> <p>Nível do Centre regulado para muito baixo. <i>Aumente nível do Centre.</i></p>
Graves fracos/ imagem estereofónica difusa	<p>Altifalantes não estão ligados em fase. <i>Verifique ligações a todos os altifalantes no sistema.</i></p>
Posição do sinal de teste não condiz indicador do sinal de teste aceso	<p>Altifalantes ligados às saídas erradas. <i>Verifique ligações a todos os canais de amplificadores e altifalantes.</i></p>
Telecomando NÃO funciona	<p>Pilhas sem carga ou inseridas incorrectamente. <i>Verifique ou substitua as pilhas.</i></p> <p>Janela receptora ou transmissor IR obstruída. <i>Remover obstrução.</i></p>
Ruído no sintonizador	<p>Zumbido - Sinal fraco. <i>Verifique sintonização da estação. Ajuste ou substitua antena.</i></p> <p>Distorção - Sinais múltiplos. <i>Verifique sintonização da estação. Ajuste ou substitua antena.</i></p> <p>Assobios ou zumbidos em FM & AM: Interferência de outras fontes eléctricas - computadores, consolas de jogos. <i>Verifique sintonização da estação. Desligue ou desloque a fonte do ruído eléctrico.</i></p> <p>Assobios ou zumbidos em AM: Interferência de luzes fluorescentes ou motores eléctricos. <i>Verifique sintonização da estação. Ajuste ou substitua antena AM.</i></p>

SPECIFICATIONS - NAD AV 711

Power Amplifier Section

Power Output into 8 Stereo Mode	40 W
(Min. power per channel, 20Hz-20kHz, both channels driven, with no more than rated distortion)	
Front L/R and Center Channels	40W
Rear Channels	20W + 20W
Dynamic power output (Front)	8 ohms: 60W 4 ohms: 90W
Continuous Power output	8 ohms: 40W 4 ohms: 40W
THD 20Hz-20kHz	0.08 % (Front)
IM distortion	0.08% (Front)
Damping factor	60 at 8 (Front)
Input sensitivity and Impedance	Line: 150mV, 47k ohms Video: 1Vp-p, 75 ohms
Output level and Impedance	Subwoofer: 1V, 2.2k ohms Video: 1Vp-p, 75 ohms
Frequency response 5Hz to 50kHz	±0.8dB
Tone control	Bass: ±8dB at 100Hz Treble: ±8dB at 10kHz
Signal/Noise ratio, A weighted	CD/Tape: 95dB
Muting:	-60dB

FM Tuner Section

Usable Sensitivity 75 ohms IHF	Mono: 13.5dBf, 1.3µV
50dB Quieting Sensitivity 75	Mono: 18.2 dBf, 2.2µV Stereo: 38.2 dBf, 22µV
Capture ratio	2.0dB
Signal to Noise Ratio (IHF)	Mono: 73dB Stereo: 67dB
Alternate channel attenuation	Mono: 55dB (IHF)
Selectivity DIN ±300kHz, 40kHz Devi.	50dB
AM Suppression ratio	50dB
THD	Mono: 0.2% Stereo: 0.4%
Frequency Response 30-15kHz	±1.5dB
Stereo Separation	45dB at 1kHz 30dB at 100-10kHz

AM Tuner Section

Usable Sensitivity	30µV
Image rejection ratio	40dB
IF rejection ratio	40dB
Signal to Noise ratio (IHF)	40dB
THD	0.7%

Remote Control

Power, Master Volume Up/Down, Mute, Sleep, Surround Mode, Delay Time, Test Tone, Center Volume Up/Down, Rear Volume Up/ Down, Input Selector (CD, Aux, Tuner, Tape 1, Tape 2, Video 1, Video 2)
Deck A/B: (Play, Reverse Play, Stop, Record/Pause, Fast Forward, Rewind)
CD: (Play, Pause, Stop, Disc, Skip Forward/Back)
Tuner: (Bank, Preset Up/Down)

Physical Specification

Dimensions in mm (W x H x D)	435 x 147 x 331
Net weight	8.4kg
Shipping weight	9.8kg